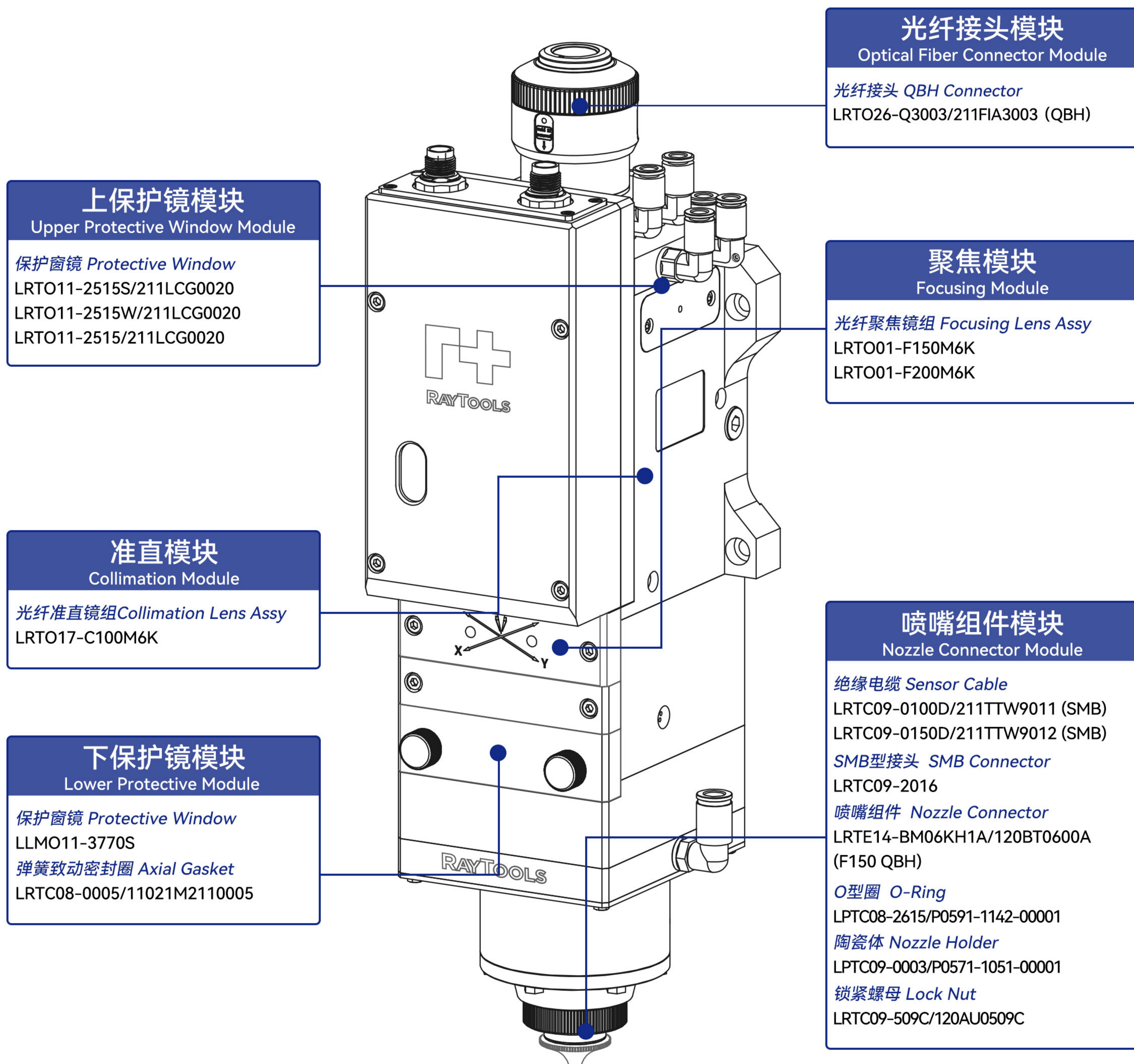
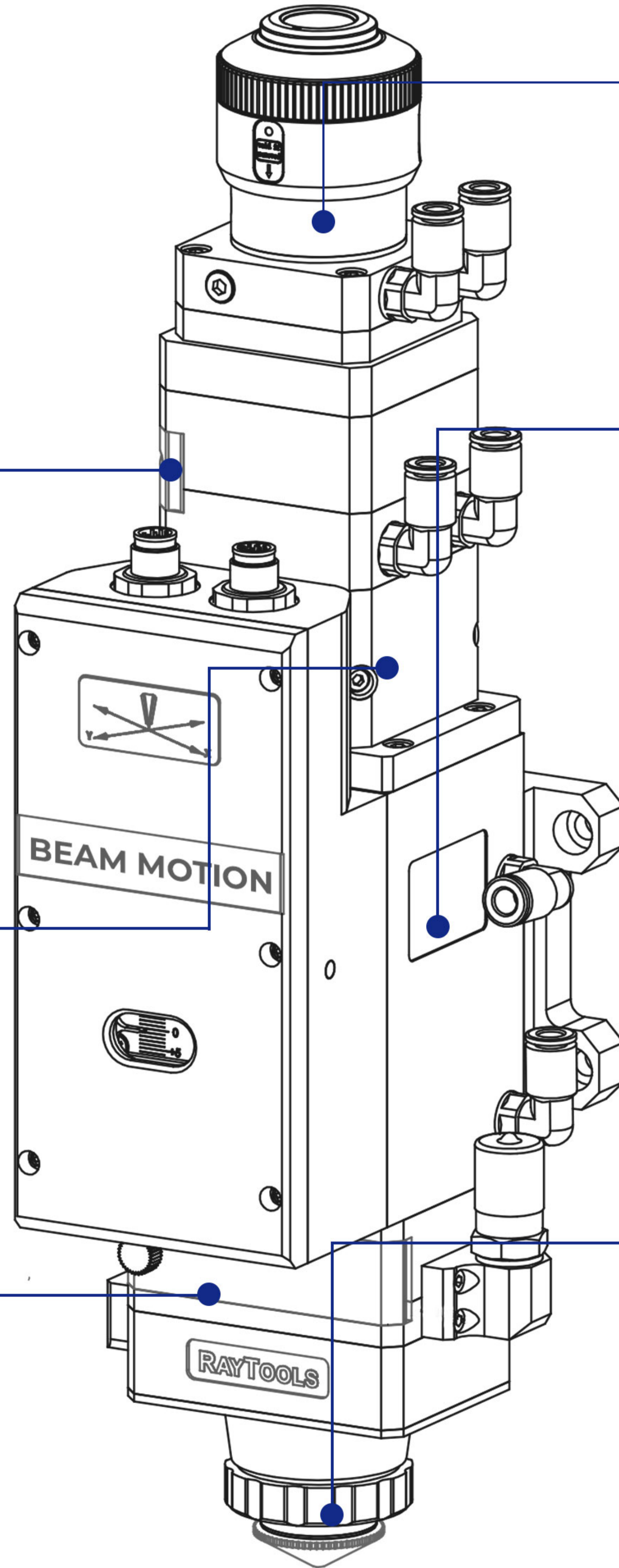


BM06K



BM110



上保护镜模块

Upper Protective Window Module

弹簧致动密封圈 Axial Gasket
LRTC08-2920/11021M120051
保护窗镜 Protective Window
LRT011-2515S/211LCG0020
LRT011-2515W/211LCG0020
LRT011-2515/211LCG0020
铁氟龙垫密封垫圈 Axial Gasket
LRTC08-2925/120AG0308A

准直模块

Collimation Module

光纤准直镜组 Collimation Lens Assy
LRT017-C100M1L/120AG0600A

下保护镜模块

Lower Protective Module

铁氟龙垫密封垫圈 Axial Gasket
LRTC08-2925/120AG0308A
保护窗镜 Protective Window
LLMO11-2840S/212YFS0016
LLMO11-2840/211LCG0035
弹簧致动密封圈 Axial Gasket
LRTC08-3224/11021M2110007

光纤接头模块

Optical Fiber Connector Module

光纤接头 QBH Connector
LRT026-Q3003/211FIA3003
(QBH 水冷/With Water Cooling)

聚焦模块

Focusing Module

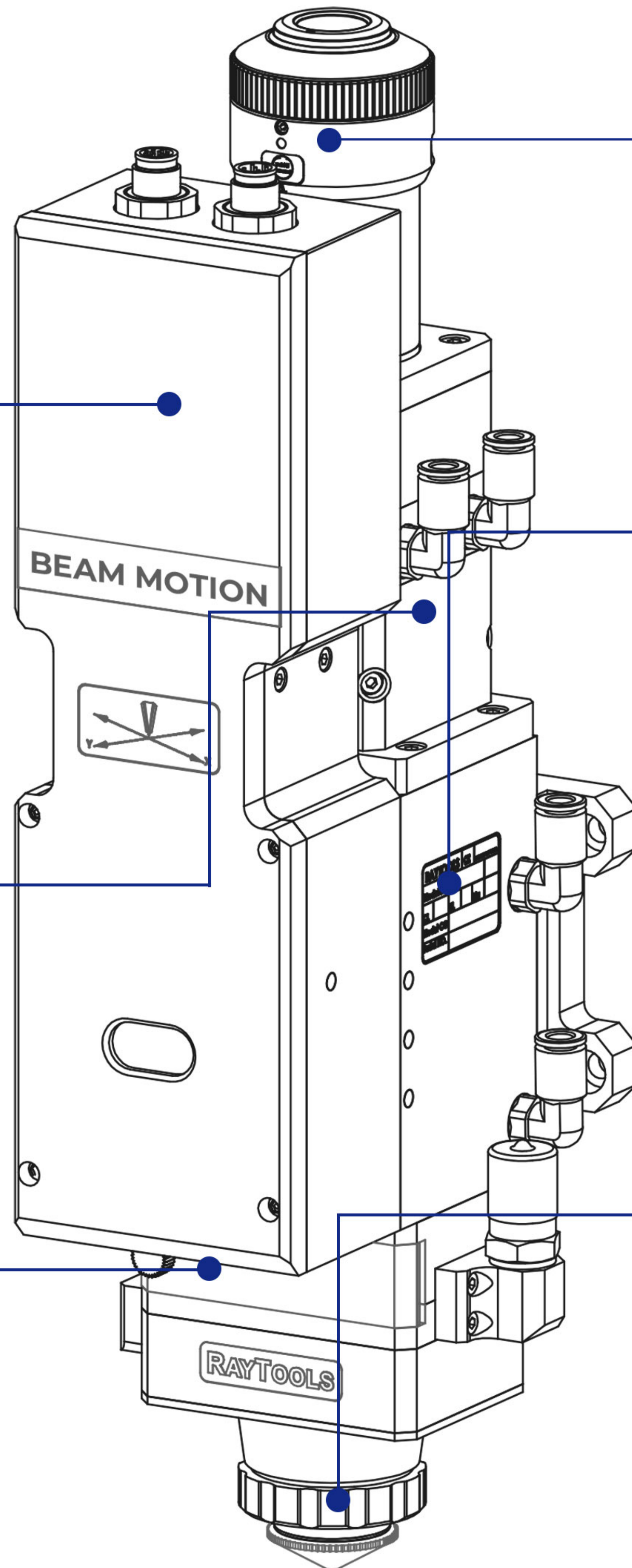
光纤聚焦镜组 Focusing Lens Assy
LRT001-F125M1L/120AG0700A
LRT001-F155M1L/120AG0800A
弹簧致动密封圈 Axial Gasket
LRTC08-3224/11021M2110007

喷嘴组件模块

Nozzle Connector Module

绝缘电缆 Sensor Cable
LRTC09-0100D/211TTW9011 (SMB)
LRTC09-0150D/211TTW9012 (SMB)
LLMC09-0100D/211TTW9004 (SMA)
LLMC09-0150D/211TTW9002 (SMA)
SMB型接头 SMB Connector
LRTC09-2016
SMA型接头 SMA Connector
LLMC09-SMA/71800009
喷嘴组件 Nozzle Connector
LRTE14-BM110A2/120510200A
(老款/Old Type)
LRTE14-BMH110A/120AY0300B
(海目星版/Hymson)
LRTE14-BM111A/120AG1700B
(新款/New Type)
LRTE14-BM109TA/120800100B (3D)
LRTE14-BM112TA/120576000A (3D)
O型圈 O-Ring
LRTC08-2815
陶瓷体 Nozzle Holder
LRTC09-0240/120274100B(2D)
LRTC09-0141/120572008B(3D)
锁紧螺母 Lock Nut
LRTC09-336A/120610336A (2D)
LRTC09-004B/120572004B (3D)

BM111



上保护镜模块

Upper Protective Window Module

弹簧致动密封圈 Axial Gasket
LRTC08-2920/11021M120051
保护窗镜 Protective Window
LRTO11-2515S/211LCG0020
LRTO11-2515W/211LCG0020
LRTO11-2515/211LCG0020
铁氟龙垫密封垫圈 Axial Gasket
LRTC08-2925/120AG0308A

准直模块

Collimation Module

光纤准直镜组 Collimation Lens Assy
LRTO17-C075M1L/120AG0610A(C75)
LRTO17-C100M1L/120AG0600A(C100)

下保护镜模块

Lower Protective Module

铁氟龙垫密封垫圈 Axial Gasket
LRTC08-2925/120AG0308A
保护窗镜 Protective Window
LLMO11-2840S/212YFS0016
LLMO11-2840/211LCG0035
弹簧致动密封圈 Axial Gasket
LRTC08-3224/11021M2110007

光纤接头模块

Optical Fiber Connector Module

光纤接头 QBH Connector
LRTO26-Q1001/211FIA1001
(QBH 非水冷/QBH Without Water Cooling)
LRTO26-Q3003/211FIA3003
(QBH 水冷/QBH With Water Cooling)
LRTO26-Q0003/211FIA0003 (QD)

聚焦模块

Focusing Module

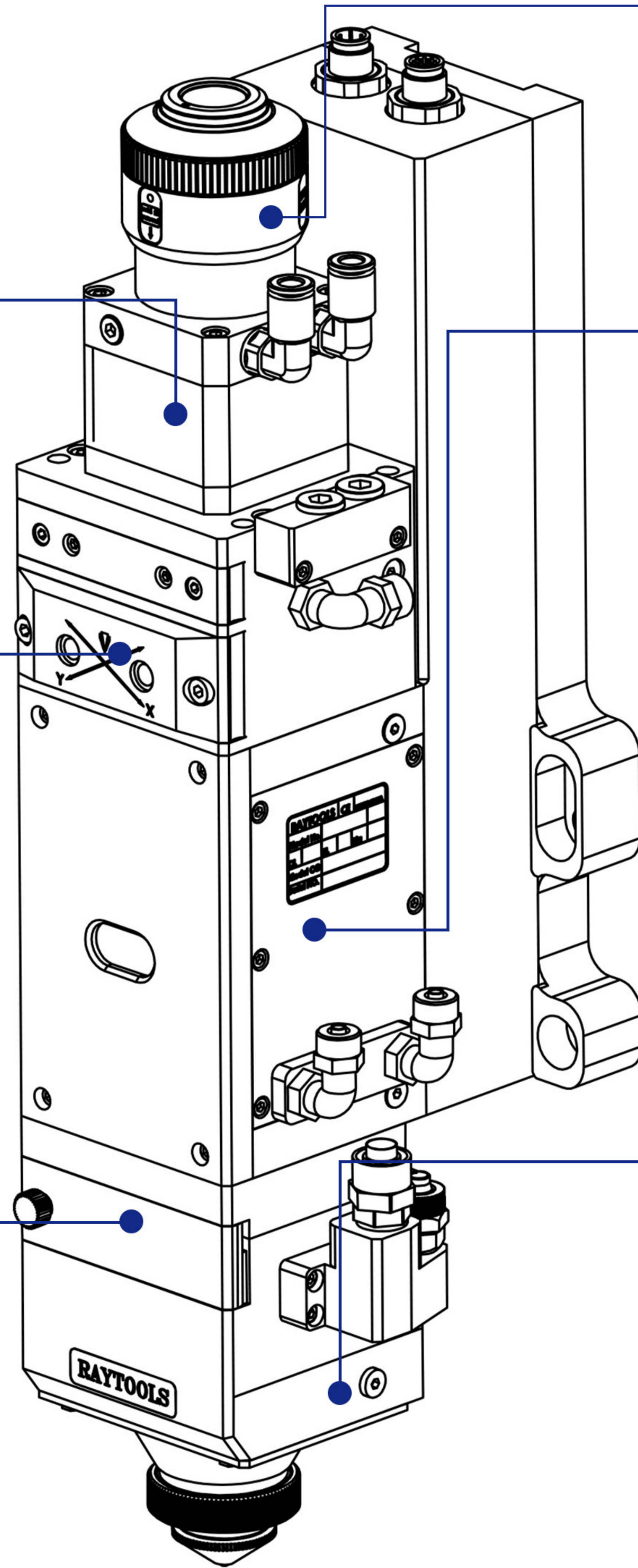
光纤聚焦镜组 Focusing Lens Assy
LRTO01-F125M1L/120AG0700A(F125)
LRTO01-F155M1L/120AG0800A(F155)
LRTO01-F200M1L/120AG1400A(F200)

喷嘴组件模块

Nozzle Connector Module

绝缘电缆 Sensor Cable
LRTC09-0100D/211TTW9011 (SMB)
LRTC09-0150D/211TTW9012 (SMB)
LLMC09-0100D/211TTW9004 (SMA)
LLMC09-0150D/211TTW9002 (SMA)
SMB型接头 SMB Connector
LRTC09-2016
SMA型接头 SMA Connector
LLMC09-SMA/71800009
喷嘴组件 Nozzle Connector
LRTE14-BM111A/120AG1700B (2D)
LRTE14-BM109TA/120800100B (3D)
O型圈 O-Ring
LRTC08-2815
陶瓷体 Nozzle Holder
LRTC09-0240/120274100B(2D)
LRTC09-0141/120572008B(3D)
锁紧螺母 Lock Nut
LRTC09-336A/120610336A
LRTC09-004B/120572004B (3D)

BM114/BM114S



上保护镜模块

Upper Protective Window Module

弹簧致动密封圈 Axial Gasket
LRTC08-0005/11021M2110005
保护窗镜 Protective Window
LRT011-3815S

准直模块

Collimation Module

光纤准直镜组 Collimation Lens Assy
LRT017-C100M4P/120A32700A (4KW)

下保护镜模块

Lower Protective Module

保护窗压环 Clamping ring
LRTC08-0308C/120A30308C
铁氟龙密封垫圈 Axial Gasket
LRTC08-0317B/120A30317B
保护窗镜 Protective Window
LLMO11-3770S
弹簧致动密封圈 Axial Gasket
LRTC08-0005/11021M2110005

光纤接头模块

Optical fiber connector Module

光纤接头 QBH Connector
LRT026-Q1003/211FIA1003 (QBH)
LRT026-Q3003/211FIA3003 (QBH)

聚焦模块

Focusing Module

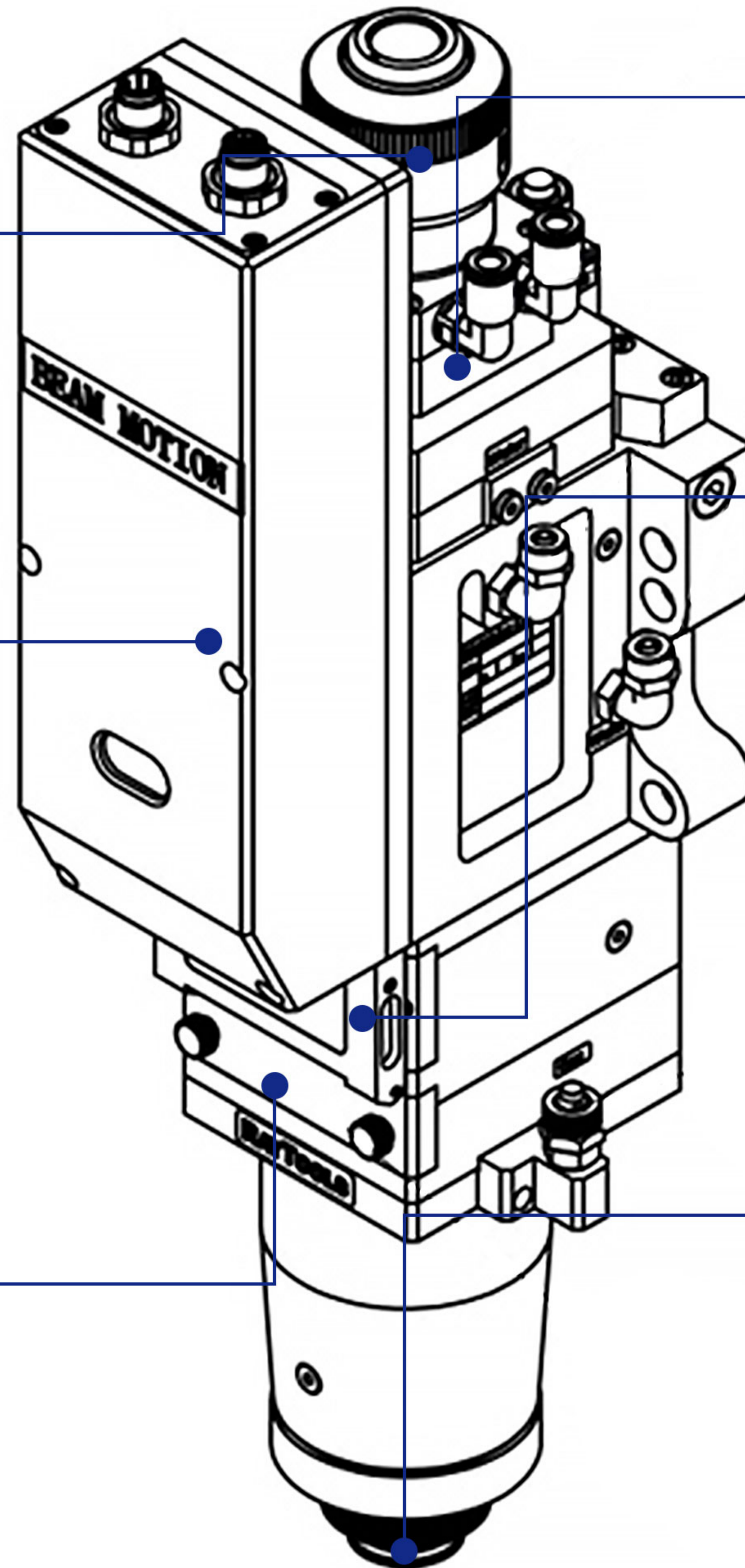
光纤聚焦镜组 Focusing Lens Assy
LRT001-F150M4P/120A30700A
(D37-F150)
LRT001-F200M4P/120A30800A
(D38.1-F200)
LRT001-F200M4T/120BH1006A
(D37-F200)
LRT001-F200M4S/120BH1008A
(D37-F200)

喷嘴组件模块

Nozzle Connector Module

绝缘电缆 Sensor Cable
LRTC09-0100D/211TTW9011 (SMB)
LRTC09-0150D/211TTW9012 (SMB)
LLMC09-0100D/211TTW9004 (SMA)
LLMC09-0150D/211TTW9002 (SMA)
SMB型接头 SMB Connector
LRTC09-2016
SMA型接头 SMA Connector
LLMC09-SMA/71800009
喷嘴组件 Nozzle Connector
LRTE14-BM114A/120BH0400C
(BM114 D28)
LRTE14-BM114SA/120A32000A
(BM114S 不带O型圈/Without O-ring)
LRTE14-BM114SA2/120A30300D
(BM114S 带O型圈/With O-ring)
LRTE14-BM109TA/120800100B(3D)
O型圈 O-Ring
LPTC08-2615/P0591-1142-00001
LRTC08-2815
陶瓷体 Nozzle Holder
LPTC09-0003/P0571-1051-00001
LRTC09-0240/120274100B
LRTC09-0141/120572008B(3D)
锁紧螺母 Lock Nut
LRTC09-509C/120AU0509C (BM114)
LRTC09-336A/120610336A (BM114S)
LRTC09-004B/120572004B (3D)

BM115/BM115S



光纤接头模块

Optical Fiber Connector Module

光纤接头 QBH Connector

LRTO26-Q3003/211FIA3003 (QBH)

准直模块

Collimation Module

光纤准直镜组 Collimation Lens Assy

LRTO17-C100M5P/120AU4000A (C100)

下保护镜模块

Lower Protective Module

保护窗压环 Clamping ring

LRTC08-0308C/120A30308C

铁氟龙密封垫圈 Axial Gasket

LRTC08-0317B/120A30317B

保护窗镜 Protective Window

LLMO11-3770S

弹簧致动密封圈 Axial Gasket

LRTC08-0005/11021M2110005

上保护镜模块

Upper Protective Window Module

弹簧致动密封圈 Axial Gasket

LRTC08-0005/11021M2110005

保护窗镜 Protective Window

LRT011-3815S

聚焦模块

Focusing Module

光纤聚焦镜组 Focusing Lens Assy

LRTO01-F150M5P/120A30700A

LRTO01-F150M5T

(带保护镜片/With PW)

LRTO01-F200M5P/120AU4200A

LRTO01-F200M5T

(带保护镜片/With PW)

喷嘴组件模块

Nozzle Connector Module

绝缘电缆 Sensor Cable

LRTC09-0100D/211TTW9011 (SMB)

LRTC09-0150D/211TTW9012 (SMB)

SMB型接头 SMB Connector

LRTC09-2016

喷嘴组件 Nozzle Connector

LRTE14-BM115SA/120AU1500A
(BM115S M14)

LRTE14-BM115SA2/120AU0500A
(BM115S M11)

LRTE14-BM115A/120AU2300A
(BM115 F150)

LRTE14-BM115A2/120AU2100A
(BM115 F200)

O型圈 O-Ring

LRTC08-2815

陶瓷体 Nozzle Holder

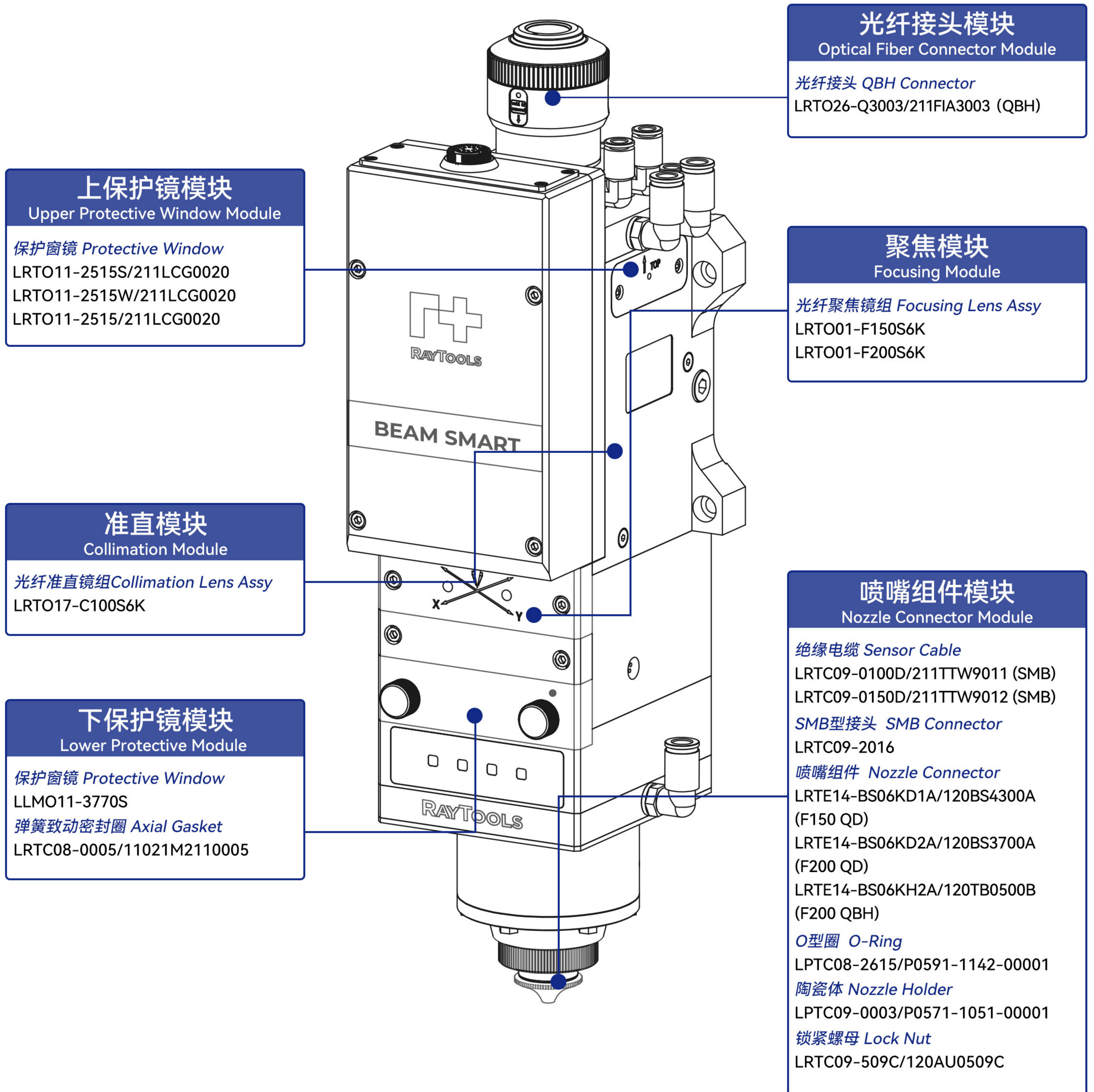
LRTC09-0240/120274100B

锁紧螺母 Lock Nut

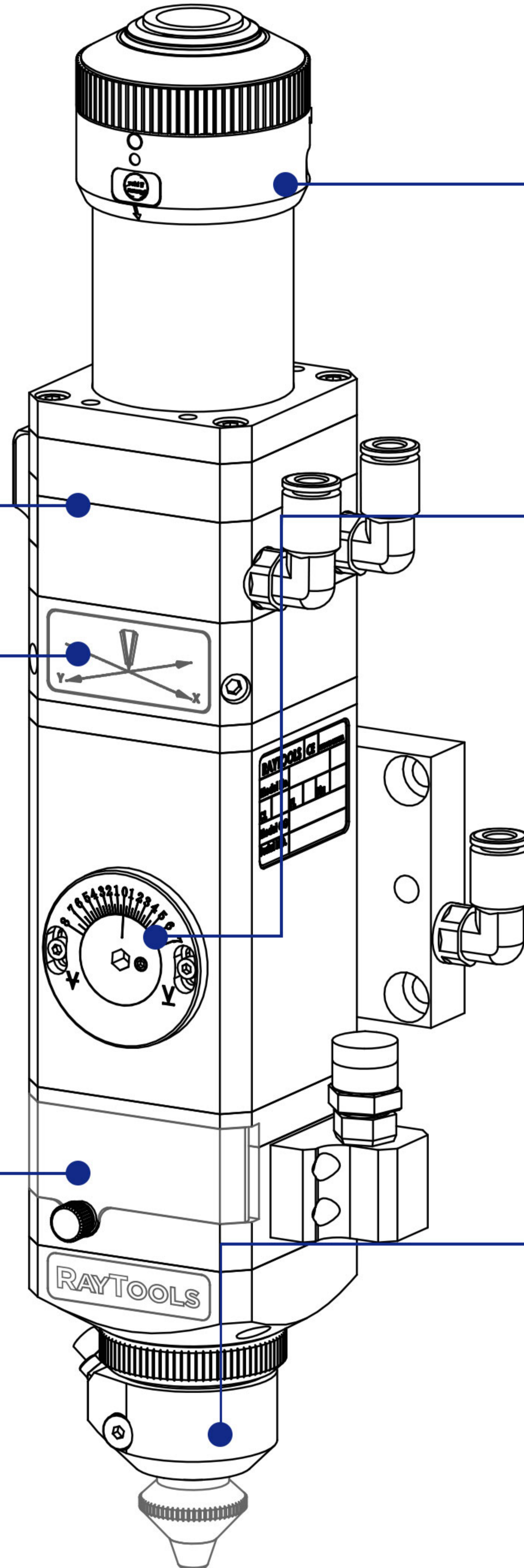
LRTC09-509A/120AU0509A (BM115)

LRTC09-336A/120610336A (BM115S)

BS06K



BT210/BT210S



光纤接头模块

Optical Fiber Connector Module

光纤接头 QBH Connector

LRT026-Q1001/211FIA1001(QBH)

上保护镜模块

Upper Protective Window Module

保护窗镜 Protective Window

LRT011-2515S/211LCG0020

弹簧致动密封圈 Axial Gasket

LRTC08-2920/11021M120051

聚焦模块

Focusing Module

光纤聚焦镜组 Focusing Lens Assy

LRT001-F125B3D/210FLA3031 (F125)

准直模块

Collimation Module

光纤准直镜组 Collimation Lens Assy

LRT017-C100M9D/120AH0600A(C100)

下保护镜模块

Lower Protective Module

O型圈 O-Ring

LRTC08-3732

保护窗镜 Protective Window

LLMO11-2840S/212YFS0016

LLMO11-2840*/211LCG0035

弹簧致动密封圈 Axial Gasket

LRTC08-3224/11021M2110007

喷嘴组件模块

Nozzle Connector Module

绝缘电缆 Sensor Cable

LLMC09-0100D/211TTW9004 (SMA)

LLMC09-0150D/211TTW9002 (SMA)

SMA型接头 SMA Connector

LLMC09-SMA/71800009

喷嘴组件 Nozzle Connector

LLME14-BT210A

(2D 铝件/2D Aluminium Part)

LLME14-BT210SA/211TRA0424

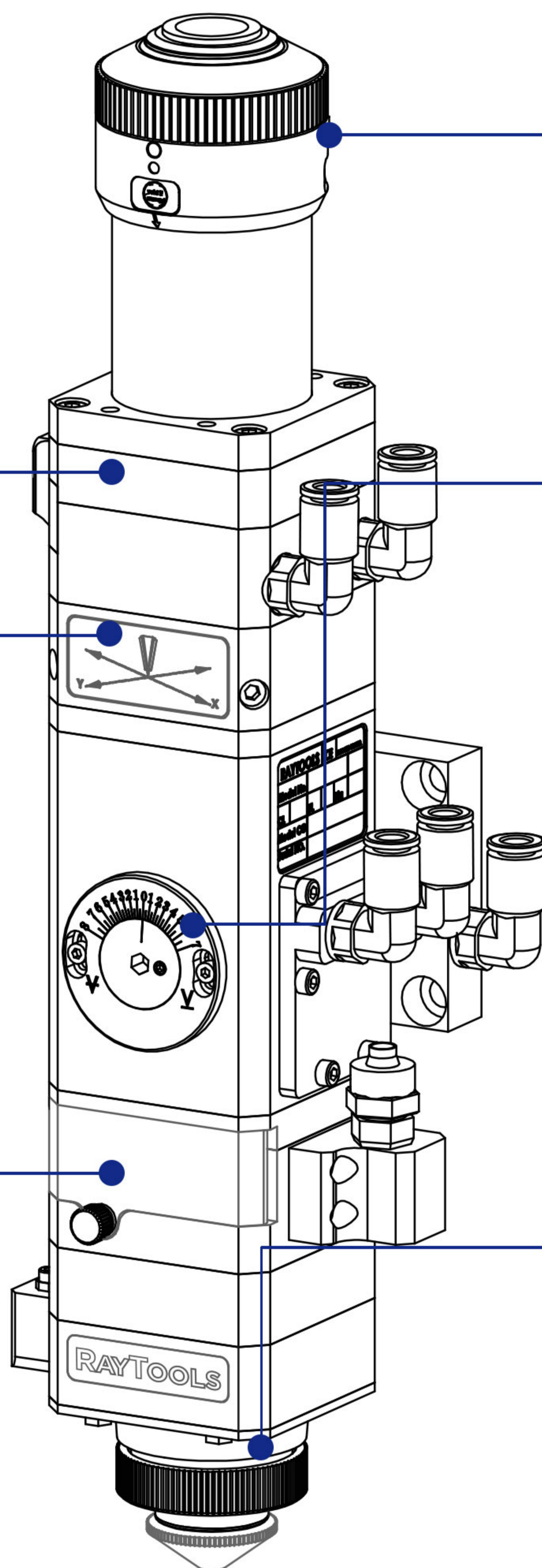
(2D 不锈钢件/2D Stainless Steel Part)

LRTE14-BM112TA/120576000A (3D)

固定螺母 Tip retainer nut

LLMC09-3021/2110328008B

BT220



上保护镜模块

Upper Protective Window Module

保护窗镜 *Protective Window*
LRT011-2515S/211LCG0020
弹簧致动密封圈 *Axial Gasket*
LRTC08-2920/11021M120051

准直模块

Collimation Module

光纤准直镜组 *Collimation Lens Assy*
LRT017-C100M9D/120AH0600A(C100)

下保护镜模块

Lower Protective Module

O型圈 *O-Ring*
LRTC08-3732
保护窗镜 *Protective Window*
LLMO11-2840S/212YFS0016
LLMO11-2840*/211LCG0035
弹簧致动密封圈 *Axial Gasket*
LRTC08-3224/11021M2110007

光纤接头模块

Optical Fiber Connector Module

光纤接头 *QBH Connector*
LRT026-Q1001/211FIA1001 (QBH)
LRT026-Q3003/211FIA3003
(QBH 水冷/QBH With Water Cooling)

聚焦模块

Focusing Module

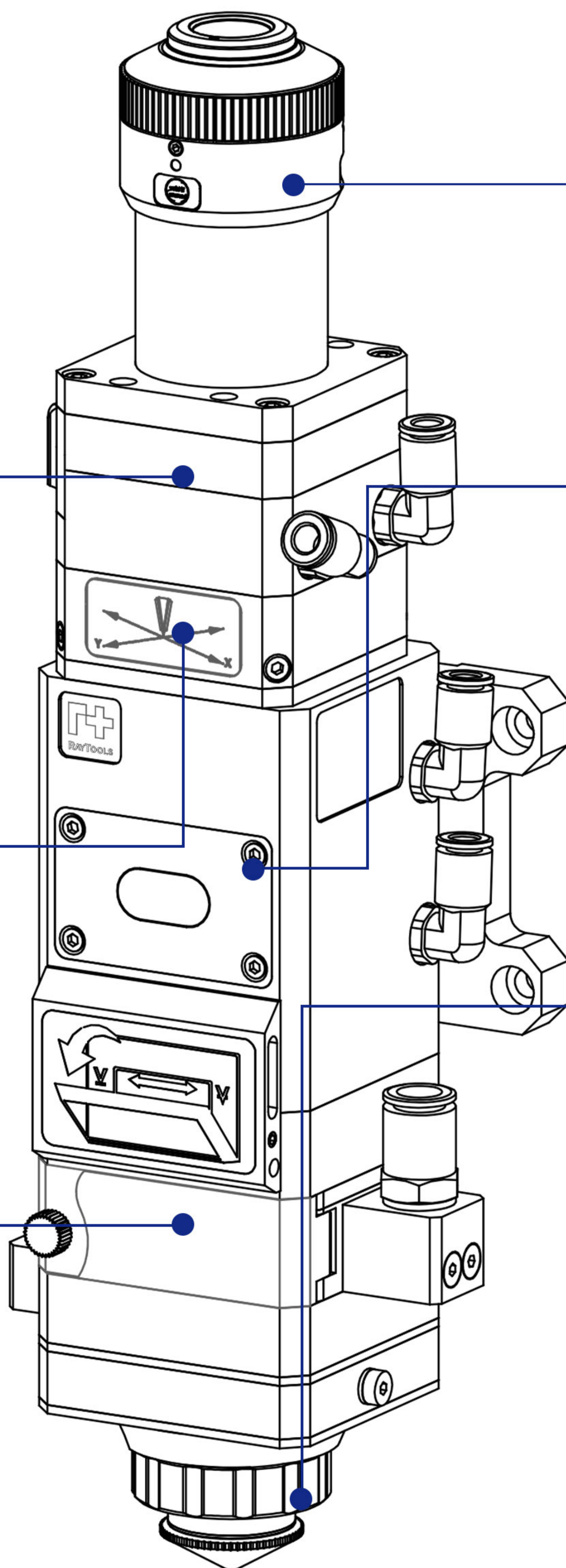
光纤聚焦镜组 *Focusing Lens Assy*
LRT001-F125B3D/210FLA3031 (F125)

喷嘴组件模块

Nozzle Connector Module

绝缘电缆 *Sensor Cable*
LRTC09-0100D/211TTW9011 (SMB)
LRTC09-0150D/211TTW9012 (SMB)
LLMC09-0100D/211TTW9004 (SMA)
LLMC09-0150D/211TTW9002 (SMA)
SMB型接头 *SMB Connector*
LRTC09-2016
SMA型接头 *SMA Connector*
LLMC09-SMA/71800009
喷嘴组件 *Nozzle Connector*
LRTE14-BT220A/120576500A (2D)
LRTE14-BM109TA/120800100B (3D)
O型圈 *O-Ring*
LPTC08-2615/P0591-1142-00001
陶瓷体 *Nozzle Holder*
LPTC09-0003/P0571-1051-00001 (2D)
LRTC09-0141/120572008B(3D)
锁紧螺母 *Lock Nut*
LRTC09-509A/120AU0509A (2D)
LRTC09-004B/120572004B (3D)

BT240/BT240S



上保护镜模块

Upper Protective Window Module

保护窗镜 Protective Window

LRTO11-2515S/211LCG0020 (BT240S)

弹簧致动密封圈 Axial Gasket

LRTC08-2920/11021M120051 (BT240S)

准直模块

Collimation Module

光纤准直镜组 Collimation Lens Assy

LRTO17-C100B4L/120A60021A

下保护镜模块

Lower Protective Module

O型圈 O-Ring

LRTC08-3732

保护窗镜 Protective Window

LLMO11-2840S/212YFS0016

LLMO11-2840/211LCG0035

弹簧致动密封圈 Axial Gasket

LRTC08-3224/11021M2110007

光纤接头模块

Optical Fiber Connector Module

光纤接头 QBH Connector

LRTO26-Q1001/211FIA1001 (QBH)

LRTO26-Q3003/211FIA3003

(QBH 水冷/QBH With Water Cooling)

LRTO26-Q0003/211FIA0003 (QD)

聚焦模块

Focusing Module

光纤聚焦镜组 Focusing Lens Assy

LRTO01-F125B4L/120A60023A

LRTO01-F150B4L

LRTO01-F200B4L

喷嘴组件模块

Nozzle Connector Module

绝缘电缆 Sensor Cable

LRTC09-0100D/211TTW9011 (SMB)

LRTC09-0150D/211TTW9012 (SMB)

LLMC09-0100D/211TTW9004 (SMA)

LLMC09-0150D/211TTW9002 (SMA)

SMB型接头 SMB Connector

LRTC09-2016

SMA型接头 SMA Connector

LLMC09-SMA/71800009

喷嘴组件 Nozzle Connector

LRTE14-BT240A/120401000D(BT240 2D)

LRTE14-BT240SA/120A61000A(BT240S 2D)

LRTE14-BM109TA/120800100B(3D)

O型圈 O-Ring

LRTC08-2815

陶瓷体 Nozzle Holder

LRTC09-0240/120274100B(2D)

LRTC09-0141/120572008B(3D)

锁紧螺母 Lock Nut

LRTC09-001G/120301001G (BT240 2D)

LRTC09-005C/120A61005C (BT240S 2D)

LRTC09-004B/120572004B (3D)