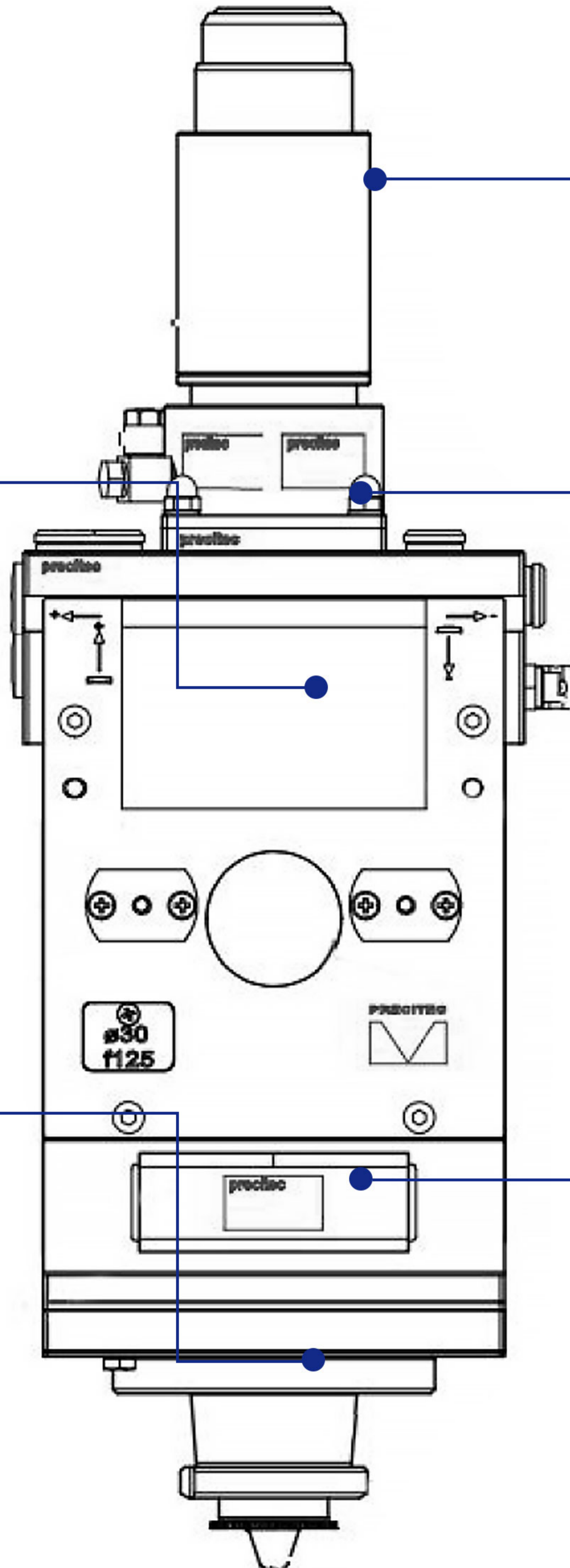


HP SSL



聚焦模块

Focusing Module

弹簧致动密封圈 Axial Gasket

LPTC08-1197D-1

光纤聚焦镜组 Focusing Lens Assy

LPTO01-F125HL/P0591-1262-00001

LPTO01-F200HL/P0591-1263-00001

铁氟龙密封垫圈 Axial Gasket

LPTC08-1197D-1

传感器模块

Sensor Module

O型圈 O-Ring

LPTC08-2715

O型圈 O-Ring

LPTC08-4518

电容传感器 Sensor

LPTE14-0591A/P0591-1051-00001

O型圈 O-Ring

LPTC08-2615/P0591-1142-00001

陶瓷体 Ceramic Part

LPTC09-0001*/P0571-1051-00001

LPTC09-0003/P0571-1051-00001

锁紧螺母 Lock Nut

LPTC09-1232*/P0571-1095-00001

LPTC09-1232A/P0571-1095-00001

光纤接头模块

Optical Fiber Connector Module

光纤接头 QBH Connector

LPTO26-1061*/P0292-1061-00001(QBH)

LPTO26-QBHH/P0292-1061-00001(QBH)

准直模块

Collimation Module

光纤准直镜组 Collimation Lens Assy

LPTO17-C100HL/P0591-1186-00001

下保护镜模块

Lower Protective Module

铁氟龙密封垫圈 Axial Gasket

LPTC08-5447

保护窗镜 Protective Window

LPTO11-2235S/P0589-360-00001/2

O型圈 O-Ring

LPTC08-2220

保护镜座 Cartridge For PW

LPTC09-1154*/P0591-1154-00001

弹簧致动密封圈 Axial Gasket

LPTC08-3629

*所示为普雷原装 *Shown as Precitec original

LightCutter

聚焦模块

Focusing Module

O型圈 O-Ring

LPTC08-3015

光纤聚焦镜组 Focusing Lens Assy

LPTO01-F125LL/P0580-1103-00001

LPTO01-F150LL/P0580-1104-00001

光纤接头模块

Optical Fiber Connector Module

光纤接头 QBH Connector

LPTO26-1061*/P0292-1061-00001 (QBH)

准直模块

Collimation Module

光纤准直镜组 Collimation Lens Assy

LPTO17-C100L*/P0580-2102-00001

LPTO17-C100LA*/P0580-61168

LPTO17-C100LL/P0580-2102-00001

LPTO17-C100LAL/P0580-61168

传感器模块

Sensor Module

电容传感器 Sensor

LPTE14-5002A/P0580-5002-00001

LPTE14-7918A/P0580-67918(DAZU)

LPTE14-5003A/P0580-65003

LPTE14-5074A/P0580-95074 (ECO)

挡渣板 Spatter Protection Plate

LPTE14-9621

O型圈 O-Ring

LPTC08-2615/P0591-1142-00001

陶瓷体 Ceramic Part

LPTC09-0001*/P0571-1051-00001

LPTC09-0003/P0571-1051-00001

锁紧螺母 Lock Nut

LPTC09-1232*/P0571-1095-00001

LPTC09-1232A/P0571-1095-00001

下保护镜模块

Lower Protective Module

压环 Clamping Ring

LPTC09-4460/P0580-54460

保护镜片 Protective Window

LPTO11-3050S/P0795-1201-00002

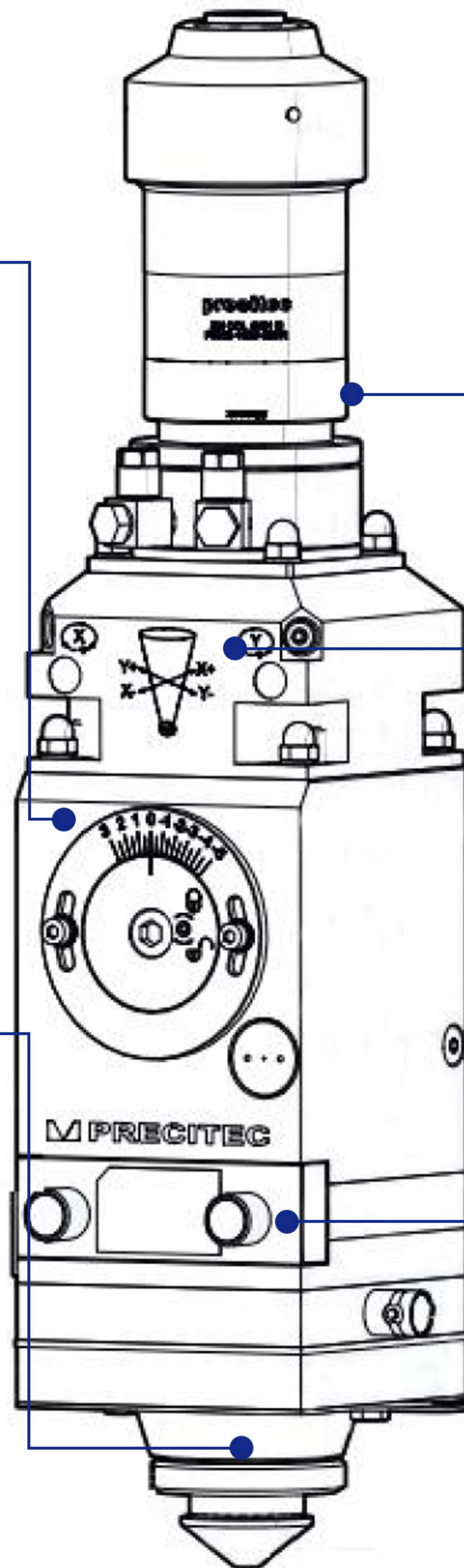
下保护窗镜座

Cartridge for Lower Protective Window

LPTO26-3101*/P0580-3101-00001

弹簧致动密封圈 Axial Gasket

LPTC08-3125P/PR53353



*所示为普雷原装 *Shown as Precitec original

LightCutter 2.0 Motorized/ 3D

准直模块

Collimation Module

光纤准直镜组 Collimation Lens Assy
LPTO17-C100LL/P0580-2102-00001(4KW)
LPTO17-C100LA6*/P0580-99090(6KW)
LPTO17-C100LA6L/P0580-99090(6KW)

聚焦模块

Focusing Module

O型圈 O-Ring
LPTC08-3015
光纤聚焦镜组 Focusing Lens Assy
LPTO01-F125LAL/P0580-88931(4KW)
LPTO01-F150LAL/P0580-88933(4KW)
LPTO01-F150LA6L/P0580-99033(6KW)
LPTO01-F200LA6L/P0580-99247(6KW)

下保护镜模块

Lower Protective Module

压环 Clamping Ring
LPTC09-4460*/P0580-54460
保护镜片 Protective Window
LPTO11-3050S/P0795-1201-00002
下保护窗镜座
Cartridge for Lower Protective Window
LPTO26-3101*/P0580-3101-00001
弹簧致动密封圈 Axial Gasket
LPTC08-3125P/PR53353

光纤接头模块

Optical Fiber Connector Module

光纤接头 QBH Connector
LPTO26-2761*/P0292-62761 (QBH K)

上保护镜模块

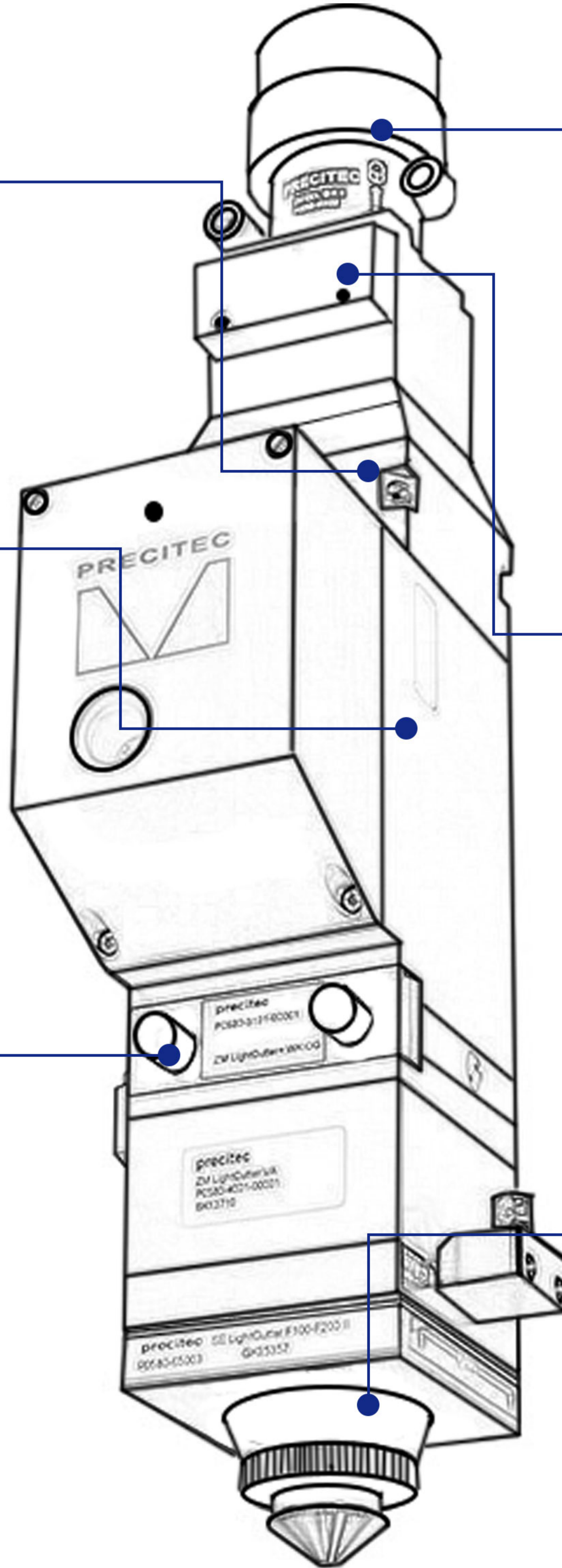
Upper Protective Window Module

保护窗镜 Protective Window
LPTO11-2120*/P0588-1022-00002
LPTO11-2120E/P588-1022-00001
弹簧致动密封圈 Axial Gasket
LPTC08-3628*/P0570-63628
准直保护窗镜座组件
Cartridge COL-PW With PW
LPTO17-9338*/P0580-89338

传感器模块

Sensor Module

电容传感器 Sensor
LPTE14-5002A/P0580-5002-00001
LPTE14-7918A/P0580-67918(DAZU)
LPTE14-5003A/P0580-65003
LPTE14-5074A/P0580-95074(ECO)
LPTE14-2320A/P0580-92320 (3D)
挡渣板 Spatter Protection Plate
LPTE14-9621
O型圈 O-Ring
LPTC08-2615/P0591-1142-00001
陶瓷体 Ceramic Part
LPTC09-0001*/P0571-1051-00001
LPTC09-0003/P0571-1051-00001
LPTC09-0494A/P0494-752-00001 (3D)
锁紧螺母 Lock Nut
LPTC09-1232*/P0571-1095-00001
LPTC09-1232A/P0571-1095-00001
LPTC09-8619/PR18619 (3D)
LPTC09-8619A/PR18619 (3D)



*所示为普雷原装 *Shown as Precitec original

ProCutter1.0 8KW

准直模块

Collimation Module

光纤准直镜组 Collimation Lens Assy
LPTO17-C100P*/P0595-70867
LPTO17-C100PP/P0595-70867
非球面准直镜组
Aspherical Collimation Lens Assy
LPTO17-C100PAP/P0595-74461

下保护镜模块

Lower Protective Module

保护窗压环 Clamping Ring
LPTC09-8618/P0595-58618
保护窗镜 Protective Window
LPTO11-3770Z/P0595-58601
弹簧致动密封圈 Axial Gasket
LPTC08-4029/P0595-59131
下保护窗镜座
Cartridge For Lower Protective Window
LPTO26-8616*/P0595-58616

传感器模块

Sensor Module

O型圈 O-Ring
LPTC08-4518
O型圈 O-Ring
LPTC08-4020
电容传感器 Sensor
LPTE14-9180A/P0595-59180(F125)
LPTE14-0123A/P0595-60123(F150)
LPTE14-9120A/P0595-59120(F200)
保护板 Protective Plate
LPTE14-9619/P0595-059619
O型圈 O-Ring
LPTC08-2615/P0591-1142-00001
陶瓷体 Nozzle Holder
LPTC09-0001*/P0571-1051-00001
LPTC09-0003/P0571-1051-00001
锁紧螺母 Lock Nut
LPTC09-1232*/P0571-1095-00001
LPTC09-1232A/P0571-1095-00001

光纤接头模块

Optical Fiber Connector Module

光纤接头 QBH Connector
LPTO26-2761*/P0292-62761

上保护镜模块

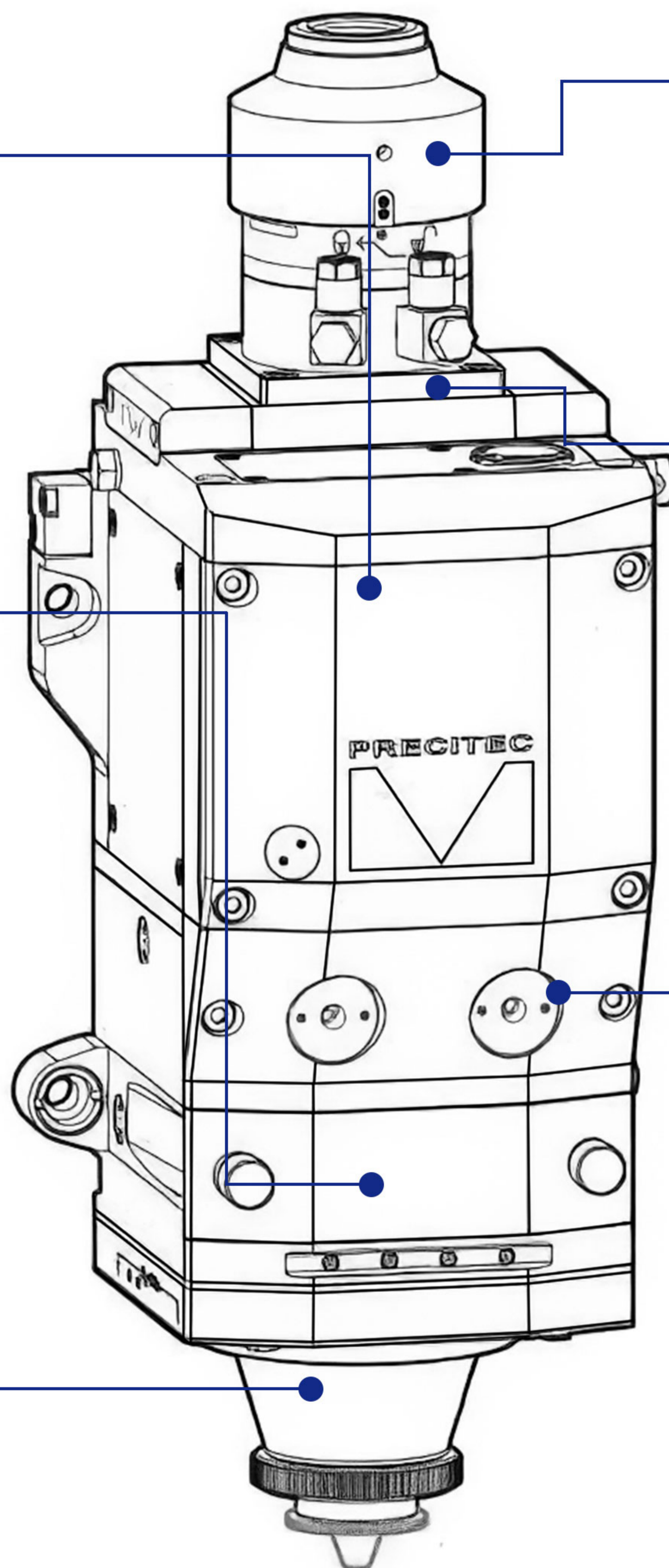
Upper Protective Window Module

保护窗镜 Protective Window
LPTO11-2120E/P588-1022-00001
LPTO11-2120*/P0588-1022-00002
准直保护镜座 Cartridge COL-PW
LPTO26-8881/P0595-58881
准直保护镜座组件 Cartridge COL-PW
LPTO17-8881*/P0595-85881
LPTO17-8881A/P0595-85881

聚焦模块

Focusing Module

弹簧致动密封圈 Axial Gasket
LPTC08-5447OU/P0595-62443
光纤聚焦镜组 Focusing Lens Assy
LPTO01-F125PP/P0595-59761
LPTO01-F150PP/P0595-70894
LPTO01-F200PP/P0595-70900
LPTO01-F125P*/P0595-70884
LPTO01-F150P*/P0595-70894
LPTO01-F200P*/P0595-70900
保护窗镜 Protective Window
LPTO11-3770E/P0595-58601
LPTO11-3770*/P0595-58601
弹簧致动密封圈 Axial Gasket
LPTC08-5548/P0595-59845



*所示为普雷原装 *Shown as Precitec original

ProCutter1.0 12/15KW

准直模块

Collimation Module

非球面准直镜组

Aspherical Collimation Lens Assy

LPTO17-C100PAP/P0595-74461(8KW)

LPTO17-C100PA*/P0595-85548(15KW)

LPTO17-C100PAS/P0595-85548 (15KW)

下保护镜模块

Lower Protective Module

保护窗压环 Clamping Ring

LPTC09-8618/P0595-58618

保护窗镜 Protective Window

LPTO11-3770P/P0595-58601

LPTO11-3770Z/P0595-58601

弹簧致动密封圈 Axial Gasket

LPTC08-4029/P0595-59131

下保护窗镜座

Cartridge For Lower Protective Window

LPTO26-8616*/P0595-58616

传感器模块

Sensor Module

O型圈 O-Ring

LPTC08-4518

O型圈 O-Ring

LPTC08-4020

电容传感器 Sensor

LPTE14-4859A/P0595-84859 (Pro12 F200)

LPTE14-0399A/P0595-90399 (Pro15 F200)

挡渣板 Spatter Protection Plate

LPTE14-9619/P0595-059619

O型圈 O-Ring

LPTC08-2615/P0591-1142-00001

陶瓷体 Ceramic Part

LPTC09-0001*/P0571-1051-00001

LPTC09-0003/P0571-1051-00001

锁紧螺母 Lock Nut

LPTC09-1232*/P0571-1095-00001

LPTC09-1232A/P0571-1095-00001

光纤接头模块

Optical Fiber Connector Module

光纤接头 QBH Connector

LPTO26-5571*/P0595-85571(Q+)

LPTO26-QBHP/P0292-62761(QBH)

LPTO26-2761*/P0292-62761(QBH)

上保护镜模块

Upper Protective Window Module

保护窗镜 Protective Window

LPTO11-2120E/P588-1022-00001

LPTO11-2120*/P0588-1022-00002

准直保护窗镜座组件

Cartridge COL-PW With PW

LPTO26-0186

准直保护窗镜座组件

Cartridge COL-PW With PW

LPTO17-0186*/P0595-90186

LPTO17-0186A/P0595-90186

聚焦模块

Focusing Module

弹簧致动外压密封圈 Axial Gasket

LPTC08-5447OU/P0595-62443

光纤聚焦镜组 Focusing Lens Assy

LPTO01-F200PS/P0595-70900

LPTO01-F200P*/P0595-70900

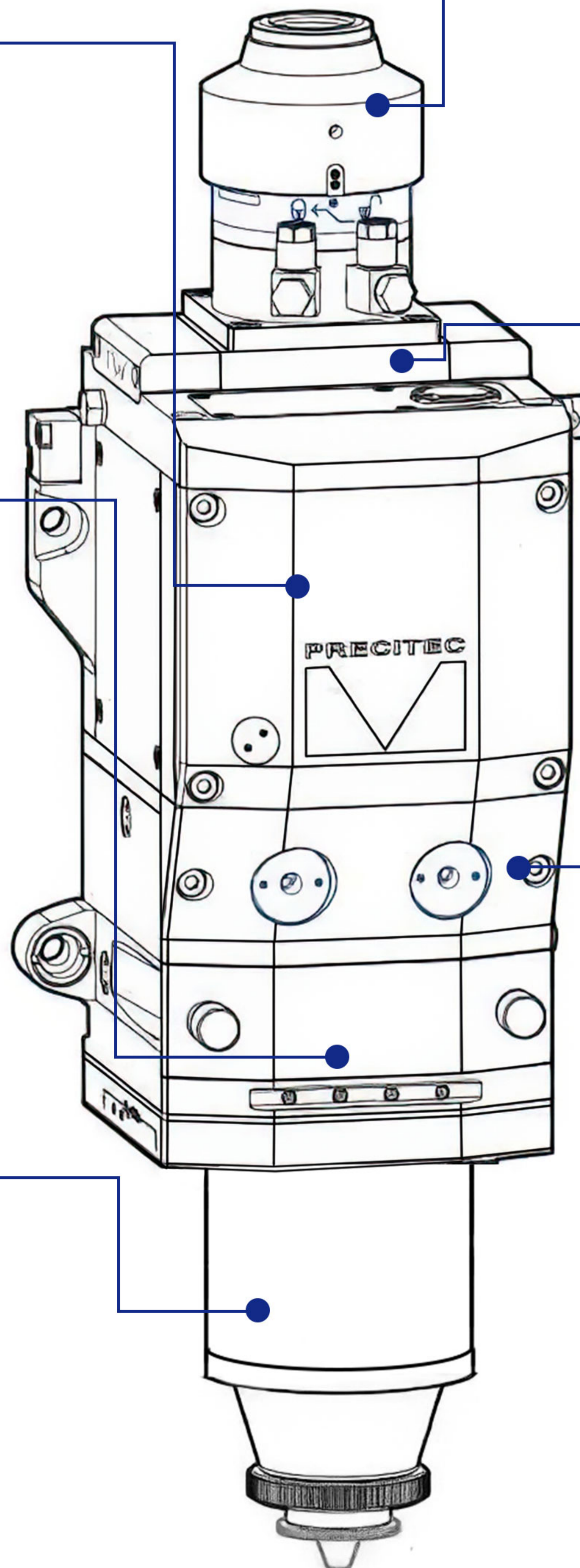
保护窗镜 Protective Window

LPTO11-3770E/P0595-58601

LPTO11-3770*/P0595-58601

弹簧致动密封圈 Axial Gasket

LPTC08-5548/P0595-59845



*所示为普雷原装 *Shown as Precitec original

ProCutter2.0 30KW

准直模块

Collimation Module

非球面准直镜组

Aspherical Collimation Lens Assy

LPTO17-C100P2A30*/P0595-104209(8KW)

LPTO17-C100P2A30P/P0595-104209

下保护镜模块

Lower Protective Module

保护窗镜 Protective Window

LPTO11-3770P30/P0595-97352

下保护窗镜座

Cartridge For Lower Protective Window

LPTO26-3478/P0595-103478

传感器模块

Sensor Module

传感器 Senso

LPTE14-5496A/P0595-105496

挡渣板 Spatter protection Plate

LPTE14-5703/P0595-105703

陶瓷体 Ceramic Part

LPTC09-XB01/P0595-94097

LPTC09-4097*/P0595-94097

锁紧螺母 Lock Nut

LPTC09-2039*/P0595-92039

LPTC09-2039A/P0595-92039

光纤接头模块

Optical Fiber Connector Module

光纤接头 QBH Connector

LPTO26-5571*/P0595-85571(30KW Q+)

LPTO26-5571A/P0595-85571

上保护镜模块

Upper Protective Window Module

保护窗镜 Protective Window

LPTO11-2420*/P0595-90154

LHSO11-2420E/P0595-90154

准直保护窗镜座组件

Cartridge COL-PW With PW

LPTO11-92804

准直保护窗镜座组件

Cartridge COL-PW With PW

LPTO17-2804*/P0595-92804

聚焦模块

Focusing Module

弹簧致动外压密封圈 Axial Gasket

LPTC08-5548/P0595-59845

光纤聚焦镜组 Focusing Lens Assy

LPTO01-F200P230P/P0595-96384

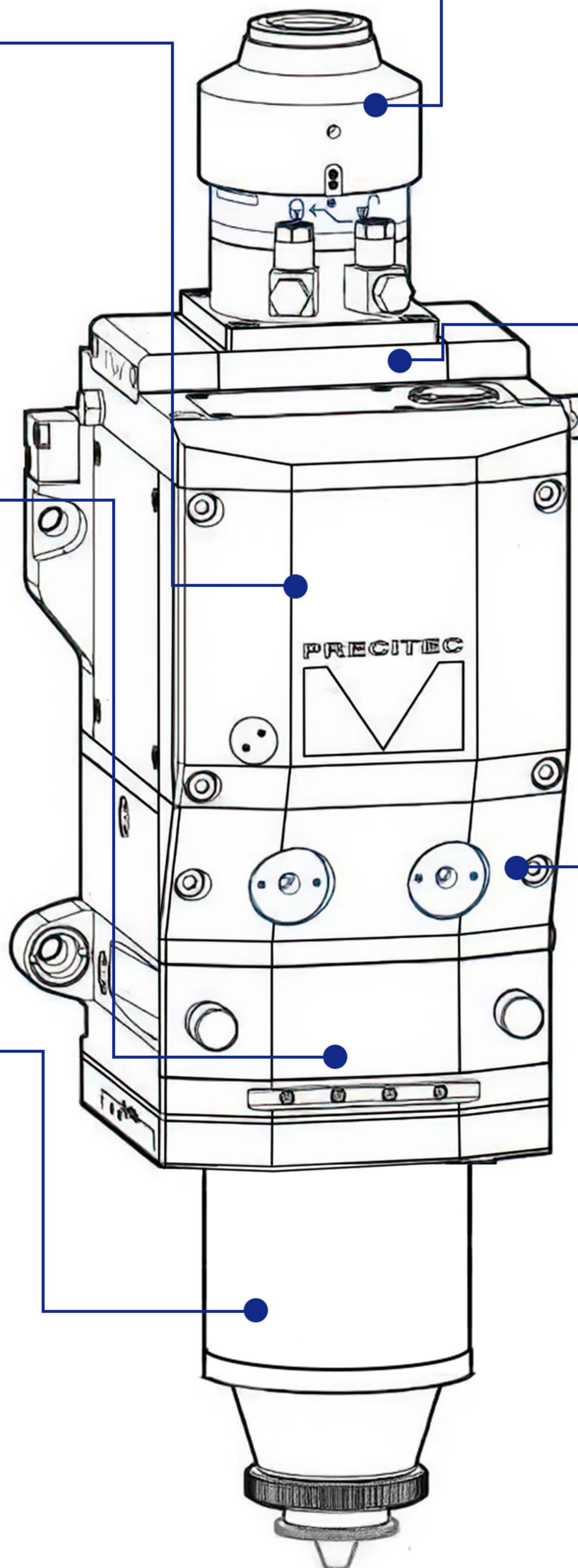
LPTO01-F200P230*/P0595-96384

保护窗镜 Protective Window

LPTO11-3770E/P0595-58601

弹簧致动密封圈 Axial Gasket

LPTC08-5548/P0595-59845



*所示为普雷原装 *Shown as Precitec original

ProCutter2.0 8/15/20KW

准直模块

Collimation Module

非球面准直镜组

Aspherical Collimation Lens Assy

LPTO17-C100P2A*/P0595-95199(8KW)

LPTO17-C100P2AS/P0595-95199

下保护镜模块

Lower Protective Module

保护窗压环 Clamping Ring

LPTC09-3925/P0595-73925

保护窗镜 Protective Window

LPTO11-3770P/P0595-58601

(20KW/30KW以上)

LPTO11-3770Z/P0595-58601(15KW)

下保护窗镜座

Cartridge For Lower Protective Window

LPTO26-9009*/P0595-89009

弹簧致动密封圈 Axial Gasket

LPTC08-9532*/P0595-69532

LPTC08-4332A/P0595-69532

传感器模块

Sensor Module

传感器 Sensor

LPTe14-2660A/P0595-92660

挡渣板 Spatter Protection Plate

LPTe14-8832/P0595-88832

陶瓷体 Ceramic Part

LPTC09-XB01/P0595-94097

LPTC09-4097*/P0595-94097

锁紧螺母 Lock Nut

LPTC09-2039*/P0595-92039

LPTC09-2039A/P0595-92039

光纤接头模块

Optical Fiber Connector Module

光纤接头 QBH Connector

LPTO26-2761*/P0292-62761(8KW QBH)

LPTO26-5571*/P0595-85571(15/20KW Q+)

LPTO26-5571A/P0595-85571

上保护镜模块

Upper Protective Window Module

保护窗镜 Protective Window

LPTO11-2420*/P0595-90154

LHSO11-2420E/P0595-90154

准直保护窗镜座 Cartridge Without PW

LPTO26-2804

准直保护窗镜座组件

Cartridge COL-PW With PW

LPTO17-2804*/P0595-92804

聚焦模块

Focusing Module

弹簧致动外压密封圈 Axial Gasket

LPTC08-5548/P0595-59845

光纤聚焦镜组 Focusing Lens Assy

LPTO01-F200P2S/P0595-92492

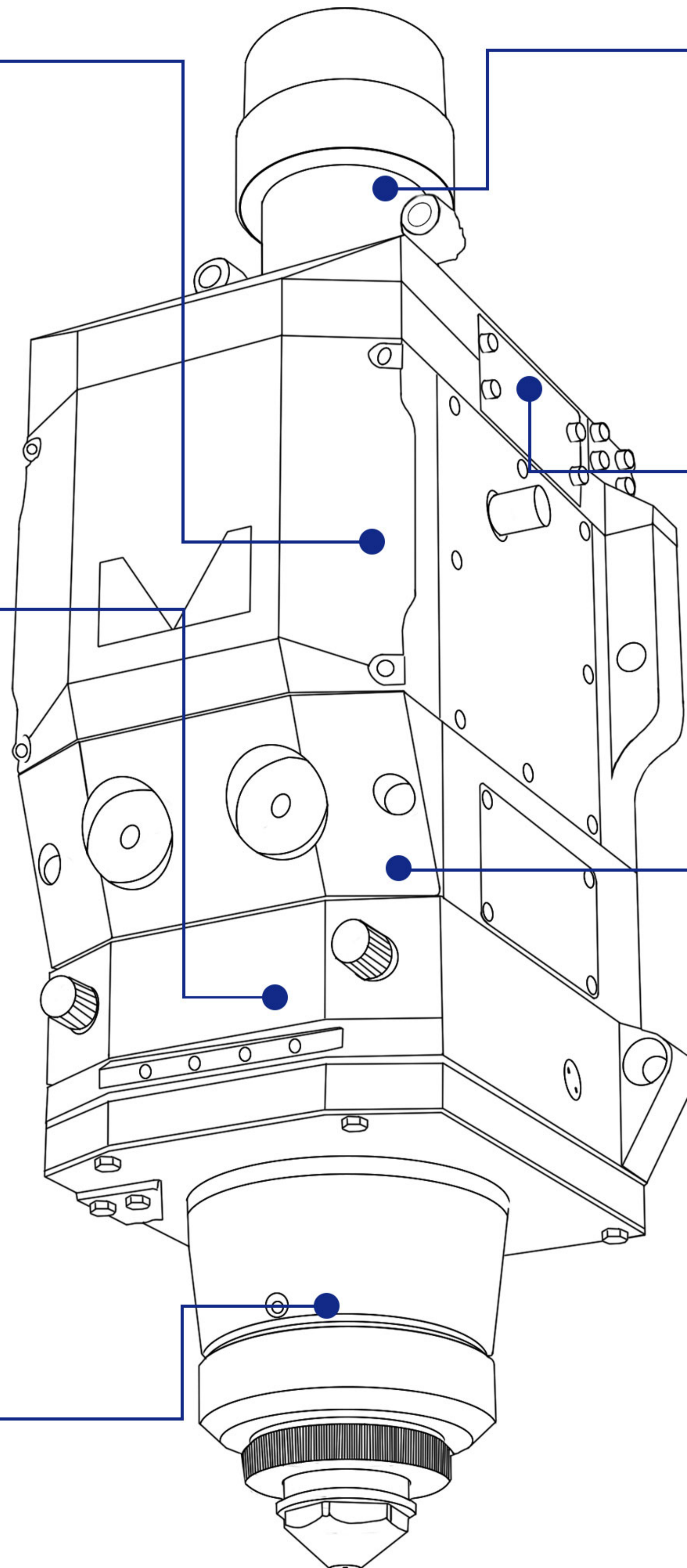
LPTO01-F200P2*/P0595-92492

保护窗镜 Protective Window

LPTO11-3770E/P0595-58601

弹簧致动密封圈 Axial Gasket

LPTC08-5548/P0595-59845



*所示为普雷原装 *Shown as Precitec original