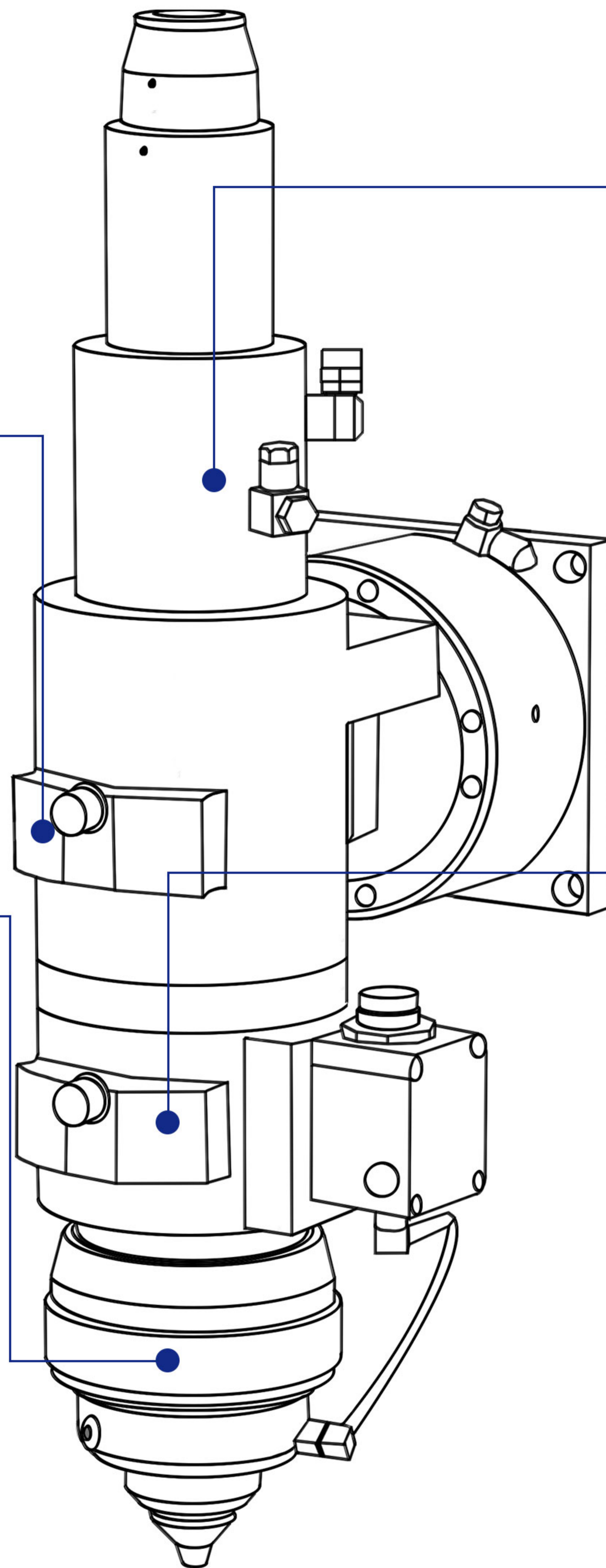


## Accufiber



### 聚焦模块

Focusing Module

平凸镜 PLX lens

LLMO01-F100AD/211YFS0012

LLMO01-F125AD/212YFS0016

LLMO01-F150AD/210YFS0013

LLMO01-F200AD/212YFS0007

LLMO01-F250AD

### 准直模块

Collimation Module

平凸镜 PLX lens

LLMO01-F125AD/212YFS0016

LLMO01-F150AD/210YFS0013

### 喷嘴组件模块

Nozzle Connector Module

绝缘电缆 Sensor Cable

LLMC09-0140D

LLMC09-0114D

SMA型接头 SMA Connector

LLMC09-SMA/71800009

上绝缘环 Upper insulator ring

LLMC09-0009/2110328008

喷嘴体 Nozzle body

LLMC09-0002

下绝缘环 Lower insulator ring

LLMC09-0010

固定螺母 Tip Retainer Nut

LLMC09-3021/2110328008B

喷嘴组件 Nozzle Connector

LLME14-0328A/211TRA0328

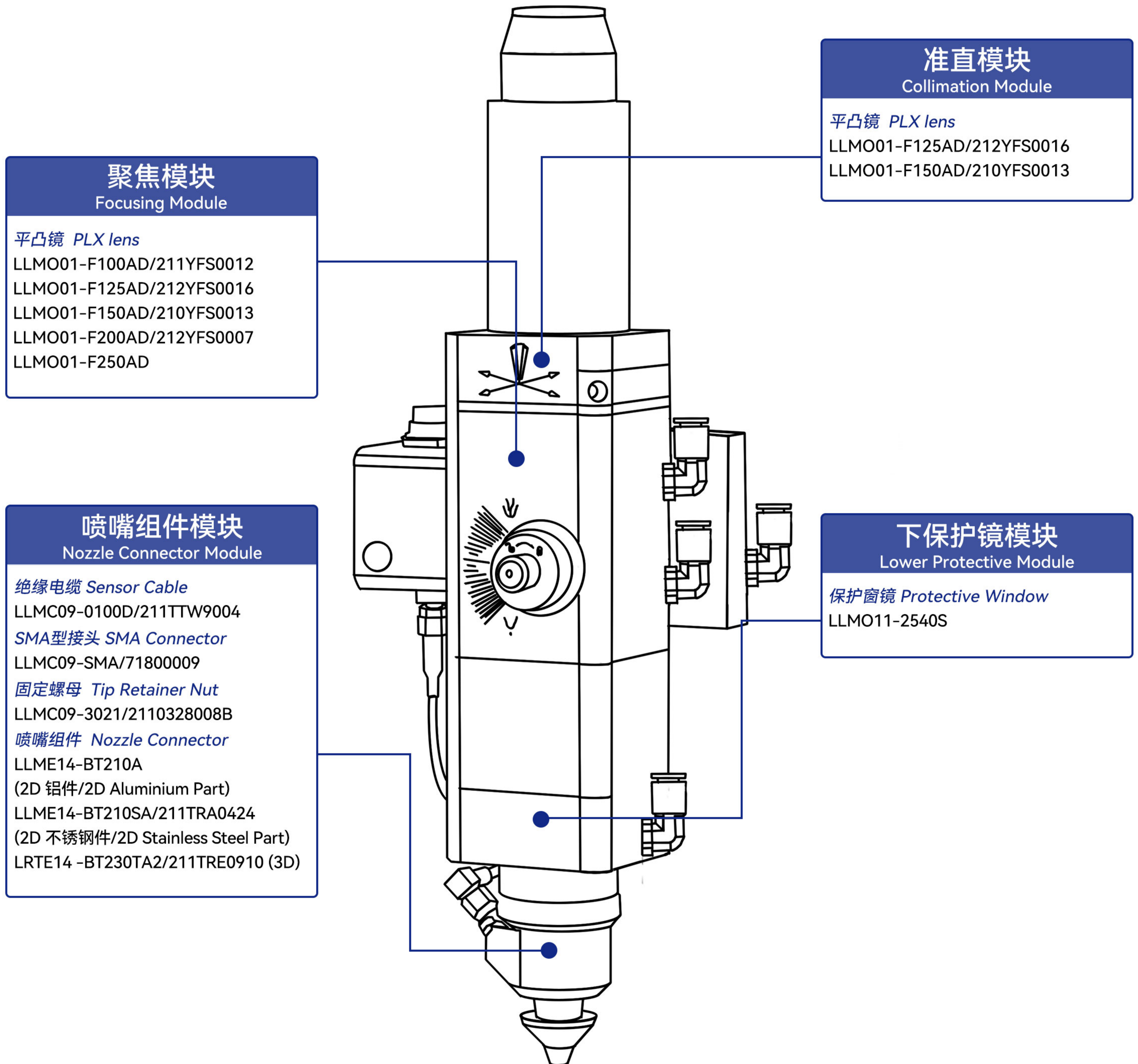
### 下保护镜模块

Lower Protective Module

保护窗镜 Protective Window

LLMO11-2540S

## FiberMini



### 聚焦模块

#### Focusing Module

##### 平凸镜 PLX lens

LLMO01-F100AD/211YFS0012  
LLMO01-F125AD/212YFS0016  
LLMO01-F150AD/210YFS0013  
LLMO01-F200AD/212YFS0007  
LLMO01-F250AD

### 准直模块

#### Collimation Module

##### 平凸镜 PLX lens

LLMO01-F125AD/212YFS0016  
LLMO01-F150AD/210YFS0013

### 喷嘴组件模块

#### Nozzle Connector Module

##### 绝缘电缆 Sensor Cable

LLMC09-0100D/211TTW9004

##### SMA型接头 SMA Connector

LLMC09-SMA/71800009

##### 固定螺母 Tip Retainer Nut

LLMC09-3021/2110328008B

##### 喷嘴组件 Nozzle Connector

LLME14-BT210A

(2D 铝件/2D Aluminium Part)

LLME14-BT210SA/211TRA0424

(2D 不锈钢件/2D Stainless Steel Part)

LRTE14 -BT230TA2/211TRE0910 (3D)

### 下保护镜模块

#### Lower Protective Module

##### 保护窗镜 Protective Window

LLMO11-2540S