

KC15A

准直模块

Collimation Module

光纤准直镜组 Collimation Lens Assy
LWSO17-C075L11/24.12.0102.025
LWSO17-C075L12/24.12.0102.025
LWSO17-C100H37/24.12.0101.013
LWSO17-C100H38/24.12.0101.013
LWSO17-C100AD
LWSO17-C100AL

下保护镜模块

Lower Protective Module

保护窗镜 Protective Window
LPTO11-3050S/24.12.0101.010
弹簧致动密封圈 Axial Gasket
LPTC08-3125/24.11.0604.007

聚焦模块

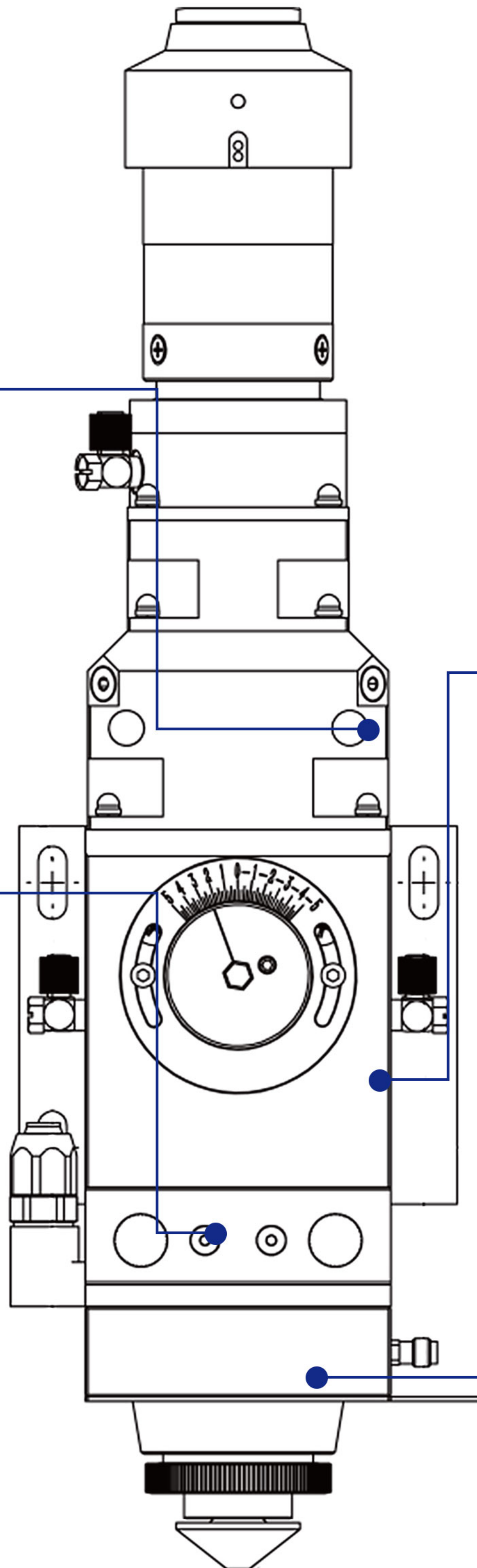
Focusing Module

光纤聚焦镜组 Focusing Lens Assy
LWSO01-F125AL/24.12.0103.001

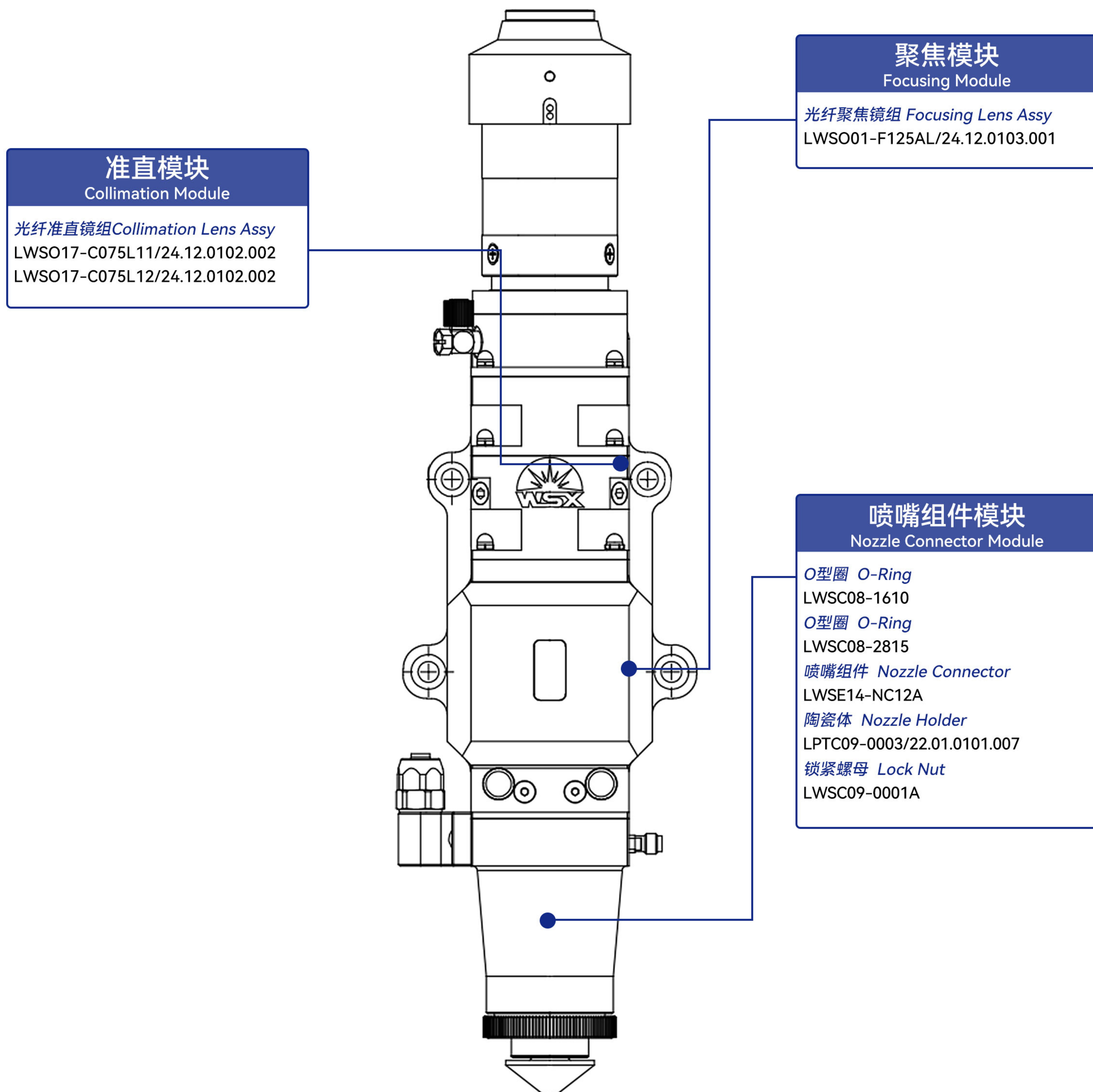
喷嘴组件模块

Nozzle Connector Module

O型圈 O-Ring
LWSC08-1610
O型圈 O-Ring
LWSC08-2815
喷嘴组件 Nozzle Connector
LWSE14-KC13A
(无侧吹/Without Side Blown)
LWSE14-NC30A(侧吹/With Side Blown)
陶瓷体 Nozzle Holder
LPTC09-0003/22.01.0101.007
锁紧螺母 Lock Nut
LWSC09-0001A(无孔款/Without Hole)
LWSC09-0002A(有孔款/With Hole)



NC12



准直模块

Collimation Module

光纤准直镜组 Collimation Lens Assy
LWSO17-C075L11/24.12.0102.002
LWSO17-C075L12/24.12.0102.002

聚焦模块

Focusing Module

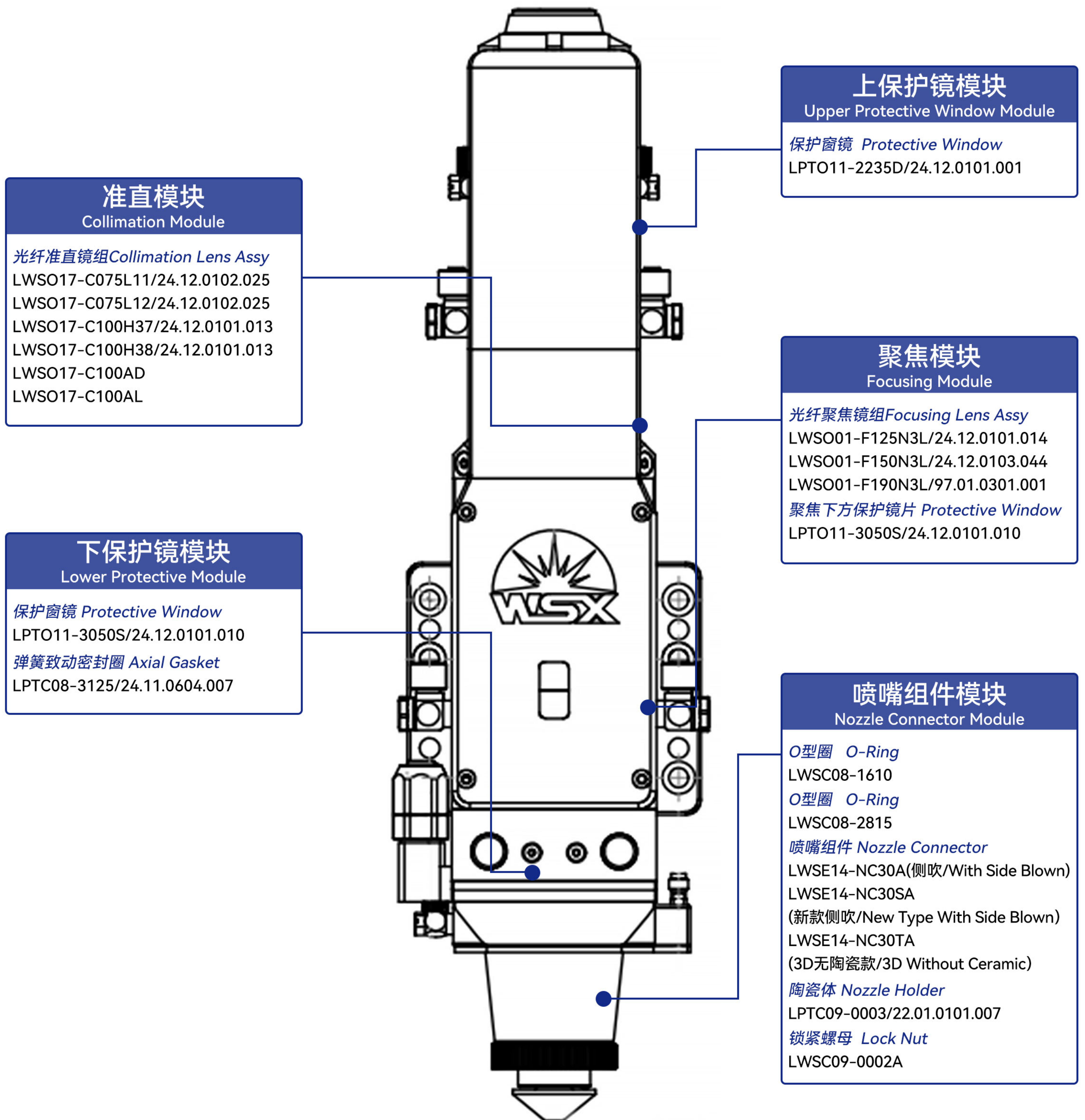
光纤聚焦镜组 Focusing Lens Assy
LWSO01-F125AL/24.12.0103.001

喷嘴组件模块

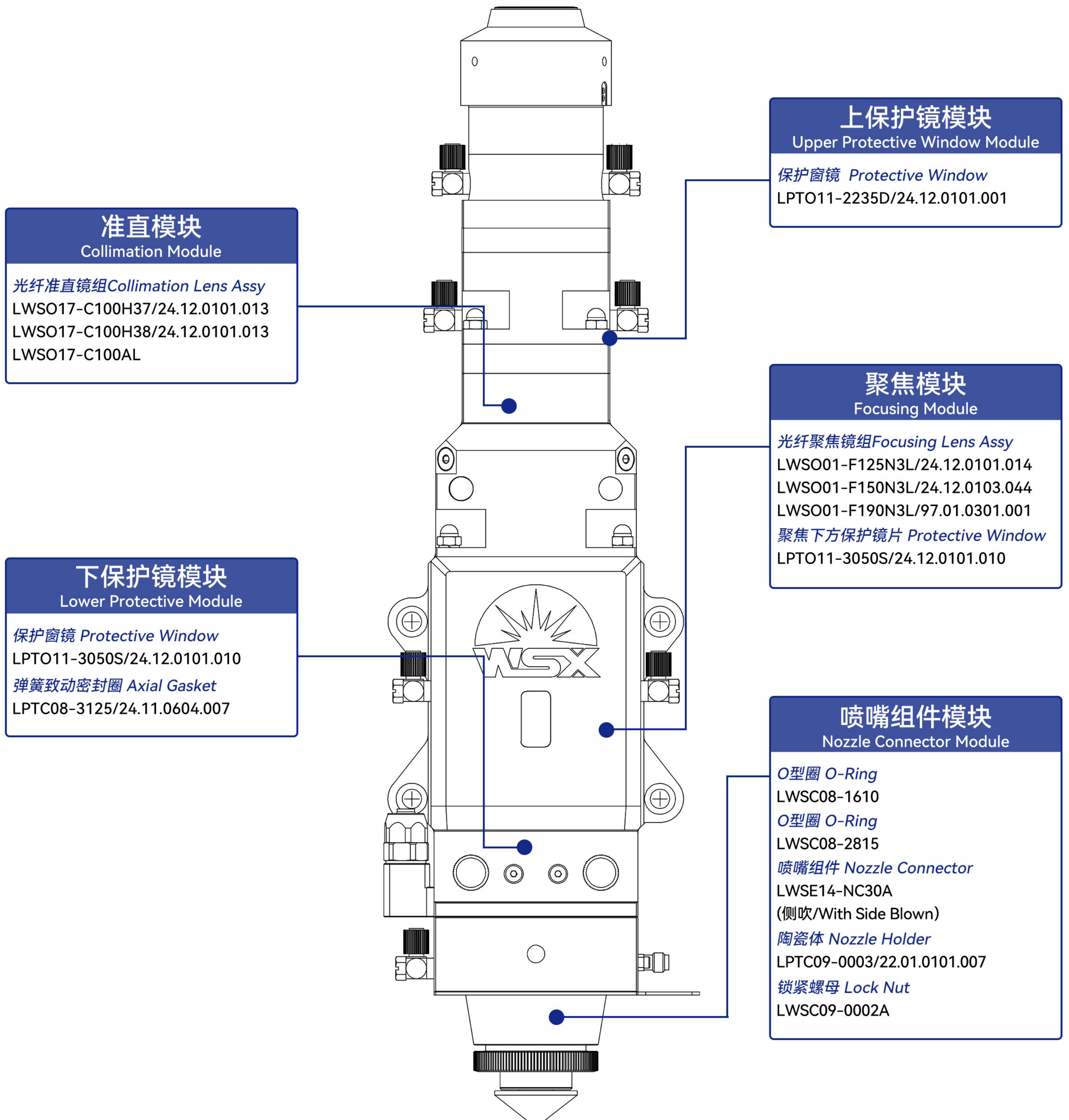
Nozzle Connector Module

O型圈 O-Ring
LWSC08-1610
O型圈 O-Ring
LWSC08-2815
喷嘴组件 Nozzle Connector
LWSE14-NC12A
陶瓷体 Nozzle Holder
LPTC09-0003/22.01.0101.007
锁紧螺母 Lock Nut
LWSC09-0001A

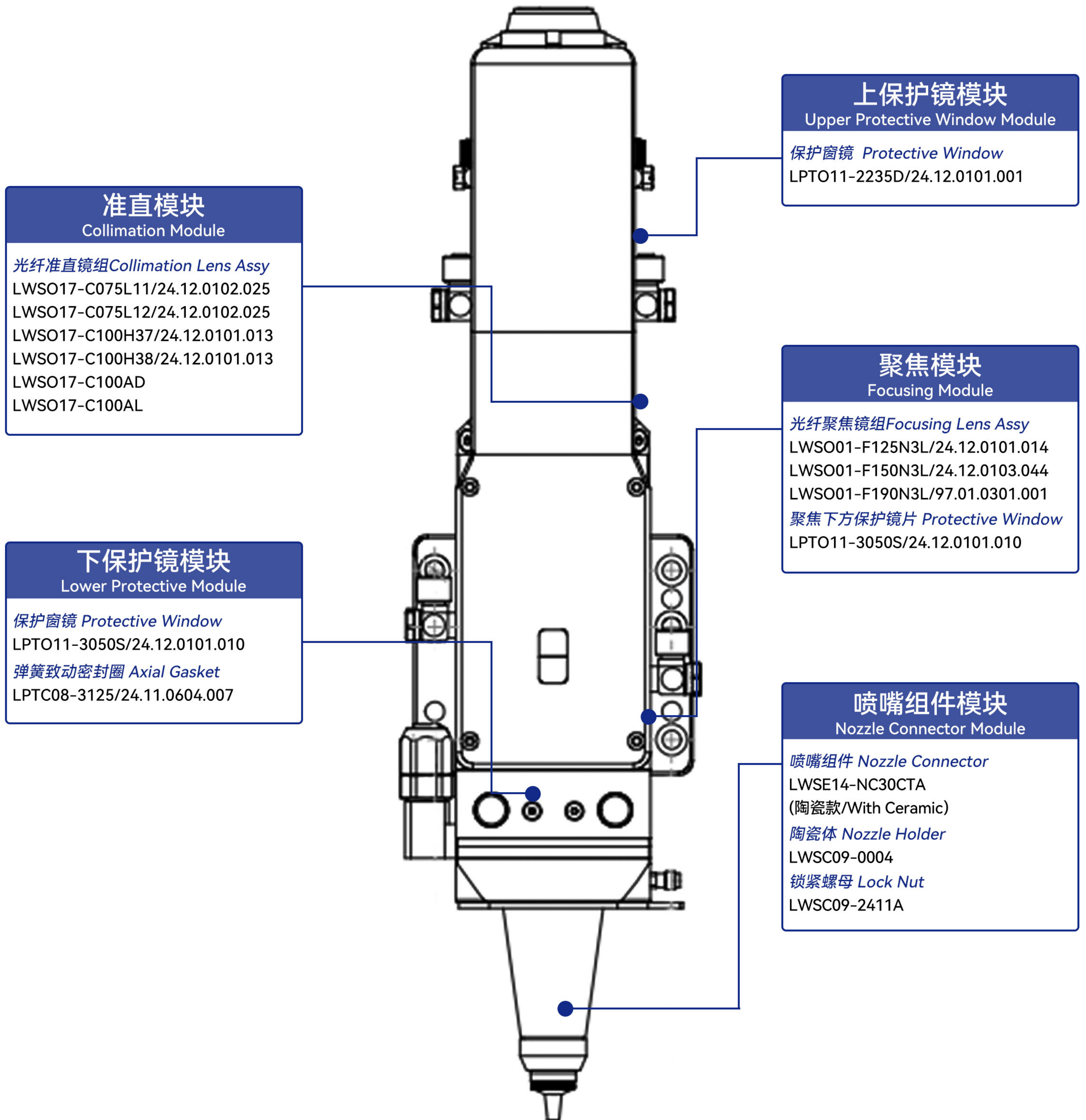
NC30A



NC30B



NC30C



准直模块

Collimation Module

光纤准直镜组 Collimation Lens Assy
LWSO17-C075L11/24.12.0102.025
LWSO17-C075L12/24.12.0102.025
LWSO17-C100H37/24.12.0101.013
LWSO17-C100H38/24.12.0101.013
LWSO17-C100AD
LWSO17-C100AL

下保护镜模块

Lower Protective Module

保护窗镜 Protective Window
LPTO11-3050S/24.12.0101.010
弹簧致动密封圈 Axial Gasket
LPTC08-3125/24.11.0604.007

上保护镜模块

Upper Protective Window Module

保护窗镜 Protective Window
LPTO11-2235D/24.12.0101.001

聚焦模块

Focusing Module

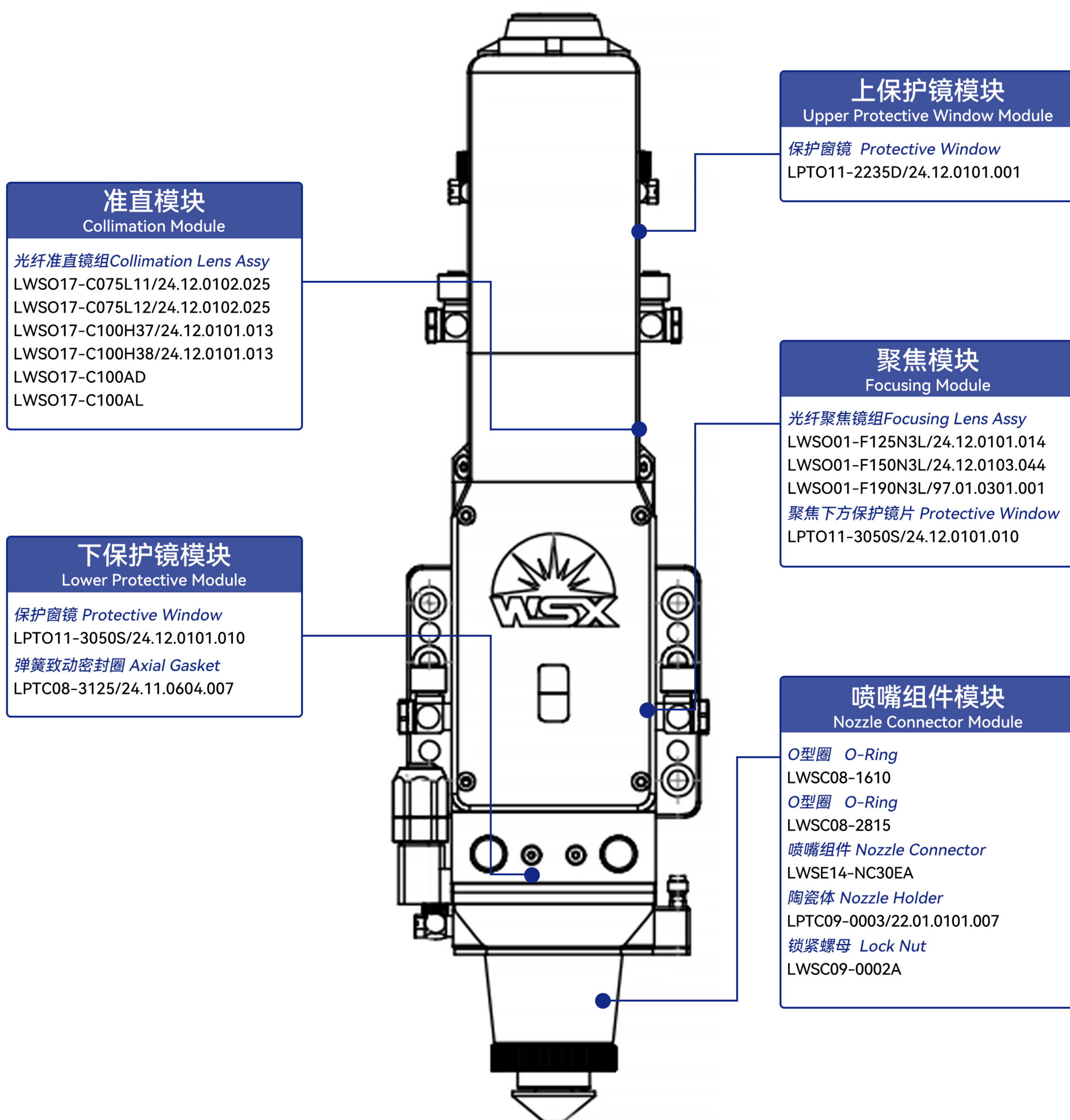
光纤聚焦镜组 Focusing Lens Assy
LWSO01-F125N3L/24.12.0101.014
LWSO01-F150N3L/24.12.0103.044
LWSO01-F190N3L/97.01.0301.001
聚焦下方保护镜片 Protective Window
LPTO11-3050S/24.12.0101.010

喷嘴组件模块

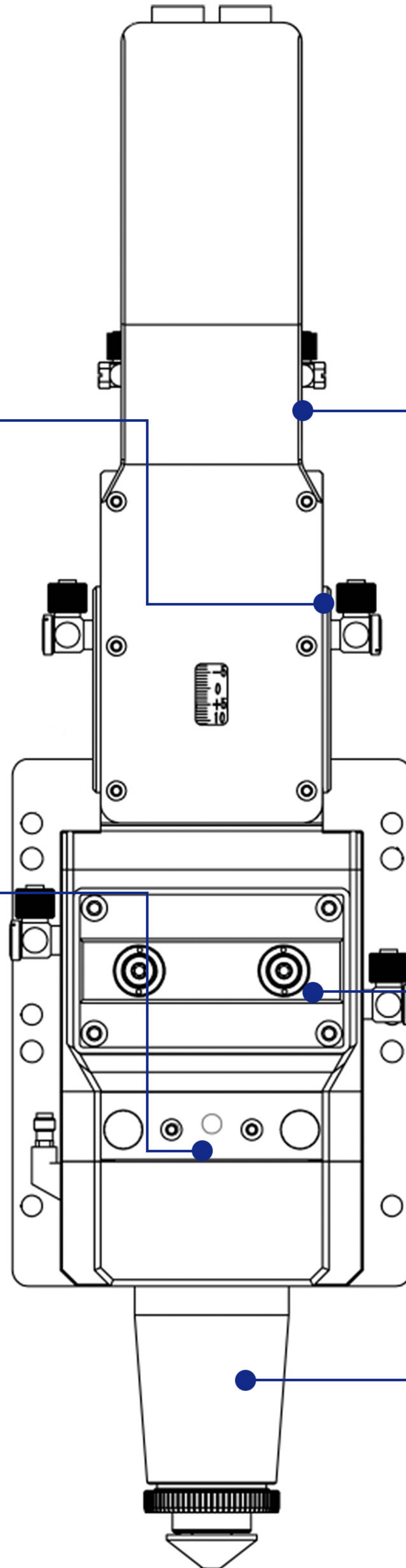
Nozzle Connector Module

喷嘴组件 Nozzle Connector
LWSE14-NC30CTA
(陶瓷款/With Ceramic)
陶瓷体 Nozzle Holder
LWSC09-0004
锁紧螺母 Lock Nut
LWSC09-2411A

NC30E



NC60



准直模块

Collimation Module

光纤准直镜组 Collimation Lens Assy
LWSO17-C100N6P/24.12.0102.010

上保护镜模块

Upper Protective Window Module

保护窗镜 Protective Window
LWSO11-3220W/24.12.0101.011

下保护镜模块

Lower Protective Module

保护窗镜 Protective Window
LPTO11-3770S/24.12.0101.009
弹簧致动密封圈 Axial Gasket
LWSC08-3731/24.11.0604.024

聚焦模块

Focusing Module

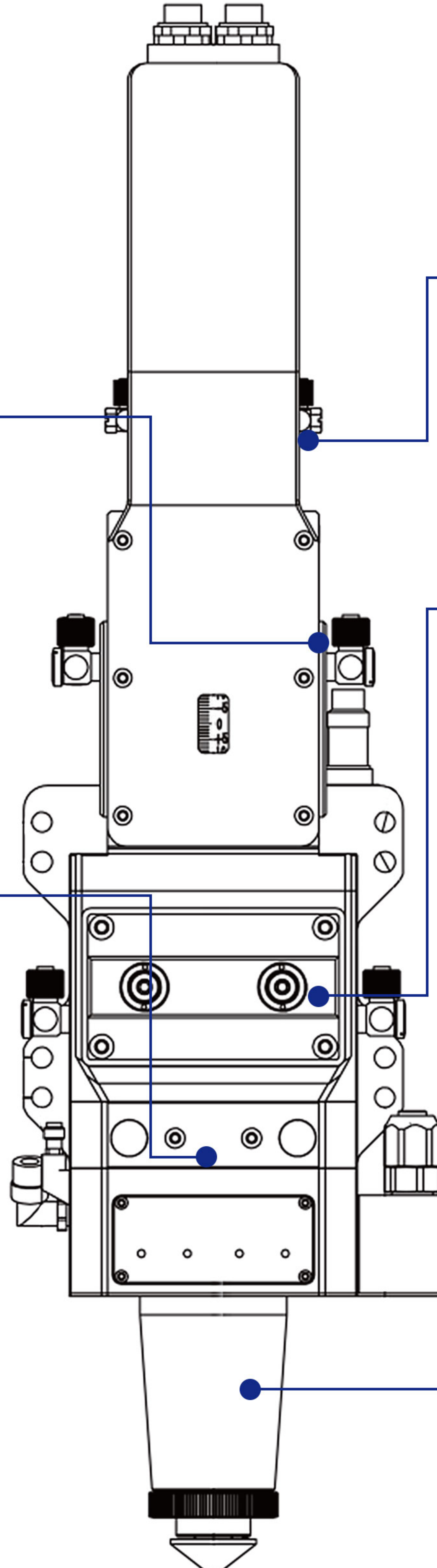
光纤聚焦镜组 Focusing Lens Assy
LWSO01-F150H35/24.12.0103.021
LWSO01-F150H36/24.12.0103.021
光纤聚焦镜组 Focusing Lens Assy
LWSO01-F150N6P/WSX-NC60-JT-04
LWSO01-F190N6P/WSX-NC60-JJIT-005
聚焦下方保护镜片 Protective Window
LPTO11-3770S/24.12.0101.009

喷嘴组件模块

Nozzle Connector Module

O型圈 O-Ring
LWSC08-1610
O型圈 O-Ring
LWSC08-2815
喷嘴组件 Nozzle Connector
LWSE14-NC60A(老款/Old Type F150)
LWSE14-NC60SA(新款/New Type F150)
LWSE14-NC60A2(新款/New Type F190)
陶瓷体 Nozzle Holder
LPTC09-0003/22.01.0101.007
锁紧螺母 Lock Nut
LWSC09-0002A

NC62



准直模块

Collimation Module

光纤准直镜组 Collimation Lens Assy
LWSO17-C100N6P/24.12.0102.010

上保护镜模块

Upper Protective Window Module

保护窗镜 Protective Window
LWSO11-3220W/24.12.0101.011

下保护镜模块

Lower Protective Module

保护窗镜 Protective Window
LPTO11-3770S/24.12.0101.009
弹簧致动密封圈 Axial Gasket
LPTC08-3731/24.11.0604.024

聚焦模块

Focusing Module

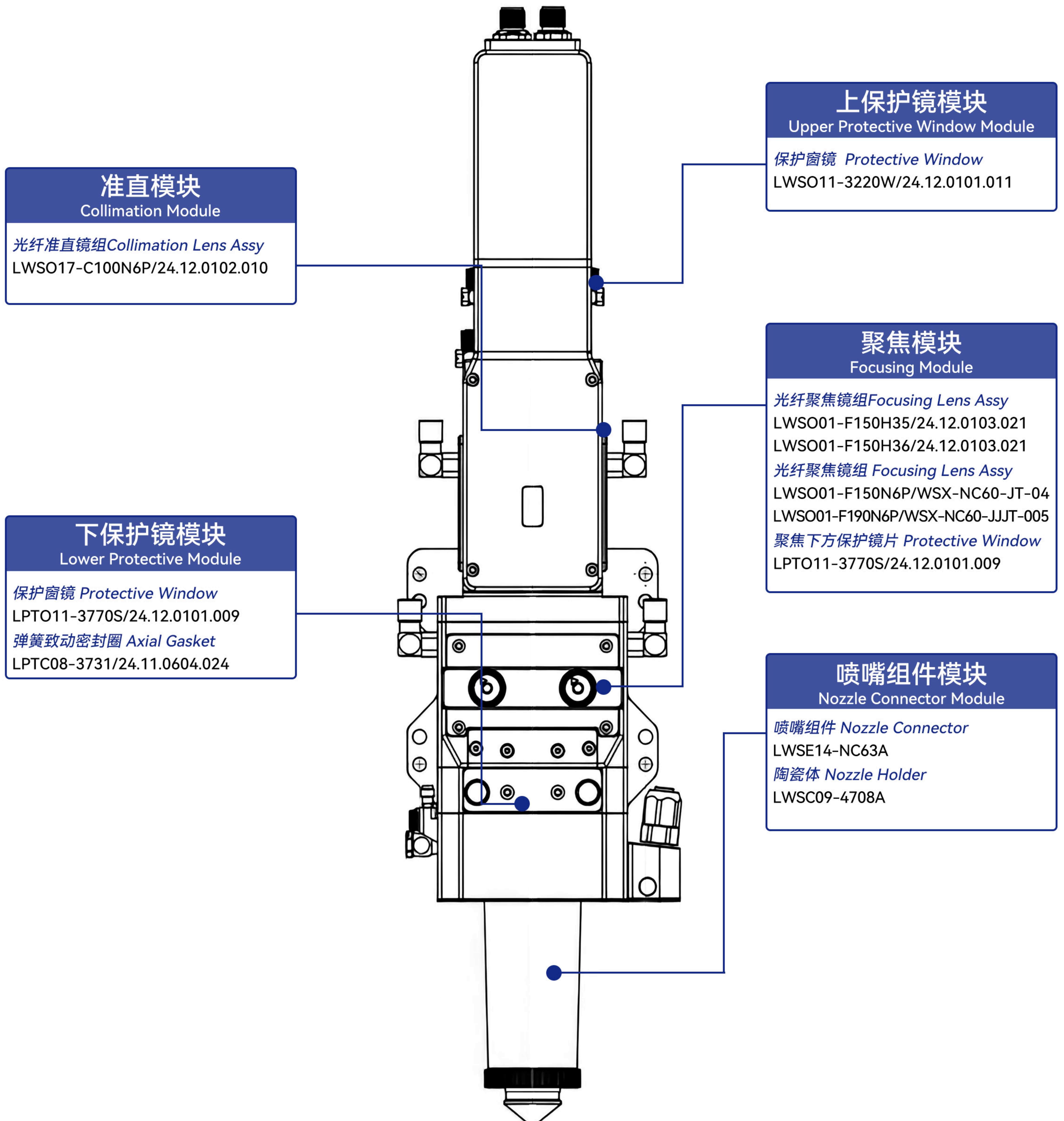
光纤聚焦镜组 Focusing Lens Assy
LWSO01-F150H35/24.12.0103.021
LWSO01-F150H36/24.12.0103.021
光纤聚焦镜组 Focusing Lens Assy
LWSO01-F150N6P/WSX-NC60-JT-04
LWSO01-F190N6P/WSX-NC60-JJIT-005
聚焦下方保护镜片 Protective Window
LPTO11-3770S/24.12.0101.009

喷嘴组件模块

Nozzle Connector Module

O型圈 O-Ring
LWSC08-1610
O型圈 O-Ring
LWSC08-2815
喷嘴组件 Nozzle Connector
LWSE14-NC62A
陶瓷体 Nozzle Holder
LPTC09-0003/22.01.0101.007
锁紧螺母 Lock Nut
LWSC09-0002A

NC63



准直模块

Collimation Module

光纤准直镜组 Collimation Lens Assy
LWSO17-C100N6P/24.12.0102.010

上保护镜模块

Upper Protective Window Module

保护窗镜 Protective Window
LWSO11-3220W/24.12.0101.011

下保护镜模块

Lower Protective Module

保护窗镜 Protective Window
LPTO11-3770S/24.12.0101.009
弹簧致动密封圈 Axial Gasket
LPTC08-3731/24.11.0604.024

聚焦模块

Focusing Module

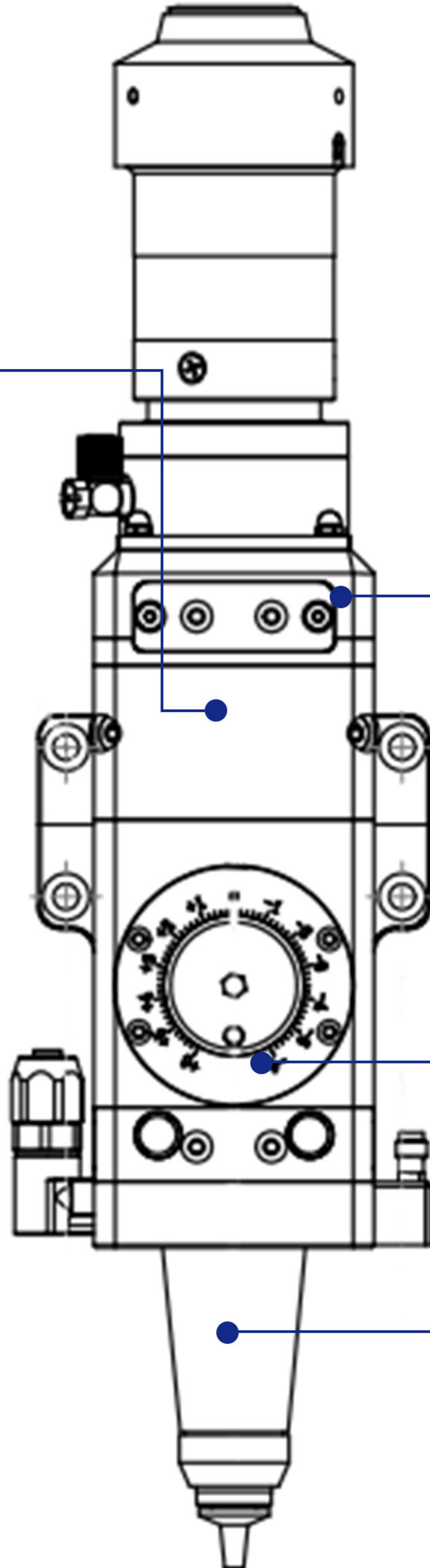
光纤聚焦镜组 Focusing Lens Assy
LWSO01-F150H35/24.12.0103.021
LWSO01-F150H36/24.12.0103.021
光纤聚焦镜组 Focusing Lens Assy
LWSO01-F150N6P/WSX-NC60-JT-04
LWSO01-F190N6P/WSX-NC60-JJIT-005
聚焦下方保护镜片 Protective Window
LPTO11-3770S/24.12.0101.009

喷嘴组件模块

Nozzle Connector Module

喷嘴组件 Nozzle Connector
LWSE14-NC63A
陶瓷体 Nozzle Holder
LWSC09-4708A

SW18



准直模块

Collimation Module

光纤准直镜组 Collimation Lens Assy
LWSO17-C075L11/24.12.0102.025
LWSO17-C075L12/24.12.0102.025
LWSO17-C100H37/24.12.0101.013
LWSO17-C100H38/24.12.0101.013
LWSO17-C100AD
LWSO17-C100AL

上保护镜模块

Upper Protective Window Module

保护窗镜 Protective Window
LPTO11-2235D/24.12.0101.001

聚焦模块

Focusing Module

光纤聚焦镜组 Focusing Lens Assy
LWSO01-F125AL/24.12.0103.001

喷嘴组件模块

Nozzle Connector Module

喷嘴组件 Nozzle Connector
LWSE14-SW18A
陶瓷体 Nozzle Holder
LWSC09-0004
锁紧螺母 Lock Nut
LWSC09-2411A