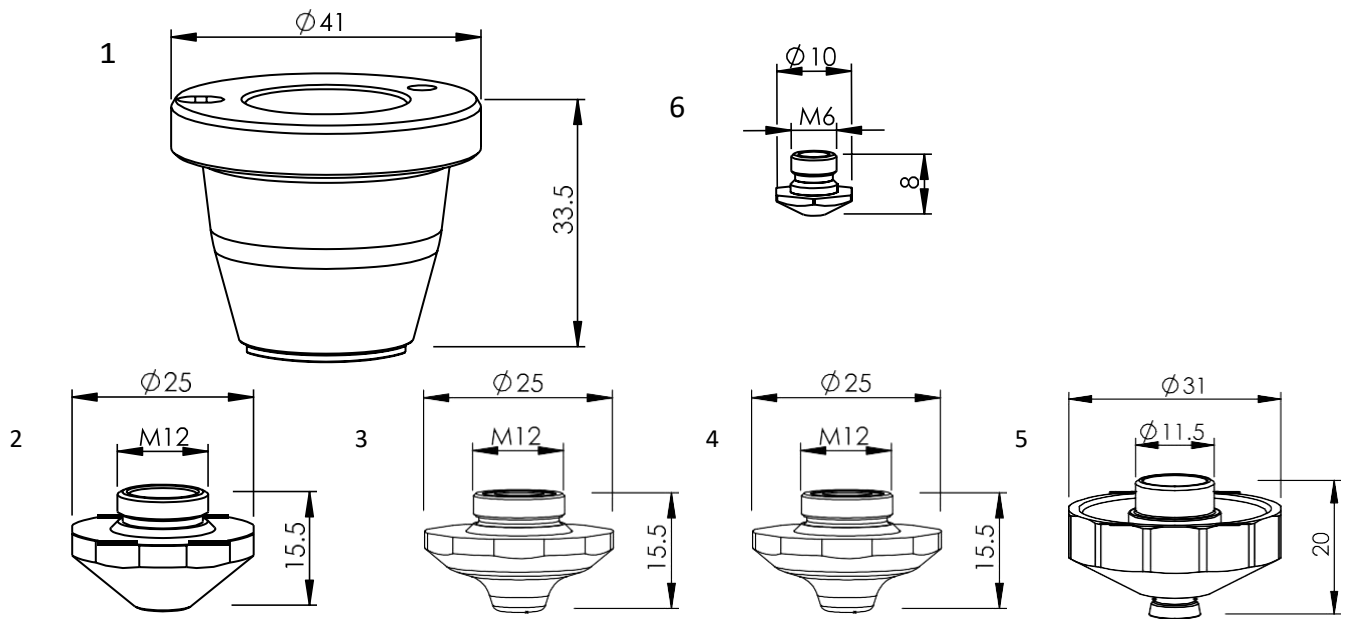


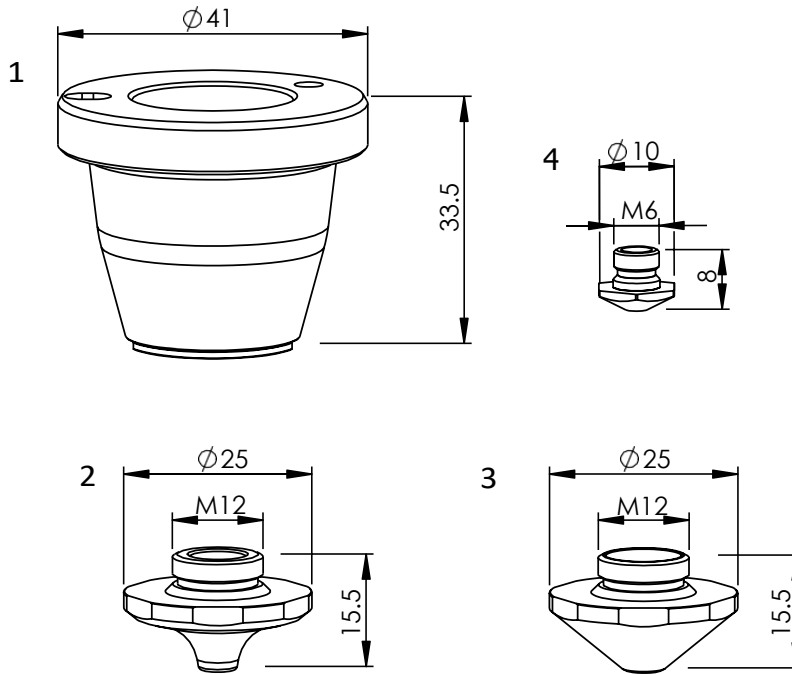
	Centricut P/N	Raysoar P/N	OEM Ref. No.	Description	Pkg qty
1	TR407-6032		1906032	TR-Nozzle holder, ceramic	1
2	TR407-9940		1879940	TR-Nozzle EGL, 1.4 mm	1
	TR407-9951		1879951	TR-Nozzle EGL, 1.7 mm	1
	TR407-9952		1879952	TR-Nozzle EGL, 2.0 mm	1
	TR407-9953		1879953	TR-Nozzle EGL, 2.3 mm	1



Consumables 易损件

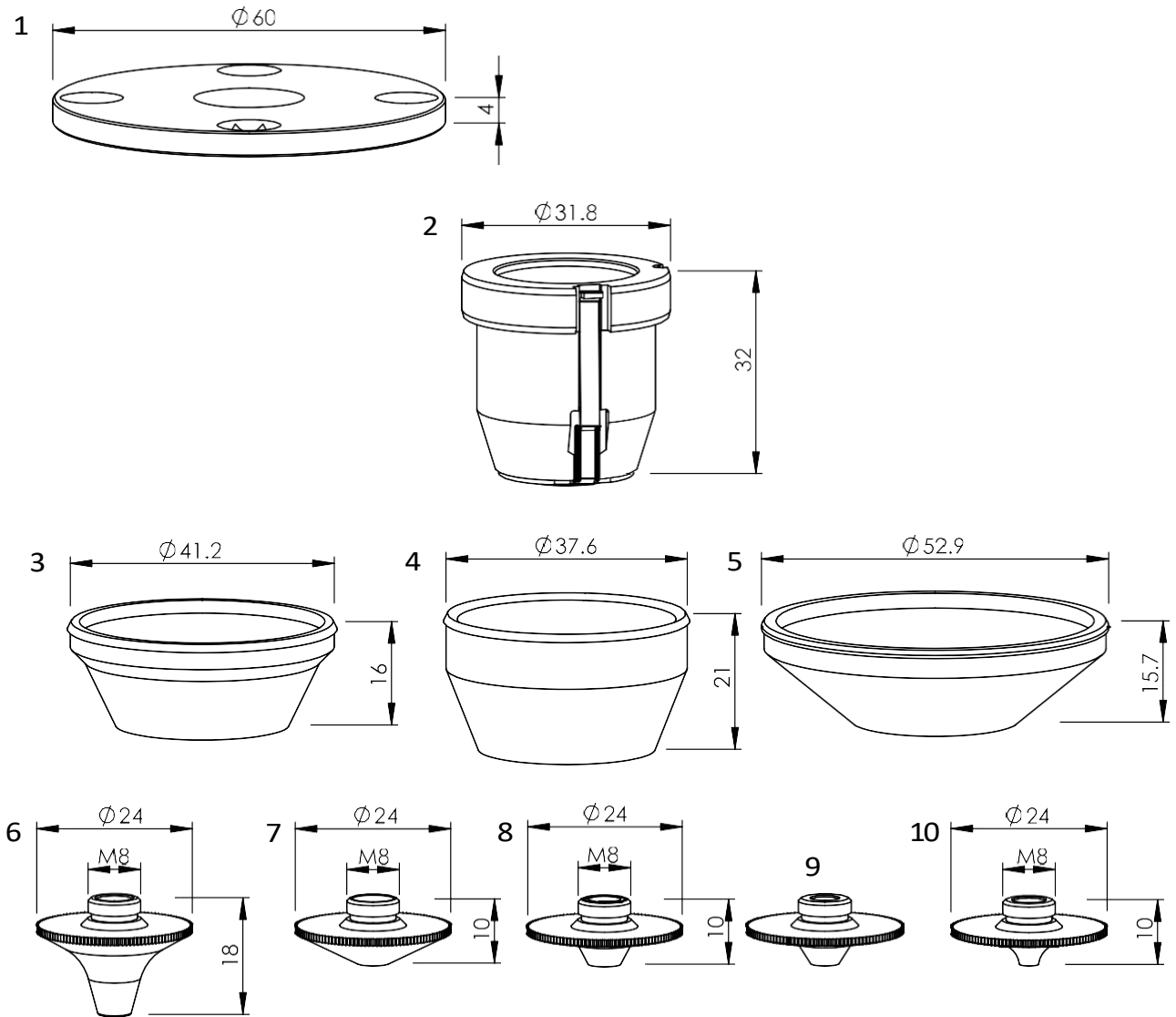
	Centricut P/N	Raysoar P/N	OEM Ref. No.	Description	Pkg qty
1	TR407-5673	LTRC09-5673D	1349171, 1755673	TR-Nozzle holder, ceramic	1
2	TR407-4858X	LTRN04-1508	1324858	TR-Nozzle EAA, 0.8 mm (10 pk)*	10
	TR407-4860X	LTRN04-1510	1324860	TR-Nozzle EAA, 1.0 mm (10 pk)*	10
	TR407-4861X	LTRN04-1512	1324861	TR-Nozzle EAA, 1.2 mm (10 pk)*	10
	TR407-4863X	LTRN04-1514	1324863	TR-Nozzle EAA, 1.4 mm (10 pk)*	10
	TR407-4864X	LTRN04-1517	1324864	TR-Nozzle EAA, 1.7 mm (10 pk)*	10
	TR407-4858CPHX		1324858	TR-Nozzle EAA, 0.8 mm HCP (10 pk)*	10
	TR407-4860CPHX		1324860	TR-Nozzle EAA, 1.0 mm HCP (10 pk)*	10
	TR407-4861CPHX		1324861	TR-Nozzle EAA, 1.2 mm HCP (10 pk)*	10
	TR407-4863CPHX		1324863	TR-Nozzle EAA, 1.4 mm HCP (10 pk)*	10
	TR407-4864CPHX		1324864	TR-Nozzle EAA, 1.7 mm HCP (10 pk)*	10
	TR407-4865X	LTRN04-1520	1324865	TR-Nozzle EAA, 2.0 mm (10 pk)*	10
	TR407-4866X	LTRN04-1523	1324866	TR-Nozzle EAA, 2.3 mm (10 pk)*	10
	TR407-4867X	LTRN04-1527	1324867	TR-Nozzle EAA, 2.7 mm (10 pk)*	10
	TR407-4865CPHX		1324865	TR-Nozzle EAA, 2.0 mm HCP (10 pk)*	10
	TR407-4866CPHX		1324866	TR-Nozzle EAA, 2.3 mm HCP (10 pk)	10
TR407-4867CPHX		1324867	TR-Nozzle EAA, 2.7 mm HCP (10 pk)	10	
3	TR407-9462	LTRN09-1525U	2059462	TR-Nozzle double EAU, 2.5 mm	1
	TR407-0001	LTRN09-1530U	2060001	TR-Nozzle double EAU, 3.0 mm	1
	TR407-0004	LTRN09-1540U	2060004	TR-Nozzle double EAU, 4.0 mm	1
	TR407-0025	LTRN09-1560U	2060025	TR-Nozzle double EAU, 6.0 mm	1
	TR407-3595	LTRN09-15100U	2253595	TR-Nozzle double EAU, 10.0 mm	1
4	TR407-9549	LTRN07-1525K	1579549	TR-Nozzle double EAK, 2.5 mm	1
	TR407-9556	LTRN07-1530K	1579556	TR-Nozzle double EAK, 3.0 mm	1
	TR407-5747	LTRN07-1540K	1835747	TR-Nozzle double EAK, 4.0 mm	1
5	TR407-4018		1774018	TR-Nozzle EFL, 1.4 mm	1
	TR407-8745		1838745	TR-Nozzle EFL, 1.7 mm	1
	TR407-4020		1774020	TR-Nozzle EFL, 2.0 mm	1
	TR407-4092		1774092	TR-Nozzle EFL, 2.3 mm	1
6	TR407-9610		1589610	TR-Nozzle Blow off EBM, 2.0 mm	1

*Available in single packs. To order single packs, remove the 'X' at the end of the part number (e.g. AM123-4567X would be AM123-4567)


Consumables

	Centricut P/N	Raysoar P/N	OEM Ref. No.	Description	Pkg qty
1	TR407-5673	LTRC09-5673D	1349171, 1755673	TR-Nozzle holder, ceramic	1
2	TR426-3324X	LTRN05-3324	1373324	TR-Nozzle EAB, 0.8 mm (10 pk)	10
	TR426-3325X	LTRN05-3325	1373325	TR-Nozzle EAB, 1.0 mm (10 pk)	10
	TR426-3326X	LTRN05-3326	1373326	TR-Nozzle EAB, 1.2 mm (10 pk)	10
	TR426-3327X	LTRN05-3327	1373327	TR-Nozzle EAB, 1.4 mm (10 pk)	10
	TR426-3328X	LTRN05-3328	1373328	TR-Nozzle EAB, 1.7 mm (10 pk)	10
	TR426-3329X	LTRN05-3329	1373329	TR-Nozzle EAB, 2.0 mm (10 pk)	10
	TR426-3330X	LTRN05-3330	1373330	TR-Nozzle EAB, 2.3 mm (10 pk)	10
	TR426-3331X	LTRN05-3331	1373331	TR-Nozzle EAB, 2.7 mm (10 pk)	10
3	TR426-1308X	LTRN06-1508D		TR-Nozzle double, 0.8 mm (10 pk)	10
	TR426-1309X	LTRN06-1508D		TR-Nozzle double, 1.0 mm (10 pk)	10
	TR426-1310X	LTRN06-1512D		TR-Nozzle double, 1.2 mm (10 pk)*	10
	TR426-1311X	LTRN06-1514D		TR-Nozzle double, 1.4 mm (10 pk)*	10
	TR426-1312X	LTRN06-1517D		TR-Nozzle double, 1.7 mm (10 pk)	10
	TR426-1313X	LTRN06-1520D		TR-Nozzle double, 2.0 mm (10 pk)*	10
	TR426-1314X	LTRN06-1523D		TR-Nozzle double, 2.3 mm (10 pk)	10
	TR426-1315X	LTRN06-1527D		TR-Nozzle double, 2.7 mm (10 pk)	10
	TR426-1308CPHX			TR-Nozzle double, 0.8 mm HCP (10 pk)	10
	TR426-1309CPHX			TR-Nozzle double, 1.0 mm HCP (10 pk)	10
	TR426-1310CPHX			TR-Nozzle double, 1.2 mm HCP (10 pk)	10
	TR426-1311CPHX			TR-Nozzle double, 1.4 mm HCP (10 pk)	10
	TR426-1312CPHX			TR-Nozzle double, 1.7 mm HCP (10 pk)	10
	TR426-1313CPHX			TR-Nozzle double, 2.0 mm HCP (10 pk)	10
	TR426-1314CPHX			TR-Nozzle double, 2.3 mm HCP (10 pk)	10
	TR426-1315CPHX			TR-Nozzle double, 2.7 mm HCP (10 pk)	10
4	TR407-9610		1589610	TR-Nozzle blow off EB, 2.0 mm	1

*Available in single packs. To order single packs, remove the 'X' at the end of the part number (e.g. AM123-4567X would be AM123-4567)

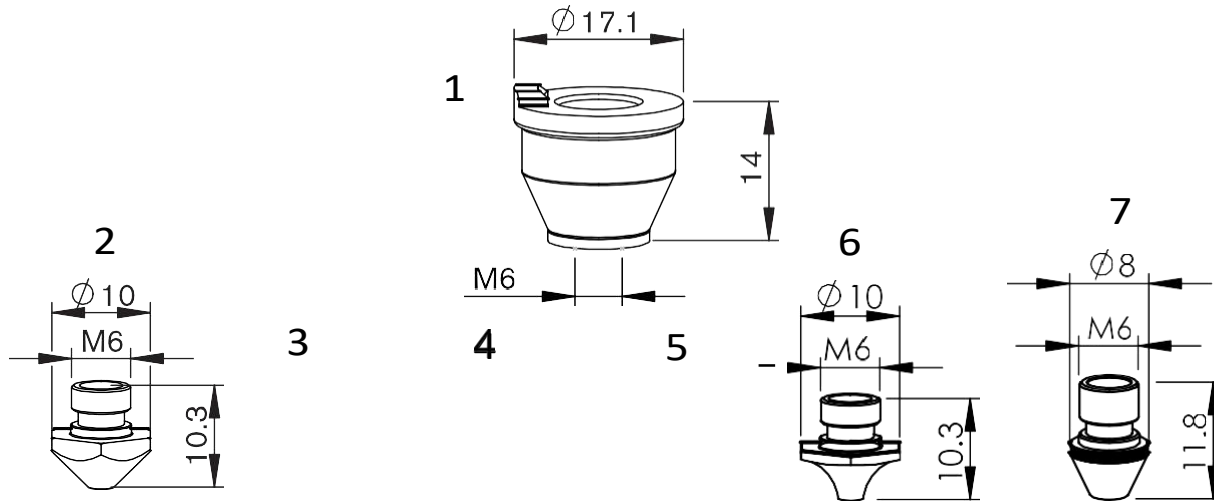

Consumables

	Centricut P/N	Raysoar P/N	OEM Ref. No.	Description	Pkg qty
1	TR301-4485		234485	TR-Breakaway plate	1
2	TR301-0432		254493, 260432	TR-Nozzle holder, ceramic	1
3	TR301-4496		254496	TR-Cover, PTFE**	1
4	TR301-6153	LTRC09-6153T	256153, 955826	TR-Cover, PTFE** (white)	1
	TR301-6153T		256153, 955826	TR-Cover, PTFE** (black)	1
5	TR301-5286		225286	TR-Cover, PTFE**	1

	Centricut P/N	Raysoar P/N	OEM Ref. No.	Description	Pkg qty
6	TR301-7773		1277773	TR-Nozzle, 0.8 mm	1
	TR301-7771		1277771	TR-Nozzle, 1.0 mm	1
	TR301-7774		1277774	TR-Nozzle, 1.2 mm	1
	TR301-7776		1277776	TR-Nozzle, 1.4 mm	1
	TR301-7779		1277779	TR-Nozzle, 1.7 mm	1
	TR301-7780		1277780	TR-Nozzle, 2.0 mm	1
	TR301-7781		1277781	TR-Nozzle, 2.3 mm	1
	TR301-7782		1277782	TR-Nozzle, 2.7 mm	1
7	TR301-7872X		237872	TR-Nozzle shower, 0.8 mm (10 pk)*	10
8	TR355-0005X			TR-Nozzle double, 0.8 mm (10 pk)*	10
	TR355-0001X			TR-Nozzle double, 1.0 mm (10 pk)*	10
	TR355-0006X			TR-Nozzle double, 1.2 mm (10 pk)*	10
	TR355-0002X			TR-Nozzle double, 1.4 mm (10 pk)*	10
	TR355-0003X			TR-Nozzle double, 1.7 mm (10 pk)*	10
	TR355-0007X			TR-Nozzle double, 2.0 mm (10 pk)*	10
	TR355-0004X			TR-Nozzle double, 2.3 mm (10 pk)*	10
	TR355-0008X			TR-Nozzle double, 2.7 mm (10 pk)*	10
	TR355-0009X			TR-Nozzle double, 3.0 mm (10 pk)*	10
	TR355-0007CPX			TR-Nozzle double, 2.0 mm CP (10 pk)*	10
9	TR412-0014X			TR-Nozzle HD, 1.4 mm (10 pk)*	10
	TR412-0017X			TR-Nozzle HD, 1.7 mm (10 pk)*	10
	TR301-0001X			TR-Nozzle HD, 2.3 mm (10 pk)*	10
10	TR412-1014CPX			TR-Nozzle HD, 1.4 mm CP (10 pk)	10
	TR412-1023CP			TR-Nozzle HD, 2.3 mm CP	1

* Available in single packs. To order single packs, remove the 'X' at the end of the part number (e.g. AM123-4567X would be AM123-4567)

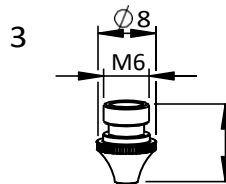
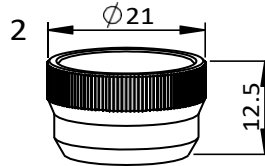
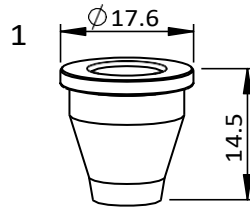
** PolyTetraFluoroEthylene is a fluorocarbon-based polymer and is commonly abbreviated PTFE. The Teflon® brand of PTFE is manufactured only by DuPont and is not sold by Hypertherm. Hypertherm purchases other brands of PTFE from various high quality manufacturers.


Consumables 易损件

	Centricut P/N	Raysoar P/N	OEM Ref. No.	Description	Pkg qty
1	TR302-2405		280408, 092405, P0494-752-00001	TR-Nozzle holder KT M1.5" KN OEM	1
2	TR302-6939X		226939	TR-Nozzle, 1.0 mm (10 pk)*	10
	TR302-6940X		226940	TR-Nozzle HD, 1.4 mm (10 pk)*	10
	TR302-7144X		227144	TR-Nozzle HD, 1.7 mm (10 pk)*	10
3	TR302-7364X		237364	TR-Nozzle shower, 1.0 mm (10 pk)*	10
4	TR302-4230X		135420, 1354230	TR-Nozzle EBD, 0.8 mm (10 pk)*	10
	TR302-2334X		212334	TR-Nozzle EBD, 1.0 mm (10 pk)*	10
	TR302-0008CPX		135420, 1354230	TR-Nozzle EBD, 0.8 mm CP (10 pk)	10
	TR302-2334CPX		212334	TR-Nozzle EBD, 1.0 mm CP (10 pk)	10
	TR302-0009X			TR-Nozzle EBD HD, 0.8 mm (10 pk)	10
	TR302-0004X			TR-Nozzle EBD HD, 1.0 mm (10 pk)*	10
	TR302-6199X		216199	TR-Nozzle EBD HD, 1.4 mm (10 pk)*	10
	TR302-5213X		225213	TR-Nozzle EBD HD, 1.7 mm (10 pk)*	10
	TR302-7009X		1487009	TR-Nozzle EBD HD, 2.0 mm (10 pk)*	10
	TR302-6156X		126156	TR-Nozzle EBD HD, 2.3 mm (10 pk)*	10
	TR302-6125X			TR-Nozzle EBD HD, 2.5 mm (10 pk)	10
	TR302-0027X			TR-Nozzle EBD HD, 2.7 mm (10 pk)	10
	TR302-0009CPX			TR-Nozzle EBD HD, 0.8 mm CP (10 pk)	10
	TR302-0004CPX			TR-Nozzle EBD HD, 1.0 mm CP (10 pk)	10
	TR302-6198X		1479581	TR-Nozzle EBD HD, 1.2 mm (10 pk)*	10
	TR302-6199CPX		216199	TR-Nozzle EBD HD, 1.4 mm CP (10 pk)	10
	TR302-5213CPX		225213	TR-Nozzle EBD HD, 1.7 mm CP (10 pk)*	10
	TR302-6156CPX		126156	TR-Nozzle EBD HD, 2.3 mm CP (10 pk)	10
5	TR302-5320X		135320	TR-Nozzle, 1.0 mm (10 pk)	10
	TR302-5318X		135318	TR-Nozzle HD, 1.4 mm (10 pk)*	10
	TR302-0017X			TR-Nozzle HD, 1.7 mm (10 pk)*	10

	Centricut P/N	Raysoar P/N	OEM Ref. No.	Description	Pkg qty
6	TR302-5320X		135320	TR-Nozzle, 1.0 mm (10 pk)	10
	TR302-5318X		135318	TR-Nozzle HD, 1.4 mm (10 pk)*	10
	TR302-0017X			TR-Nozzle HD, 1.7 mm (10 pk)*	10
7	TR302-1409X		2241409	TR-Nozzle EBC, 2.0 mm (10 pk)	10
	TR302-5524X		2085524	TR-Nozzle EBC, 2.6 mm (10 pk)	10
	TR302-1406X NEW		2241406	TR-Nozzle EBC X31, 1.6 mm (10 pk)	10
	TR302-1407X NEW		2241407	TR-Nozzle EBC X12, 1.8 mm (10 pk)	10
	TR302-1524X NEW		2241524	TR-Nozzle EBC X35, 2.6 mm (10 pk)	10

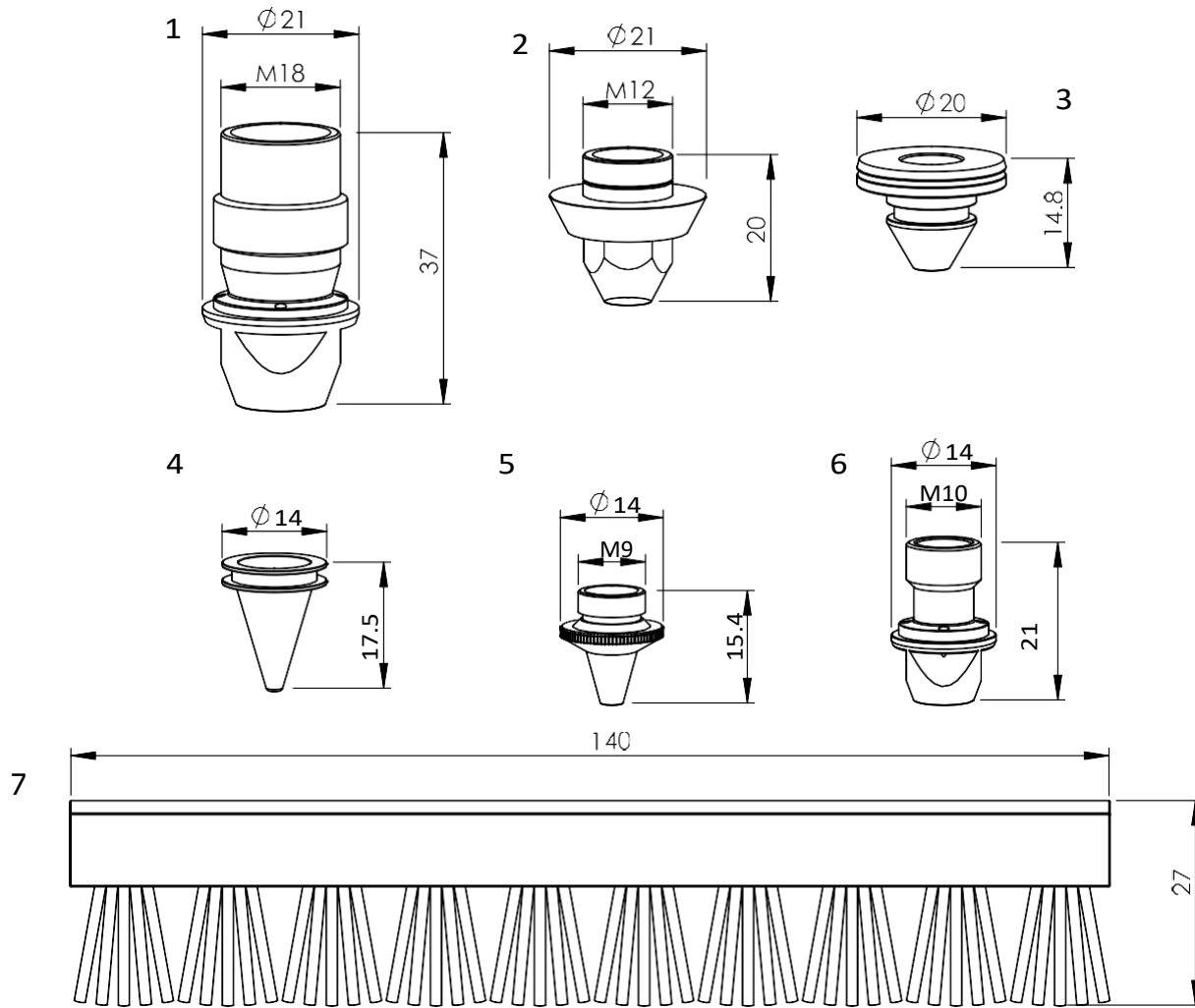
* Centricut parts available in single packs. To order single packs, remove the 'X' at the end of the part number (e.g. TR302-4230X would be TR302-4230).


Consumables

	Centricut P/N	Raysoar P/N	OEM Ref. No.	Description	Pkg qty
	TR302-0354 (not shown)		960354	TR-Insulating, PTFE**	1
1	TR302-6678 Recommended	LTRC09-6678	936678, 913966/00-WO	TR-Nozzle holder, ceramic	1
	TR302-6678OEM		936678, 913966/00-WO	TR-Nozzle holder, ceramic OEM	1
2	TR352-3965		913965	TR-Retainer nut	1
3	TR302-8206X		958206	TR-Nozzle, 0.25 mm (10 pk)*	10
	TR352-3799X		913799	TR-Nozzle EBG HD, 0.8 mm (10 pk)*	10
	TR352-3800X		913800	TR-Nozzle EBG HD, 1.0 mm (10 pk)*	10
	TR352-7034X		1487034	TR-Nozzle EBG HD, 1.2 mm (10 pk)*	10
	TR352-3801X		913801	TR-Nozzle EBG HD, 1.4 mm (10 pk)*	10
	TR352-7988X		937988	TR-Nozzle HD, 1.7 mm (10 pk)*	10
	TR352-7991X			TR-Nozzle HD, 1.75 mm (10 pk)*	10
	TR352-7990X		1487036	TR-Nozzle HD, 2.0 mm (10 pk)*	10
	TR352-7989X		937989	TR-Nozzle EBF HD, 2.3 mm (10 pk)*	10
	TR352-3800CPX		913800	TR-Nozzle EBG HD, 1.0 mm CP (10 pk)*	10
	TR352-7034CPX		1487034	TR-Nozzle EBG HD, 1.2 mm CP (10 pk)*	10
	TR352-3801CPX		913801	TR-Nozzle EBG HD, 1.4 mm CP (10 pk)*	10
	TR352-7988CPX		937988	TR-Nozzle HD, 1.7 mm CP (10 pk)*	10
	TR352-7990CPX			TR-Nozzle HD, 2.0 mm CP (10 pk)*	10
	TR352-7989CPX		937989	TR-Nozzle EBF HD, 2.3 mm CP (10 pk)*	10

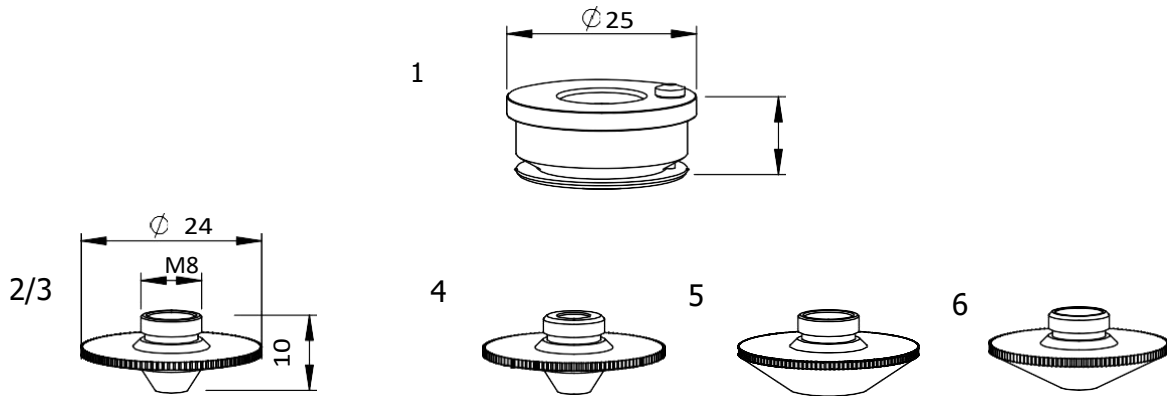
*Centricut parts available in single packs. To order single packs, remove the 'X' at the end of the part number (e.g. TR302-4230X would be TR302-4230).

** PolyTetraFluoroEthylene is a fluorocarbon-based polymer and is commonly abbreviated PTFE. The Teflon® brand of PTFE is manufactured only by DuPont and is not sold by Hypertherm. Hypertherm purchases other brands of PTFE from various high quality manufacturer.


Consumables 易损件

	Centricut P/N	Raysoar P/N	OEM Ref. No.	Description	Pkg qty
1	TR352-0783		220783	TR-Nozzle welding M18	1
2	TR352-2530CP		932530	TR-Nozzle, 4.5 mm CP	1
3	TR303-2952		202952	TR-Nozzle, 0.8 mm	1
	TR303-0969		218969	TR-Nozzle, 1.0 mm	1
	TR303-7953		217953	TR-Nozzle HD, 1.7 mm	1
4	TR414-0008		12-11-16-00	TR-Nozzle YAG w/o-ring, 0.8 mm	1
	TR414-0012		12-11-09-17/00	TR-Nozzle YAG w/o-ring, 1.2 mm	1
5	PT344-1813X		281813, P0589-424-00008	PT-Nozzle, 0.8 mm (10 pk)*	10
	PT344-1789X		281789, P0589-426-00010	PT-Nozzle, 1.0 mm (10 pk)*	10
	PT344-1561X		281561, 778550, P0589-425-00012	PT-Nozzle, 1.2 mm (10 pk)*	10
	PT344-1499X		281814, 149957	PT-Nozzle, 1.5 mm (10 pk)*	10
	PT344-0020X		P0589-428-00020	PT-Nozzle, 2.0 mm (10 pk)	10
6	TR352-4947		924947	TR-Nozzle welding M10	1
7	TR301-3202		0353202, 900594	TR-Brush	1

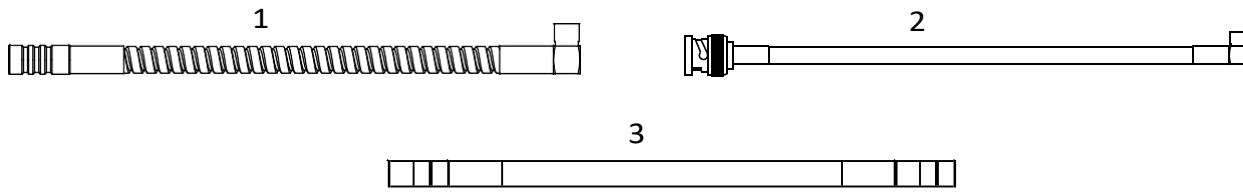
* Centricut parts available in single packs. To order single packs, remove the 'X' at the end of the part number (e.g. TR355-0005X would be TR355-0005).



Consumables

	Centricut P/N	Raysoar P/N	OEM Ref. No.	Description	Pkg qty
1	TR301-8809		258809, 243839, 247894	TR-Nozzle holder, ceramic	1
	TR301-8809OEM		258809	TR-Nozzle holder, ceramic OEM	1
2	TR301-5780X		215780	TR-Nozzle, 0.8 mm (10 pack)	10
3	TR301-8894X		088894	TR-Nozzle HD, 1.4 mm (10 pk)*	10
	TR301-7867X		217867	TR-Nozzle HD, 1.7 mm (10 pk)*	10
4	TR412-0014X			TR-Nozzle HD, 1.4 mm (10 pk)	10
	TR412-0017			TR-Nozzle HD, 1.7 mm	1
5	TR301-8893X		088893	TR-Nozzle, 1.5 mm (10 pk)	10
	TR301-1781X		221781	TR-Nozzle, 2.0 mm (10 pk)	10
6	TR301-7872X		237872	TR-Nozzle shower, 0.8 mm (10 pk)	10

* s available in single packs. To order single packs, remove the 'X' at the end of the part number (e.g. TR355-0005X would be TR355-0005).


Consumables

	Centricut P/N	Raysoar P/N	OEM Ref. No.	Description	Pkg qty
1	TR301-9983		342474, 359983	TR-Sensor cable, 190 mm (7.5") armored	1
2	TR301-7833		227833	TR-Sensor cable, 432 mm (17")	1
3	TR301-0930		280930	TR-Sensor cable, 152 mm (6") armored	1

Optics



CO2 Focus Lens

	Raysoar P/N	OEM Ref. No.	Description	Brandname
1	LTRO01-1982	088114	Lens Men 1.5"Dia/5.0"FL/7.4mmET	OPHIR
2	LTRO01-1983	097517	Lens Men 1.5"Dia/7.5"FL/7.4mmET	OPHIR
3	LTRO01-1091	1772319	130mm F/L, D40, 7.5mm ET, Cut Lens (With RFID Chip)	OPHIR
4	LTRO01-1090	1770805	250mm F/L, D40, 7.5mm ET, Cut Lens (With RFID Chip)	OPHIR
5	LTRO01-1089	1795719	175mm F/L, D50, 8.9mm ET, Cut Lens (With RFID Chip)	OPHIR
6	LTRO01-1088	1796128	250mm F/L, D50, 8.9mm ET, Cut Lens (With RFID Chip)	OPHIR



CO2 Focus Lens

	Raysoar P/N	OEM Ref. No.	Description	Brandname
1	LTRO01-1982A	088114	Lens Men 1.5"Dia/5.0"FL/7.4mmET	Raypower
2	LTRO01-1983A	097517	Lens Men 1.5"Dia/7.5"FL/7.4mmET	Raypower
3	LTRO01-0117A	380117	130mm F/L, D40, 7.5mm ET, Cut Lens (Without RFID Chip)	Raypower
4	LTRO01-0115A	380115	250mm F/L, D40, 7.5mm ET, Cut Lens (Without RFID Chip)	Raypower
5	LTRO01-0448A	1330448	175mm F/L, D50, 8.9mm ET, Cut Lens (Without RFID Chip)	Raypower
6	LTRO01-0443A	1330443	250mm F/L, D50, 8.9mm ET, Cut Lens (Without RFID Chip)	Raypower



CO2 Folding Mirror CO2

	Raysoar P/N	OEM Ref. No.	Description	Brandname
1	LTRO02-9881	129881	Mirror SI ZPS 2.67"DIA/.80"ET	II-VI
2	LTRO02-9880	129880	Mirror SI PS 2.67"DIA/.80"ET	II-VI
3	LTRO02-0689	744839, 865013	Mirror Cu TRZ 2.67"Dia/1.34"ET WC	II-VI
4	LTRO02-2070	352070	Mirror SI TRZ 2.67"Dia/.800"ET	II-VI
5	LTRO02-7214	85460	Mirror CU PS 2.0"DIA/.375"ET	II-VI
6	LTRO02-1373	1561373 / 0139367 / 1325842	Cu 0 Phase Shift 68mm x 20.32mm Deviating mirror adaptive mirror 11M - 18M	II-VI
7	LTRO02-5842	1325842	DEVIATING MIRROR D68 CU 9392-89	II-VI
8	LTRO02-9947	1235309	VRM-0-10.6-20-0.3: 3.5-6C-6X-TRZ	II-VI



CO2 Optics for Oscillator

	Raysoar P/N	OEM Ref. No.	Description	Brandname
1	LTRO02-2772	1520761/976345/1331867	Mirror SI TRZ 1.5"DIA/.375"ET SEG	II-VI
2	LTRO03-1692	1331692/1331687	Mirror ZNSE OC 1.0"Dia/.236"ET PO/PO 40%AR	II-VI
3	LTRO03-4314	1335092,1260168,1263030	Mirror ZNSE OC 1.0"Dia/.236"ET PO/PO 50%AR TruLaser 3030/3040/3060,TruFlow 3200	II-VI
4	LTRO04-7551	957536/957551/0957536	Mirror GA RM 1.0"Dia/0.236"ET 20MCC-99.7	II-VI



Fiber Optics

	Raysoar P/N	OEM Ref. No.	Description	Brandname
1	LPTO11-3050D	0766719	Fused Silica PW D30.00 T5.0 AR/AR@1064nm	Raypower
2	LTRO11-3450D	1614767/HG17.513/04.17.0152	Fused Silica PW D34.00 T5.0 AR/AR@1064nm	Raypower
3	LTRO11-5515D	0759720/HG17.515	Fused Silica PW D55.00 T1.50 AR/AR@1064nm BS	Raypower
4	LPTO11-13430D	1254813	Fused Silica PW D134.00 T3.0 AR/AR@1064nm	Raypower
5	LTRO11-9630D	795807	Fused Silica PW D96.00 T3.0 AR/AR@1064nm	Raypower
6	LPTO11-2450D	1792250	Fused Silica PW D24.00 T5.0 AR/AR@1064nm	Raypower
7	LTRO01-3190		Fused Silica Focus Lens D40 F150	OPHIR
8	LTRO01-3120		Fused Silica Focus Lens D50 F220	OPHIR


Air Filter

	Raysoar P/N	OEM Ref. No.	Description
1	LTRP07-3083		543083 MS4-LFR-1/4-D6-E-R-H-AS
2	LTRP07-3105	0133105	Filter cartridge VAF-PK-6 (2pcs or 3pcs)
3	LTRP07-4032	0364032	Filter cartridge 40µmMS6 MS6-LFP-E
4	LTRP07-4033	0364033	Filter cartridge 40 µm MS4-LFP-E
5	LTRP07-7004D	0123676, 0377004	Filter U0310 VF/FILTER ELEMENT AKI(2 pcs)
6	LTRP07-7005D	0123675, 0377005	Filter U0310 SMA/FILTER ELEMENT A
7	LTRP07-7006D	0123674, 0377006	Filter U0310 CA/FILTER ELEMENT BI
8	LTRP07-7709		527709 MS4-EE-1/4-V24P
9	LTRP07-7924		Filter element C MS6(Cutting gas supply cpl. 8753-2677-000)
10	LTRP07-9320	0369320	Micro filter cartridge MS6-LFM-1/2-AIRVMS6-LFM-AI
11	LTRP07-9321	0369321	Fine filter cartridge MS6-LFM-1/2-BIRVC MS6-LFM-BI
12	LTRP07-9323	0369323	Active carbon filter cartridge MS6-LFX-1/2-AKIRMS6-LFX-AKI
13	LTRP07-9445	0369445	MS6-LFP-C Filter cartridgeMS6-LPC-C


Water Cooling Unit

	Raysoar P/N	OEM Ref. No.	Description
1	LTRW07-6152	146152	Original Chisso filter for water circuit 30 x 68 x 248 mm
2	LTRW07-6153	146153	
3	LTRW07-3137	1933137	Original Chisso filter for water circuit 30 x 68 x 500 mm
4	LTRW07-8631	1888631	Original Chisso filter for water circuit 28 x 62 x 508 mm
5	LTRP07-1860		Air-Filter for cooling aggregate 600 x 1800X 8mm
6	TR301-5942	115942	TR-Air filter



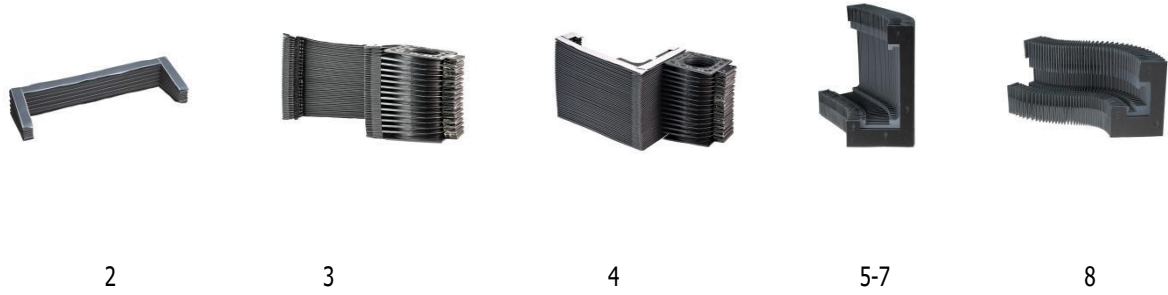
Dust Extraction Unit

	Raysoar P/N	OEM Ref. No.	Description
1	LRSP07-0757	0380757	Filter panel suitable for extraction unit 685x97x1090mm
2	LRSP07-5064	0345064	Filter panel suitable for extraction unit 556x74x1050 mm, H13
3	LTRP07-9026D	0349026	Dust collection filter,600mm*330mm For TL7000



Oscillater

	Raysoar P/N	OEM Ref. No.	Description
1	LTRE18-2048	1237260/0932468	RS2048CJC RF End Stage Tube Transmission tube suitable for Trumpffrom 5 KW laser powerEuropean Premium Line (Old P/N LTRE18-7260)
2	LTRE18-2048D	1237260/0932468	RS2048CJC RF End Stage Tube Transmission tube suitable for Trumpffrom 5 KW laser powerEuropean Premium Line(Old P/NLTRE18-7260)
3	LTRE18-3021	142307/0120730/087627/093266/932468/1800928	RS 3021 CJ RF End Stage Tube Transmission tube suitable for Trumpfup to 4 kW laser powerEuropean Premium Line
4	LTRW09-0002		Water Flowmeter Coil



Bellows

	Raysoar P/N	OEMRef.No.	Description	Machine Type
1	LTRM12-1554	1561554	Z Axis Bellow 3030 L20/L55	3030 L20/L55
2	LTRM12-2607	1512607	Z Axis Bellow 3030 L20/L55	3030 L20/L55
3	LTRM12-6435AF	1496435	Y Beam/Rail Combo Bellow (Round) (Right) 3030 L20/L55	3030 L20/L55
4	LTRM12-6436AF	1496436	Y Beam Path/Rail Combo Bellow (Round) (Left) 3030 L20/L55	3030 L20/L55
5	LTRM12-8860AF	1458860	X Axis Beam Bellow (Round) (Front) 3030 L20/L55	3030 L20/L55
6	LTRM12-8861AF	1458861,1854032	X Axis Beam Path Bellow (Round) (Rear) 3030 L20/L55	3030 L20/L55
7	LTRM12-8866AF	1458866,1865268	X Axis Rail Bellow (Right) 3030 L20/L55	3030 L20/L55
8	LTRM12-8867AF	1458867,1865269	X Axis Rail Bellow (Left) 3030 L20/L55	3030 L20/L55
9	LTRM12-9968AF	1469968	Z Axis Beam Path Bellow 3030 L20/L55	3030 L20/L55



1



2



6

Bellows

	Raysoar P/N	OEMRef.No.	Description	Machine Type
1	LTRM12-0976	1570976,1570975	X Axis Rail Bellow (X2) 3040 L32	3040 L32
2	LTRM12-0977	1570977	X Axis Rail Bellow(Left) 3040 L32	3040 L32
3	LTRM12-1302AF	1561302	X Axis Beam Path Bellow (Front) 3040 L32	3040 L32
4	LTRM12-1303AF	1561303	X Axis Beam Path Bellow (Rear) 3040 L32	3040 L32
5	LTRM12-9318AF	1559318	Y Axis Round Beam/Rail Combo Bellow(Left) 3040 L32	3040 L32
6	LTRM12-9320AF	1559320	Y Axis Round Beam/Rail Combo Bellow(Right) 3040 L32	3040 L32



1



2



3



4



5



6



7



8

Bellows

	Raysoar P/N	OEMRef.No.	Description	Machine Type
1	LTRM12-0354AF	910354,2342414	Z Axis Beam Path Bellow (Rear) TC L3030 L11	L3030 L11
2	LTRM12-1394	0141394 141394 0921742 921742	Y Axis Rail Bellow (X2) TC L3030 L11	L3030 L11
3	LTRM12-1742	2012184	X Axis Rail Bellow (X4) TC L3030 L11	L3030 L11
4	LTRM12-1742-1	0921742 921742 2012184	X Axis Rail Bellow (X4) TC L3030 L11	L3030 L11
5	LTRM12-6466AF	939016,0939016,1306 466,2356591,1667805	Y Axis Beam Path Bellow (Left) TC L3030 L11	L3030 L11
6	LTRM12-6467AF	0920716,124394,9080 33,1306467,2356537,1 667801	Y Axis Beam Bellow (Right) TC L3030 L11	L3030 L11
7	LTRM12-6468AF	939015,0939015,1306 468,1667803,2356581	X Axis Beam Path Bellow (Rear) TC L3030 L11	L3030 L11
8	LTRM12-6469AF	920715,0920715,0124 393,124393,0908032,9 08032,1306469,16677 90,2356536,1667780	X Axis Beam Bellow (Front) TC L3030 L11	L3030 L11

Bellows

	Raysoar P/N	OEMRef.No.	Description	Machine Type
1	LTRM12-0719AF	920719,1354093,2335 130	Y Axis Beam Bellow (Right) L4030	L4030
2	LTRM12-1870	1883139,0921870,092 1871	X Axis Rail Bellow (X4) L4030	L4030
3	LTRM12-4092AF	0938000,1354092,233 5183	Y Axis Beam Path Bellow (Left) L4030	L4030
4	LTRM12-4949	0144949	Y Axis Rail Bellow (X2) L4030	L4030
5	LTRM12-6624AF	920719,1354093,2335 130	X Axis Beam Bellow (Front) L4030	L4030
6	LTRM12-9017AF	939017,2335182,0939 017,0342573,342573,1 354091	X Axis Beam Path Bellow (Rear) L4030	L4030
7	LTRM12-4090AC	1354090	X Axis Beam Path Bellow (Front) L4030	L4030



1



2



3



4



5



6

	Raysoar P/N	OEMRef.No.	Description	Machine Type
1	LTRM12-1514AF	1271514	U/X-Achse Round Beam Path Bellow L3050	L3050
2	LTRM12-1753	0981753,1302386,179 6166	U Axis Rail Bellow (Front & Rear) L3050	L3050
3	LTRM12-1756	981756,1302018,1596 088,1873857	X Axis Rail Bellow (Left/Rear) L3050	L3050
4	LTRM12-1757	0981757,1302020,159 6087,1873856	X Axis Rail Bellow (Left/Front & Rear) L3050	L3050
5	LTRM12-3514AF	1353514	Y Axis Round Beam/Rail Combo Bellow(Left) L3050	L3050
6	LTRM12-6193	1226193,0993338	Y Axis Rail Bellow(Right) L3050	L3050
7	LTRM12-3800AC	70P L3800	X Axis Rail Bellow (Left Rear) 5030 L3050	L3050
8	LTRM12-2750AC	50P L2750	X Axis Rail Bellow (Left Front) 5030 L3050	L3050



1



2



3



4



5



6



7



8



9



10



11



12



13



14

Optics Accessories

	Raysoar P/N	OEM Ref. No.	Description
1	LOPC15-1260		Focus Lens Stress Detection Kit (Ophir EZ Test)(1.5" lens) (1.5")
	LOPC15-1280		Focus Lens Stress Detection Kit (Ophir EZ Test)(2.0" lens (2")
2	LTRC15-7388		Mirror Polish .1UM 80ML
3	LRSC15-ALCO-500		Ethanol 99.7%
4	LRSC15-A236		IPA Isopropyl A236 400ml
5	LRSC15-GSBL		Air Duster 85g
6	LRSC15-FCS3		Optics Cleaning Liquid (Imported) 58ml
7	LRSC15-ACET-500		Optics Cleaning Liquid 500ml
8	LRSC15-0714		Knit polyester swabs 20pcs
9	LRSC15-759B		Knit polyester swabs 100pcs
10	LRSC15-9625		Knit polyester swabs 50pcs
11	TR300-6452		Original Tiffan Lens Cleaning Paper (50 sheets)
12	LRSC15-CLPA		Domestic Lens Cleaning Paper (40 sheets)
13	TR300-1115		Lens cleaning cotton pads -80 pcs
14	LRSC15-KT3008		Cleanroom wipers KX KT-3008 9"