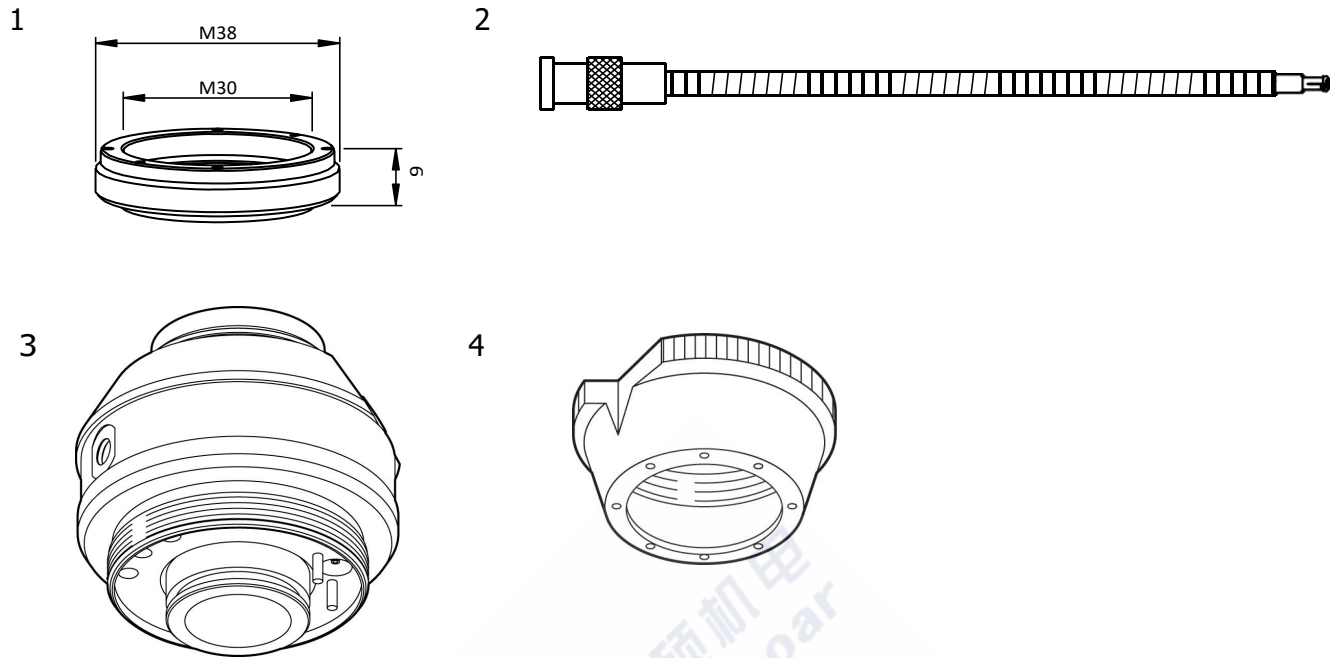


Consumables

	Centricut P/N	Raysoar P/N	OEM Ref. No.	Description	Pkg qty
1	PT311-0298		P0497-68871, P0497-615-00001	PT-Nozzle holder KTM 1.5" DXN, ceramic	1
2	PT311-1146OEM		281146, P0380-211-00001, 29100033	PT-Nozzle holder ITM 1.5" DZ OEM	1
	PT311-1146		281146, P0380-211-00001, 29100033	PT-Nozzle holder ITM 1.5" DZ	1
3	TK381-C20E-1		C20E, A546359	TK-Nozzle inner, 2.0 mm	1
	TK381-C17E-1		C17E-1	TK-Nozzle inner, 1.7 mm	1
4	TK364-C22D-1		C22D-1	TK-Nozzle inner, 2.2 mm	1
5	TK381-CZ20B-1		A546363	TK-Nozzle bevel inner, 2.0 mm	1
6	TK381-C20E-0		C20E	TK-Nozzle outer	1
7	TK364-C22D-0		C22D-0	TK-Nozzle outer	1
8	TK381-CZ20B-0			TK-Nozzle bevel outer	1
9	TK381-C20E-2		C20E, A546563	TK-Nozzle assembly (TK381-C20E-0/AL283 and TK381-C20E-1/L1200)	1
10	TK381-CZ20B-2		CZ20B-2, A54566	TK-Nozzle assembly (TK381-CZ20B-0/AL382 and TK381-CZ20B-1/L1195)	1
11	TK354-D40		58020240 D40	TK-Nozzle, 4.0 mm	1
	TK354-D50		58020250 D50	TK-Nozzle, 5.0 mm	1
12		LTKN01-S17B	S17B	TK-S Nozzle, 1.7 mm	
		LTKN01-S20B	S20B	TK-S Nozzle, 2.0 mm	
		LTKN01-S25B	S25B	TK-S Nozzle, 2.5mm	
		LTKN01-S30B	S30B	TK-S Nozzle, 3.0 mm	
		LTKN01-S50B	S50B	TK-S Nozzle, 5.0 mm	



Consumables 易损件

	Centricut P/N	Raysoar P/N	OEM Ref. No.	Description	Pkg qty
1	PT347-4297 PT311-0001		P0492-702-00001, 29100021 P0492-702-00002	PT-Insulating ring outer body PT-Insulating ring	1 1
2		LTKC09-0500D		KE 500gg Z VM 500mm	1
3		LPTE14-0380	P0380-140-00002	SE M1.5DZ/T	1
4		LPTC09-0130	P0497-130-00001	UNION NUT M1.5\" DXN	1

Optics—CO2 Focus Lens



	Raysoar P/N	OEM Ref. No.	Description	Brandname
1	LTKO01-3478	541344,263478	Lens Plx 2.0"Dia/8.75"FL/.310"ET	II-VI
2	LTKO01-7338	197338	Lens Plx 2.0"Dia/11.25"FL/.310"ET	II-VI
3	LTKO01-3827	243827	Lens Plx 2.5"Dia/8.75"FL/.310"ET	II-VI
4	LTKO01-6670	236670	Lens Plx 2.5"Dia/10.0"FL/.390"ET	II-VI
5	LTKO01-8937	178937	Lens Plx 2.5"Dia/11.25"FL/.310"ET	II-VI
6	LTKO01-8593	828593	Lens Plx 2.5"Dia/12.5"FL/.390"ET	II-VI

	Raysoar P/N	OEM Ref. No.	Description	Brandname
1	LTKO01-1344A	541344	Lens Plx 2.0"Dia/8.75"FL/.310"ET	Raysoar
2	LTKO01-7338A	197338	Lens Plx 2.0"Dia/11.25"FL/.310"ET	Raysoar
3	LTKO01-3827A	243827	Lens Plx 2.5"Dia/8.75"FL/.310"ET	Raysoar
4	LTKO01-6670A	236670	Lens Plx 2.5"Dia/10.0"FL/.390"ET	Raysoar
5	LTKO01-8937A	178937	Lens Plx 2.5"Dia/11.25"FL/.310"ET	Raysoar
6	LTKO01-8593A	828593	Lens Plx 2.5"Dia/12.5"FL/.390"ET	Raysoar

CO2 Folding Mirror



	Raysoar P/N	OEM Ref. No.	Description	Brandname
1	LK0002-6711	850513,A403295-250	MIRROR SI TRZ 3.00"DIA/.250"ET/45DEG	II-VI
2	LTK002-7768	697768,H042984	MIRROR SI PS 3.00"DIA/.236"ET/90DEG	II-VI

CO2 Optics for Oscillator



	Raysoar P/N	OEM Ref. No.	Description	Type of Oscillator	Brandname
1	LAMO02-2132		Mirror SI PS 2.0"DIA/.200"ET 98.5%R	C2000B,C,E,iB/C3000,B,C,D/C4000A,E,iB/C6000A,B	II-VI
2	LFAO02-1534		Mirror SI TRZ 2.0"DIA/.200" ET	C2000B,C,E,iB/C3000,B,C,D/C4000A,E,iB/C6000A,B	II-VI
3	LFAO02-8825		Mirror SI MMR 2.0"DIA/.200" ET (Internal)	C2000B,C,E,iB/C3000,B,C,D/C4000A,E,iB/C6000A,B	II-VI
4	LFAO03-2030		ZnSe Partial Reflector,1.5"D*0.315"ET	C4000A/C4000E/C4000iA	II-VI
5	LFAO03-3827		ZnSe Partial Reflector,1.5"D*0.315"ET	C6000iA/B C6000E/C4000iB/C4000iC	II-VI
6	LFAO03-4977		ZnSe Partial Reflector,1.5"D*0.315"ET	C2000B/C2000C/C2000E/C2000i-A	II-VI
7	LFAO03-5303		ZnSe Partial Reflector 1.5"D*0.315"ET	C4000i-A AMADA	II-VI
8	LFAO03-6260		ZnSe Partial Reflector 1.5"D*0.315"ET	C2000iB/C2500E/C2000iC	II-VI
9	LFAO03-7295		ZnSe Partial Reflector,1.5"D*0.315"ET		II-VI
10	LFAO04-2644		Ge Partial Reflector 1.5"D*0.315"ET	C2000iB/C2500E/C2000iC	II-VI
11	LFAO04-7088		Ge Partial Reflector 1.5"D*0.315"ET	C6000iA/B C6000E/C4000iB/C4000iC	II-VI
12	LFAO04-7102		Ge Partial Reflector,1.5"D*0.315"ET	C2000B/C2000C/C2000E/C2000i-A	II-VI
13	LFAO04-7692		Ge Partial Reflector,1.5"D*0.315"ET	C4000A/C4000E/C4000iA	II-VI

Fiber Optics



	Raysoar P/N	OEM Ref. No.	Part Name	Description	Brandname
1	LNT011-5080D		Protective Window	Fused Silica PW D50.00 T8.0 AR/AR@1064nm	Raypower

Oscillater



15



16



17

	Raysoar P/N	OEM Ref. No.	Description
1	LFAE18-B315	A14B-0082-B315-01	Matching Box
2	LFAE18-D410		TRIGGER ELCTRODE
3	LFAL08-2030	A98L-0001-0619#2030	O-Ring(#2030),Ouput Coupler/Rear Mirror
4	LFAL08-2031	A98L-0001-0619#2031	O-Ring(#2031),Ouput Coupler/Rear Mirror
5	LFAL08-P10	JB-OR4D-P10	Trigger O-Ring
6	LFAL08-P26S	A98L-0003-0004#P26S	SD3.55-ID26.5
7	LFAL08-P38	JB-OR4D-P38	SD3.55-ID37.50-Ring(P38),Ouput Coupler/Rear Mirror
8	LFAL08-P41	JB-OR4D-P41	O-Ring(P41),Ouput Coupler/Rear Mirror
9	LFAL21-0396	A90L-0001-0396	Fan for PSU
10	LFAL21-1608		Cooling Fan 40*40*20mm 24V 0.08A
11	LFAL21-4715	4715MS23TB30	Cooling Fan
12	LFAL21-6D03	A90L-0001-0507#A	9WF0424F6D03
13	LFAL30-4522R	A290-4522-T001	DISCHARGE TUBE
14	LLBL28-SV25	A90L-0001-0425	Vacuum Pump SV25 9550363
15	LFAM06-K329	A04B-0800-K329	Trubo blower oil 200mL
16	LLBM06-SAH	A98L-0040-0093	Oil for Vacuum Pump SA-H 1L
17	LLBM07-2023	A98L-0001-0911	Filter for Vacuum Pump



1



2



3



4



5



6



7



8



9



10



11



12



13



14

Optics Accessories

	Raysoar P/N	OEM Ref. No.	Description
1	LOPC15-1260		LENS STRESS VISUALIZER Ø 1.5" (Ophir EZ Test) (1.5")
	LOPC15-1280		LENS STRESS VISUALIZER Ø 2.0" (Ophir EZ Test) (2.0")
2	LTRC15-7388		Mirror Polish .1UM 80ML
3	LRSC15-ALCO-500		Ethanol 99.7%
4	LRSC15-A236		IPA Isopropyl A236 400ml
5	LRSC15-GSBL		Air Duster 85g
6	LRSC15-FCS3		Optics Cleaning Liquid (Imported) 58ml
7	LRSC15-ACET-500		Optics Cleaning Liquid 500ml
8	LRSC15-0714		Knit polyester swabs 20pcs
9	LRSC15-759B		Knit polyester swabs 100pcs
10	LRSC15-9625		Knit polyester swabs 50pcs
11	TR300-6452		Original Tiffan Lens Cleaning Paper (50 sheets)
12	LRSC15-CLPA		Domestic Lens Cleaning Paper (40 sheets)
13	TR300-1115		Lens cleaning cotton pads -80 pcs
14	LRSC15-KT3008		Cleanroom wipers KX KT-3008 9"