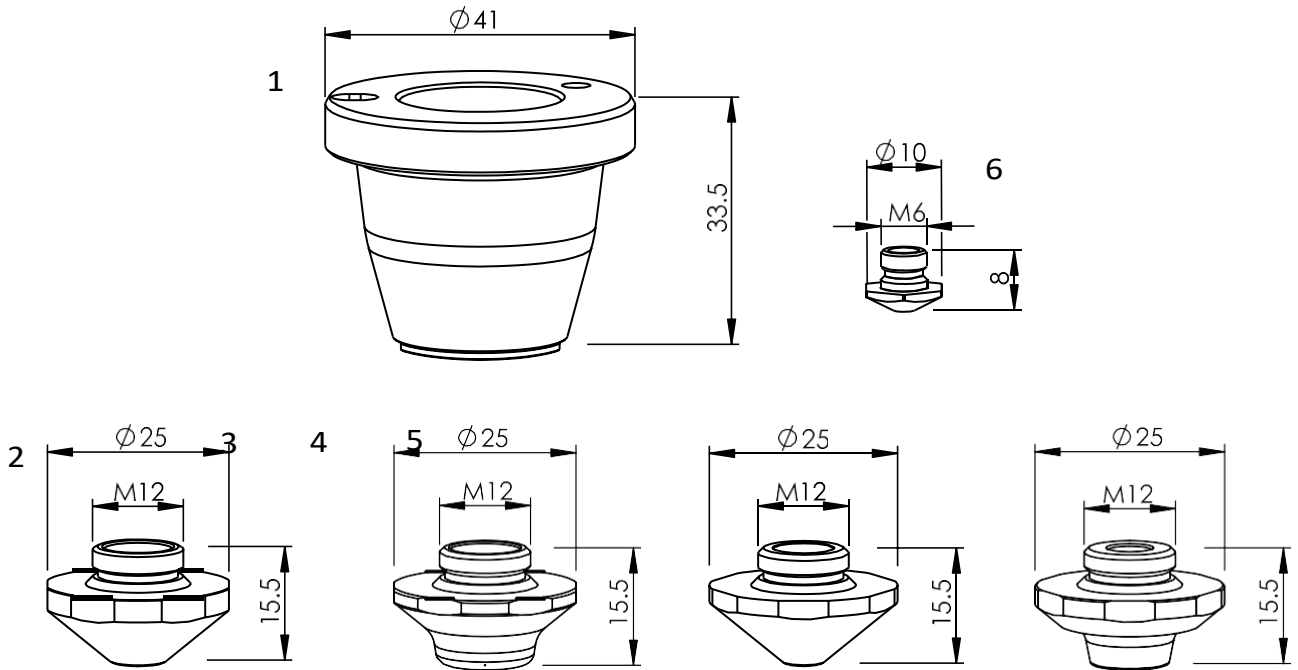


Consumables

	Centricut P/N	Raysoar P/N	OEM Ref. No.	Description	Pkg qty
1	TR407-5673	LTRC09-5673D	1349171, 1755673	TR-Nozzle holder, ceramic	1
2	TR407-4858X	LTRN04-1508	1324858	TR-Nozzle EAA, 0.8 mm (10 pk)*	10
	TR407-4860X	LTRN04-1510	1324860	TR-Nozzle EAA, 1.0 mm (10 pk)*	10
	TR407-4861X	LTRN04-1512	1324861	TR-Nozzle EAA, 1.2 mm (10 pk)*	10
	TR407-4863X	LTRN04-1514	1324863	TR-Nozzle EAA, 1.4 mm (10 pk)*	10
	TR407-4864X	LTRN04-1517	1324864	TR-Nozzle EAA, 1.7 mm (10 pk)*	10
	TR407-4858CPHX		1324858	TR-Nozzle EAA, 0.8 mm HCP (10 pk)*	10
	TR407-4860CPHX		1324860	TR-Nozzle EAA, 1.0 mm HCP (10 pk)*	10
	TR407-4861CPHX		1324861	TR-Nozzle EAA, 1.2 mm HCP (10 pk)*	10
	TR407-4863CPHX		1324863	TR-Nozzle EAA, 1.4 mm HCP (10 pk)*	10
	TR407-4864CPHX		1324864	TR-Nozzle EAA, 1.7 mm HCP (10 pk)*	10
3	TR407-4865X	LTRN04-1520	1324865	TR-Nozzle EAA, 2.0 mm (10 pk)*	10
	TR407-4866X	LTRN04-1523	1324866	TR-Nozzle EAA, 2.3 mm (10 pk)*	10
	TR407-4867X	LTRN04-1527	1324867	TR-Nozzle EAA, 2.7 mm (10 pk)*	10
	TR407-4865CPHX		1324865	TR-Nozzle EAA, 2.0 mm HCP (10 pk)*	10
	TR407-4866CPHX		1324866	TR-Nozzle EAA, 2.3 mm HCP (10 pk)*	10
	TR407-4867CPHX		1324867	TR-Nozzle EAA, 2.7 mm HCP (10 pk)*	10
4	TR407-9610		1589610	TR-Nozzle Blow off EBM, 2.0 mm	1

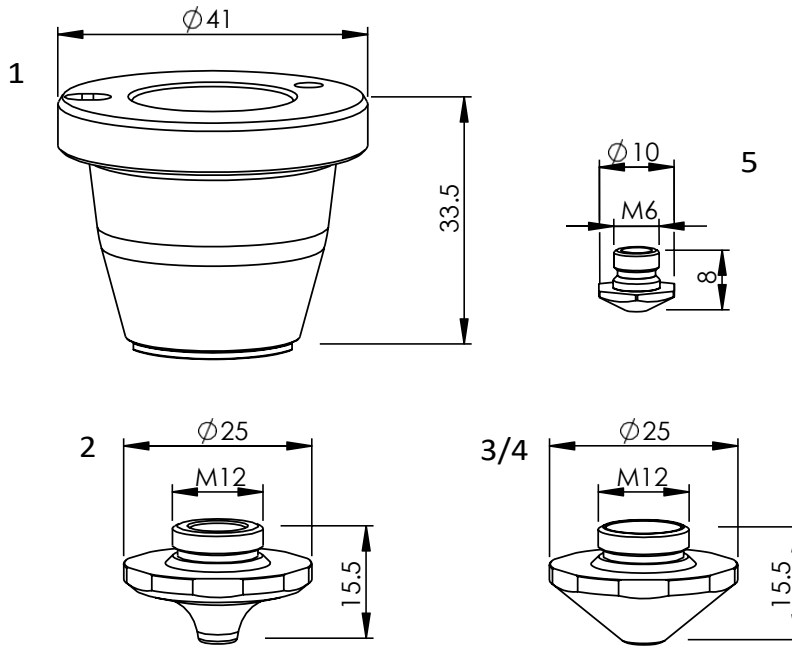
*Available in single packs. To order single packs, remove the 'X' at the end of the part number (e.g. AM123-4567X would be AM123-4567)



Consumables

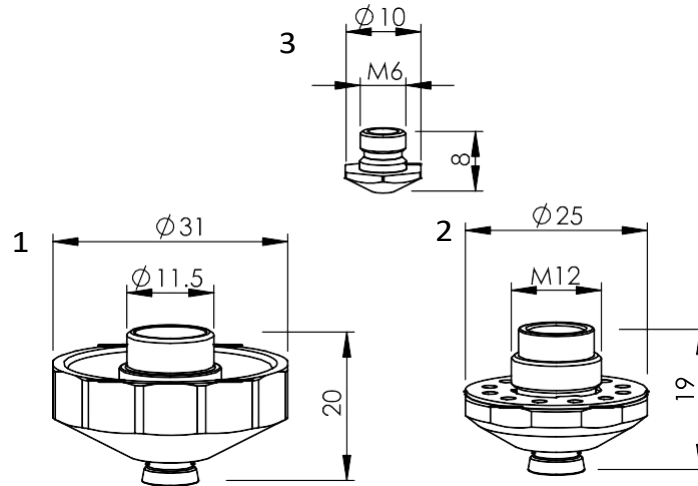
	Centricut P/N	Raysoar P/N	OEM Ref. No.	Description	Pkg qty
1	TR407-5673	LTRC09-5673D	1349171, 1755673	TR-Nozzle holder, ceramic	1
2	TR407-7264			TR-Nozzle focusing ZAA-01	1
3	TR407-9091	LTRN06-1560Q	1809091	TR-Nozzle double EAQ, 6.0 mm	1
	TR407-9421	LTRN06-1575Q	1809421	TR-Nozzle double EAQ, 7.5 mm	1
	TR407-6199	LTRN06-1595Q	1886199	TR-Nozzle double EAQ, 9.5 mm	1
4	TR426-6012X	LTRN05-1512		TR-Nozzle shower, 1.2 mm (10 pk)*	10
5	TR407-3046 NEW	LTRN07-1553C		TR-Nozzle double EAC, 1.8 mm	1
6	TR407-9610		1589610	TR-Nozzle blow off EBM, 2.0 mm	1

*Centricut parts available in single packs. To order single packs, remove the 'X' at the end of the part number (e.g. AM123-4567X would be AM123-4567)


Consumables

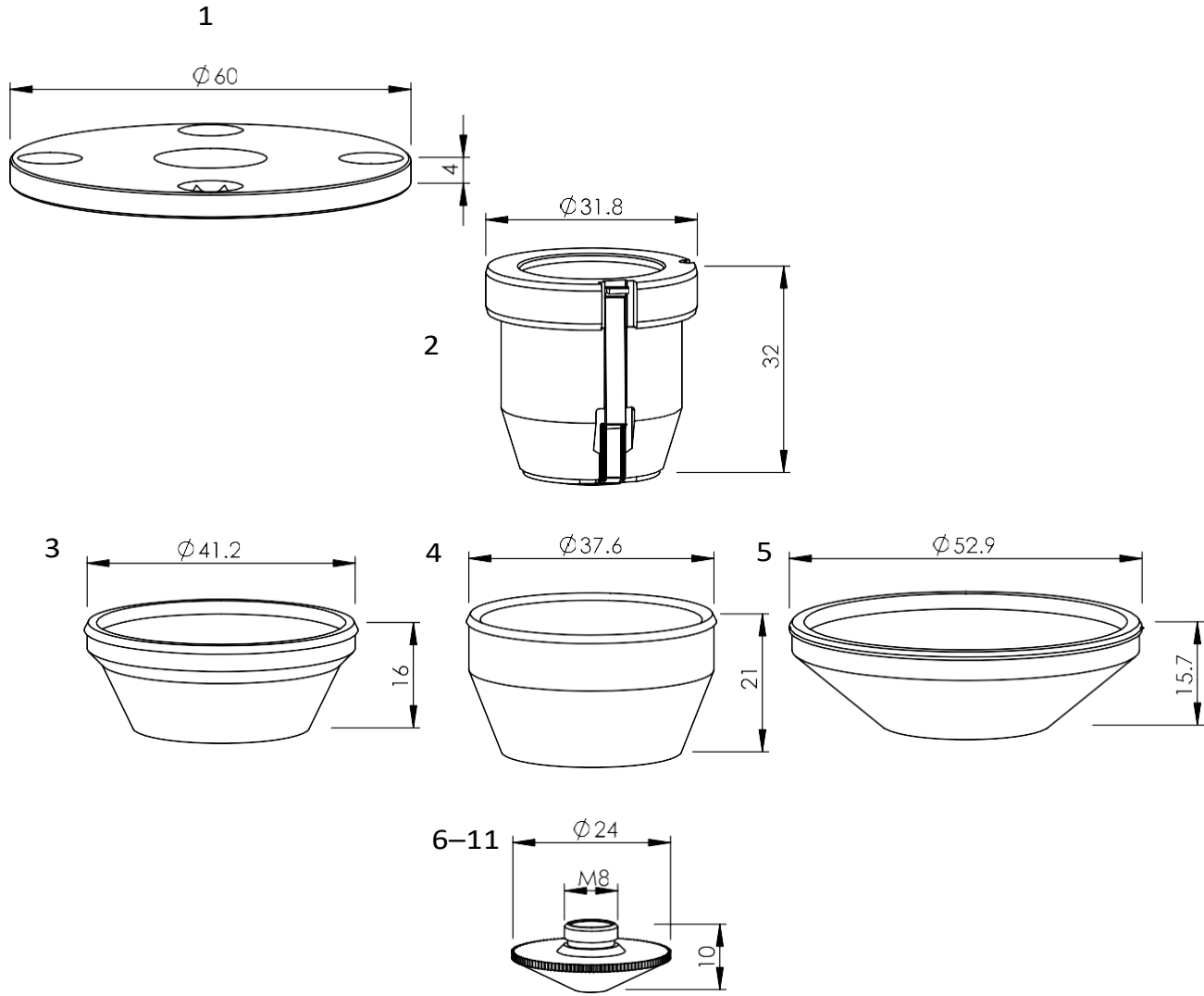
	Centricut P/N	Raysoar P/N	OEM Ref. No.	Description	Pkg qty
1	TR407-5673	LTRC09-5673D	1349171, 1755673	TR-Nozzle holder, ceramic	1
2	TR426-3325X	LTRN05-3325	1373325	TR-Nozzle EAB, 1.0 mm (10 pk)*	10
	TR426-3326X	LTRN05-3326	1373326	TR-Nozzle EAB, 1.2 mm (10 pk)*	10
	TR426-3327X	LTRN05-3327	1373327	TR-Nozzle EAB, 1.4 mm (10 pk)*	10
	TR426-3328X	LTRN05-3328	1373328	TR-Nozzle EAB, 1.7 mm (10 pk)*	10
3	TR426-3324X	LTRN05-3324	1373324	TR-Nozzle EAB, 0.8 mm (10 pk)*	10
	TR426-3329X	LTRN05-3329	1373329	TR-Nozzle EAB, 2.0 mm (10 pk)*	10
	TR426-3330X	LTRN05-3330	1373330	TR-Nozzle EAB, 2.3 mm (10 pk)*	10
	TR426-3331X	LTRN05-3330	1373331	TR-Nozzle EAB, 2.7 mm (10 pk)*	10
4	TR426-1308X			TR-Nozzle double, 0.8 mm (10 pk)*	10
	TR426-1309X			TR-Nozzle double, 1.0 mm (10 pk)*	10
	TR426-1310X			TR-Nozzle double, 1.2 mm (10 pk)*	10
	TR426-1311X			TR-Nozzle double, 1.4 mm (10 pk)*	10
	TR426-1312X			TR-Nozzle double, 1.7 mm (10 pk)*	10
	TR426-1313X			TR-Nozzle double, 2.0 mm (10 pk)*	10
	TR426-1314X			TR-Nozzle double, 2.3 mm (10 pk)*	10
TR426-1315X			TR-Nozzle double, 2.7 mm (10 pk)*	10	
5	TR407-9610		1589610	TR-Nozzle blow off EBM, 2.0 mm	1

*Centricut parts available in single packs. To order single packs, remove the 'X' at the end of the part number (e.g. AM123-4567X would be AM123-4567)



Consumables

	Centricut P/N	Raysoar P/N	OEM Ref. No.	Description	Pkg qty
1	TR407-4018		1774018	TR-Nozzle EFL, 1.4 mm	1
	TR407-8745		1838745	TR-Nozzle EFL, 1.7 mm	1
	TR407-4020		1774020	TR-Nozzle EFL, 2.0 mm	1
	TR407-4092		1774092	TR-Nozzle EFL, 2.3 mm	1
2	TR407-9940 NEW			TR-Nozzle EGL, 1.4 mm	1
	TR407-9951 NEW			TR-Nozzle EGL, 1.7 mm	1
	TR407-9952 NEW			TR-Nozzle EGL, 2.0 mm	1
	TR407-9953 NEW			TR-Nozzle EGL, 2.3 mm	1
3	TR407-9610		1589610	TR-Nozzle blow off EBM, 2.0 mm	1



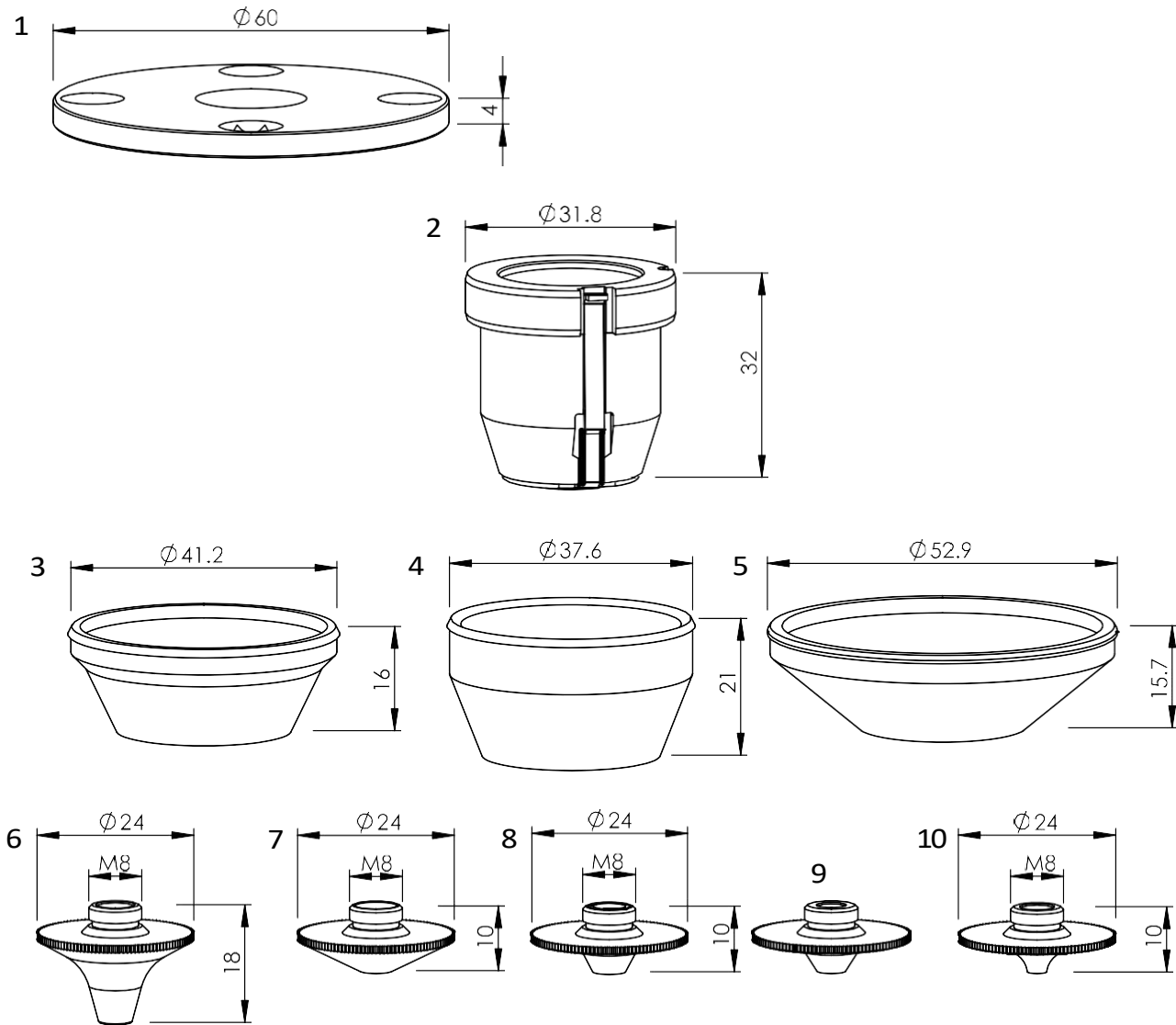
Consumables

	Centricut P/N	Raysoar P/N	OEM Ref. No.	Description	Pkg qty
1	TR301-4485		234485	TR-Breakaway plate	1
2	TR301-0432		254493, 260432	TR-Nozzle holder, ceramic	1
3	TR301-4496		254496	TR-Cover, PTFE**	1
4	TR301-6153	LTRC09-6153T	256153, 955826	TR-Cover, PTFE** (white)	1
	TR301-6153T		256153, 955826	TR-Cover, PTFE** (black)	1
5	TR301-5286		225286	TR-Cover, PTFE**	1

	Centricut P/N	Raysoar P/N	OEM Ref. No.	Description	Pkg qty
6	TR301-4561X		124561, 237499	TR-Nozzle, 0.8 mm (10 pk)*	10
	TR301-4562X		124562, 237498	TR-Nozzle, 1.0 mm (10 pk)*	10
	TR301-6809X		966809	TR-Nozzle, 1.2 mm (10 pk)*	10
	TR301-0014X			TR-Nozzle, 1.4 mm (10 pk)*	10
	TR301-7500X		237500	TR-Nozzle, 1.5 mm (10 pk)*	10
	TR301-0017X			TR-Nozzle, 1.7 mm (10 pk)*	10
	TR301-7503X		237503, 1253211	TR-Nozzle, 2.0 mm (10 pk)*	10
	TR301-4564X		124564	TR-Nozzle, 2.3 mm (10 pk)*	10
	TR301-7504X		237504	TR-Nozzle, 3.0 mm (10 pk)*	10
	TR301-0561CPX		352280	TR-Nozzle, 0.8 mm CP (10 pk)*	10
	TR301-0562CPX		352281	TR-Nozzle, 1.0 mm CP (10 pk)*	10
	TR301-0809CPX		352282	TR-Nozzle, 1.2 mm CP (10 pk)*	10
	TR301-0014CPX			TR-Nozzle, 1.4 mm CP (10 pk)*	10
	TR301-7500CPX		352288	TR-Nozzle, 1.5 mm CP (10 pk)*	10
	TR301-0017CPX			TR-Nozzle, 1.7 mm CP (10 pk)*	10
	TR301-7503CPX			TR-Nozzle, 2.0 mm CP (10 pk)*	10
	TR301-4564CPX		124564	TR-Nozzle, 2.3 mm CP (10 pk)*	10
TR301-7504CPX			TR-Nozzle, 3.0 mm CP (10 pk)*	10	
7	TR301-7497X		237497	TR-Nozzle HD, 1.4 mm (10 pk)*	10
	TR301-1497CPX		352283	TR-Nozzle HD, 1.4 mm CP (10 pk)*	10
8	TR301-7497-S		237497/S	TR-Nozzle HD, 1.4 mm	1
	TR301-0497X		237497/S	TR-Nozzle HD, 1.4 mm (10 pk)*	10
	TR301-7501X		237501	TR-Nozzle HD, 1.7 mm (10 pk)*	10
	TR301-3211X		237502, 1253211	TR-Nozzle HD, 2.0 mm (10 pk)*	10
	TR301-6933X		126933	TR-Nozzle HD, 2.3 mm (10 pk)*	10
	TR301-0003X			TR-Nozzle HD, 2.5 mm (10 pk)*	10
	TR301-2742X		942742	TR-Nozzle HD, 2.7 mm (10 pk)*	10
	TR301-0004X			TR-Nozzle HD, 3.0 mm (10 pk)*	10
	TR301-0497CPX			TR-Nozzle HD, 1.4 mm CP (10 pk)*	10
	TR301-0501CPX		352284	TR-Nozzle HD, 1.7 mm CP (10 pk)*	10
	TR301-1002CPX		237502, 352287	TR-Nozzle HD, 2.0 mm CP (10 pk)*	10
	TR301-0933CPX		352285	TR-Nozzle HD, 2.3 mm CP (10 pk)*	10
	TR301-0003CPX			TR-Nozzle HD, 2.5 mm CP (10 pk)*	10
TR301-0742CPX		352286	TR-Nozzle HD, 2.7 mm CP (10 pk)*	10	
TR301-1004CPX			TR-Nozzle HD, 3.0 mm CP (10 pk)*	10	
9	TR301-4561CPX		352280	TR-Nozzle, 0.8 mm HCP (10 pk)*	10
	TR301-4562CPX		352281	TR-Nozzle, 1.0 mm HCP (10 pk)*	10
	TR301-6809CPX		352282	TR-Nozzle, 1.2 mm HCP (10 pk)*	10
10	TR301-7497CPX		352283	TR-Nozzle HD, 1.4 mm HCP (10 pk)*	10
11	TR301-0014HCPX			TR-Nozzle HD, 1.4 mm HCP (10 pk)*	10
	TR301-7501CPX		352284	TR-Nozzle HD, 1.7 mm HCP (10 pk)*	10
	TR301-0002CPX		237502, 1253212	TR-Nozzle HD, 2.0 mm HCP (10 pk)*	10
	TR301-6933CPX		352285	TR-Nozzle HD, 2.3 mm HCP (10 pk)*	10
	TR301-0025HCPX			TR-Nozzle HD, 2.5 mm HCP (10 pk)*	10
	TR301-2742CPX		352286	TR-Nozzle HD, 2.7 mm HCP (10 pk)*	10
	TR301-0004CPX			TR-Nozzle HD, 3.0 mm HCP (10 pk)*	10

* Centricut parts available in single packs. To order single packs, remove the 'X' at the end of the part number (e.g. AM123-4567X would be AM123-4567)

** PolyTetraFluoroEthylene is a fluorocarbon-based polymer and is commonly abbreviated PTFE. The Teflon® brand of PTFE is manufactured only by DuPont and is not sold by Hypertherm. Hypertherm purchases other brands of PTFE from various high quality manufacturers.



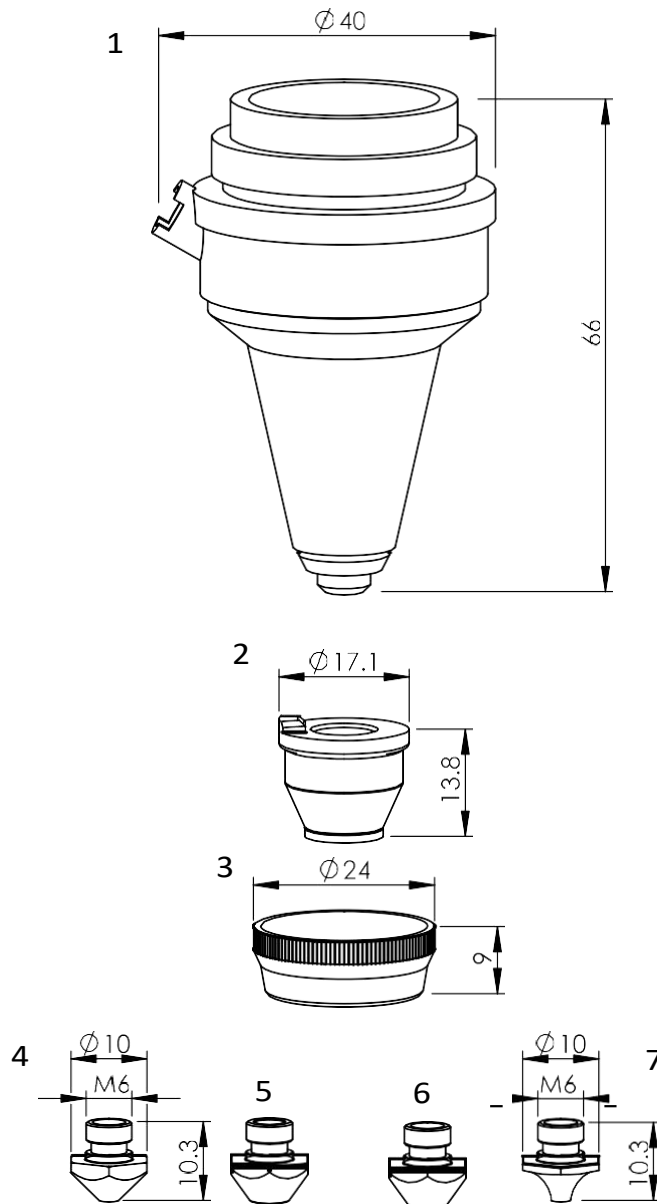
Consumables

	Centricut P/N	Raysoar P/N	OEM Ref. No.	Description	Pkg qty
1	TR301-4485		234485	TR-Breakaway plate	1
2	TR301-0432		254493, 260432	TR-Nozzle holder, ceramic	1
3	TR301-4496		254496	TR-Cover, PTFE**	1
4	TR301-6153	LTRC09-6153T	256153, 955826	TR-Cover, PTFE** (white)	1
	TR301-6153T		256153, 955826	TR-Cover, PTFE** (black)	1
5	TR301-5286		225286	TR-Cover, PTFE**	1

	Centricut P/N	Raysoar P/N	OEM Ref. No.	Description	Pkg qty
6	TR301-7773		1277773	TR-Nozzle, 0.8 mm	1
	TR301-7771		1277771	TR-Nozzle, 1.0 mm	1
	TR301-7774		1277774	TR-Nozzle, 1.2 mm	1
	TR301-7776		1277776	TR-Nozzle, 1.4 mm	1
	TR301-7779		1277779	TR-Nozzle, 1.7 mm	1
	TR301-7780		1277780	TR-Nozzle, 2.0 mm	1
	TR301-7781		1277781	TR-Nozzle, 2.3 mm	1
	TR301-7782		1277782	TR-Nozzle, 2.7 mm	1
	TR301-7773CP		1277773 - chrome	TR-Nozzle, 0.8 mm CP	1
	TR301-7771CP		1277771 - chrome	TR-Nozzle, 1.0 mm CP	1
	TR301-7774CP		1277774 - chrome	TR-Nozzle, 1.2 mm CP	1
	TR301-7776CP		1277776 - chrome	TR-Nozzle, 1.4 mm CP	1
7	TR301-7872X		237872	TR-Nozzle shower, 0.8 mm (10 pk)*	10
8	TR355-0005X			TR-Nozzle double, 0.8 mm (10 pk)*	10
	TR355-0001X			TR-Nozzle double, 1.0 mm (10 pk)*	10
	TR355-0006X			TR-Nozzle double, 1.2 mm (10 pk)*	10
	TR355-0002X			TR-Nozzle double, 1.4 mm (10 pk)*	10
	TR355-0003X			TR-Nozzle double, 1.7 mm (10 pk)*	10
	TR355-0007X			TR-Nozzle double, 2.0 mm (10 pk)*	10
	TR355-0004X			TR-Nozzle double, 2.3 mm (10 pk)*	10
	TR355-0008X			TR-Nozzle double, 2.7 mm (10 pk)*	10
	TR355-0009X			TR-Nozzle double, 3.0 mm (10 pk)*	10
	TR355-0007CPX			TR-Nozzle double, 2.0 mm CP (10 pk)*	10
9	TR412-0010X			TR-Nozzle HD, 1.0 mm (10 pk)*	10
	TR412-0014X			TR-Nozzle HD, 1.4 mm (10 pk)*	10
	TR412-0017X			TR-Nozzle HD, 1.7 mm (10 pk)*	10
	TR301-0001X			TR-Nozzle HD, 2.3 mm (10 pk)*	10
10	TR412-0023X			TR-Nozzle HD, 2.3 mm (10 pk)*	10
	TR412-0027X			TR-Nozzle HD, 2.7 mm (10 pk)*	10
	TR412-1014CPX			TR-Nozzle HD, 1.4 mm CP (10 pk)*	10
	TR412-1017CPX			TR-Nozzle HD, 1.7 mm CP (10 pk)*	10
	TR412-1023CPX			TR-Nozzle HD, 2.3 mm CP (10 pk)*	10
	TR415-0010			TR-Nozzle extended, 1.0 mm	1

* Centricut parts available in single packs. To order single packs, remove the 'X' at the end of the part number (e.g. AM123-4567X would be AM123-4567)

** PolyTetraFluoroEthylene is a fluorocarbon-based polymer and is commonly abbreviated PTFE. The Teflon® brand of PTFE is manufactured only by DuPont and is not sold by Hypertherm. Hypertherm purchases other brands of PTFE from various high quality manufacturers.

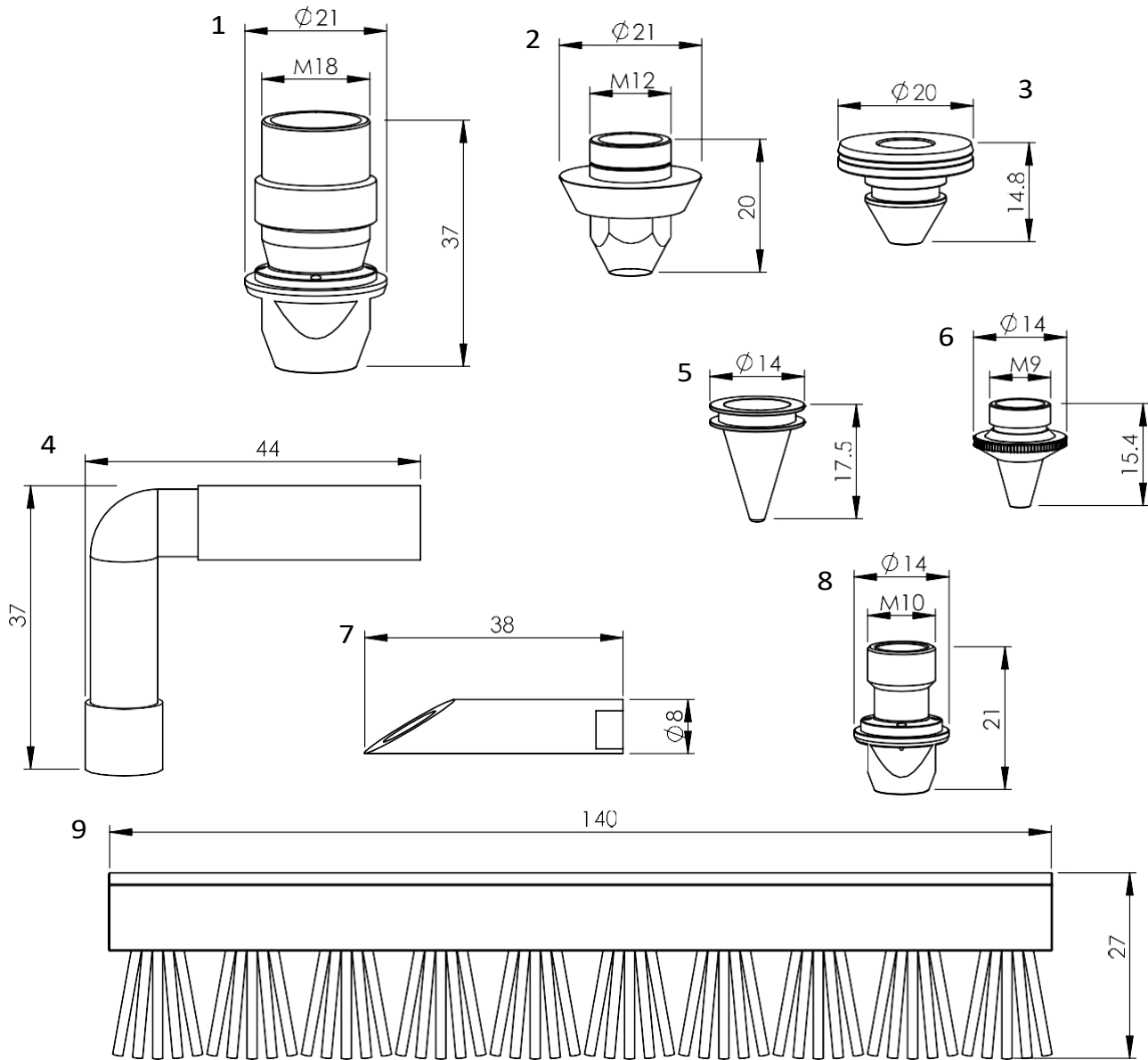


Consumables

	Centricut P/N	Raysoar P/N	OEM Ref. No.	Description	Pkg qty
1	PT344-KN		280549	PT-Sensor cone, KN	1
2	TR302-2405		280408, 092405	TR-Nozzle holder KT M1.5" KN OEM	1
3	TR352-0001		280550, P0494-940-00001	TR-Nut OEM	1
4	TR302-6939X		226939	TR-Nozzle, 1.0 mm (10 pk)*	10
	TR302-0002X			TR-Nozzle, 1.4 mm (10 pk)*	10
	TR302-6933CPX		226939	TR-Nozzle, 1.0 mm CP (10 pk)*	10
	TR302-6940X		226940	TR-Nozzle HD, 1.4 mm (10 pk)*	10
	TR302-7144X		227144	TR-Nozzle HD, 1.7 mm (10 pk)*	10
5	TR302-7364X		237364	TR-Nozzle shower, 1.0 mm (10 pk)*	10

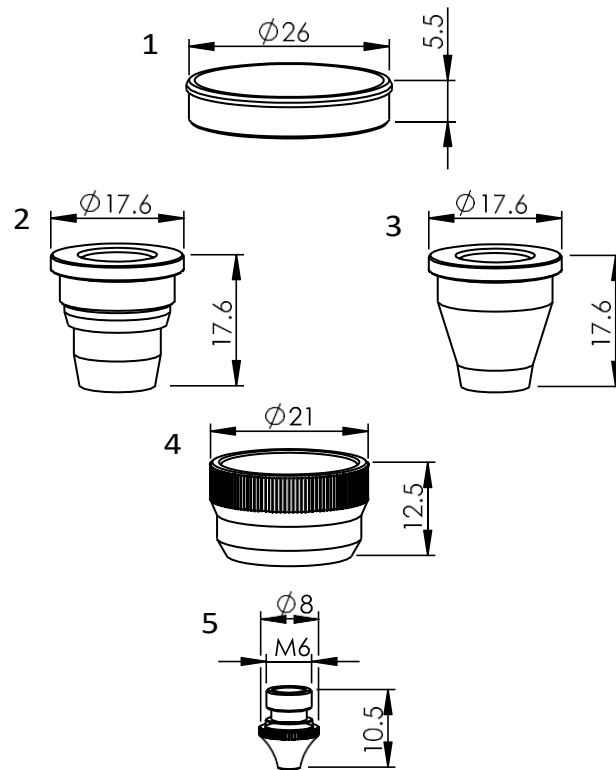
	Centricut P/N	Raysoar P/N	OEM Ref. No.	Description	Pkg qty
6	TR302-4230X		135420, 1354230	TR-Nozzle EBD, 0.8 mm (10 pk)*	10
	TR302-2334X		212334	TR-Nozzle EDB, 1.0 mm (10 pk)*	10
	TR302-0008CPX		135420, 1354230	TR-Nozzle EBD, 0.8 mm CP (10 pk)*	10
	TR302-2334CPX		212334	TR-Nozzle EDB, 1.0 mm CP (10 pk)*	10
	TR302-0009X			TR-Nozzle EBD HD, 0.8 mm (10 pk)*	10
	TR302-0004X			TR-Nozzle EBD HD, 1.0 mm (10 pk)*	10
	TR302-6199X		216199	TR-Nozzle EBD HD, 1.4 mm (10 pk)*	10
	TR302-5213X		225213	TR-Nozzle EBD HD, 1.7 mm (10 pk)*	10
	TR302-7009X		1487009	TR-Nozzle EBD HD, 2.0 mm (10 pk)*	10
	TR302-6156X		126156	TR-Nozzle EBD HD, 2.3 mm (10 pk)*	10
	TR302-6125X			TR-Nozzle EBD HD, 2.5 mm (10 pk)*	10
	TR302-0027X			TR-Nozzle EBD HD, 2.7 mm (10 pk)*	10
	TR302-0009CPX			TR-Nozzle EBD HD, 0.8 mm CP (10 pk)*	10
	TR302-0004CPX			TR-Nozzle EBD HD, 1.0 mm CP (10 pk)*	10
	TR302-6198X		1479581	TR-Nozzle EBD HD, 1.2 mm (10 pk)*	10
	TR302-6199CPX		216199	TR-Nozzle EBD HD, 1.4 mm CP (10 pk)*	10
	TR302-5213CPX		225213	TR-Nozzle EBD HD, 1.7 mm CP (10 pk)*	10
	TR302-6156CPX		126156	TR-Nozzle EBD HD, 2.3 mm CP (10 pk)*	10
TR302-0027CPX			TR-Nozzle EBD HD, 2.7 mm CP (10 pk)*	10	
TR302-5320X			TR-Nozzle, 1.0 mm (10 pk)*	10	
7	TR302-0007X			TR-Nozzle HD, 1.0 mm (10 pk)*	10
	TR302-5318X			TR-Nozzle HD, 1.4 mm (10 pk)*	10
	TR302-0017X			TR-Nozzle HD, 1.7 mm (10 pk)*	10

*Centricut parts available in single packs. To order single packs, remove the 'X' at the end of the part number (e.g. AM123-4567X would be AM123-4567)



	Centricut P/N	Raysoar P/N	OEM Ref. No.	Description	Pkg qty
1	TR352-0783		220783	TR-Nozzle welding M18	1
2	TR352-2530CP		932530	TR-Nozzle, 4.5 mm CP	1
3	TR303-2952		202952	TR-Nozzle, 0.8 mm	1
	TR303-0969		218969	TR-Nozzle, 1.0 mm	1
	TR303-9402		209402	TR-Nozzle HD, 1.4 mm	1
	TR303-7953		217953	TR-Nozzle HD, 1.7 mm	1
4	TR301-8557		88557	TR-Nozzle, 90 degrees	
5	TR414-0008		12-11-16-00	TR-Nozzle YAG w/o-ring, 0.8 mm	1
	TR414-0010			TR-Nozzle YAG w/o-ring, 1.0 mm	1
	TR414-0012		12-11-09-17/00	TR-Nozzle YAG w/o-ring, 1.2 mm	1
6	PT344-1813X		281813, P0589-424-00008	PT-Nozzle, 0.8 mm (10 pk)*	10
	PT344-1789X		281789, P0589-426-00010	PT-Nozzle, 1.0 mm (10 pk)*	10
	PT344-1561X		281561, 778550	PT-Nozzle, 1.2 mm (10 pk)*	10
	PT344-1499X		281814, 149957	PT-Nozzle, 1.5 mm (10 pk)*	10
	PT344-0020X		P0589-428-00020	PT-Nozzle, 2.0 mm (10 pk)*	10
	PT344-0020CPX		P0589-428-00020	PT-Nozzle, 2.0 mm CP (10 pk)*	10
	7	TR301-6184		256184	TR-Blow tube
8	TR352-4947		924947	TR-Nozzle welding M10	1
9	TR301-3202		0353202, 900594	TR-Brush	1

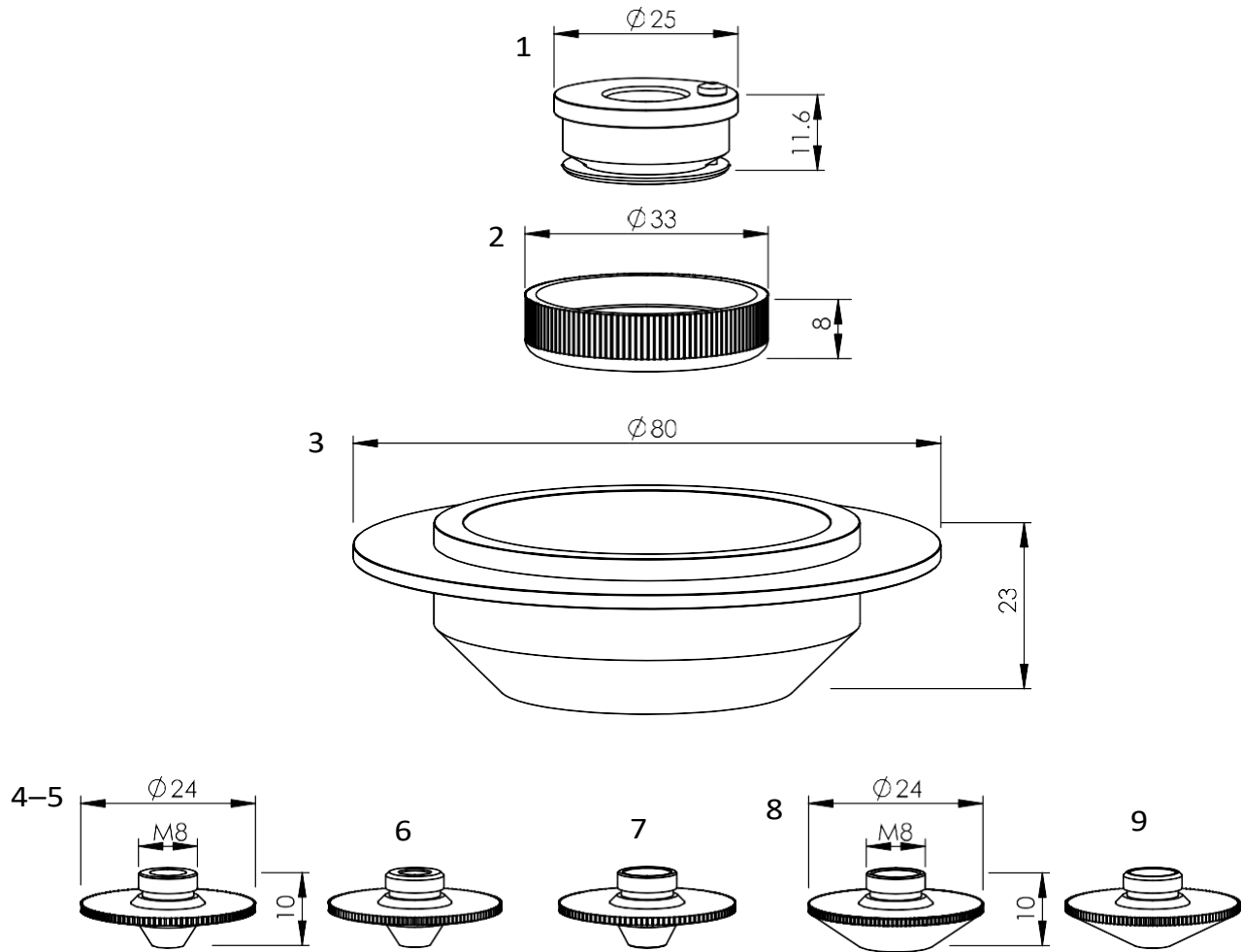
*Centricut parts available in single packs. To order single packs, remove the 'X' at the end of the part number (e.g. AM123-4567X would be AM123-4567)


Consumables

	Centricut P/N	Raysoar P/N	OEM Ref. No.	Description	Pkg qty
1	TR302-0354		960354	TR-Insulating, PTFE**	1
2	TR302-6678C		936678, 913966/00-WO	TR-Nozzle holder 3D, ceramic	1
3	TR302-6678 Recommended TR302-6678OEM	LTRC09-6678		TR-Nozzle holder, ceramic TR-Nozzle holder, ceramic OEM	1 1
4	TR352-3965		913965	TR-Retainer nut	1
5	TR302-8206X		958206	TR-Nozzle, 0.25 mm (10 pk)*	10
	TR352-3799X		913799	TR-Nozzle EBG HD, 0.8 mm (10 pk)*	10
	TR352-3800X		913800	TR-Nozzle EBG HD, 1.0 mm (10 pk)*	10
	TR352-7034X		1487034	TR-Nozzle EBG HD, 1.2 mm (10 pk)*	10
	TR352-3801X		913801	TR-Nozzle EBG HD, 1.4 mm (10 pk)*	10
	TR352-7988X		937988	TR-Nozzle HD, 1.7 mm (10 pk)*	10
	TR352-7991X			TR-Nozzle HD, 1.75 mm (10 pk)*	10
	TR352-7990X		1487036	TR-Nozzle HD, 2.0 mm (10 pk)*	10
	TR352-7989X		937989	TR-Nozzle EBF HD, 2.3 mm (10 pk)*	10
	TR352-3800CPX		913800	TR-Nozzle EBG HD, 1.0 mm CP (10 pk)*	10
	TR352-7034CPX		1487034	TR-Nozzle EBG HD, 1.2 mm CP (10 pk)*	10
	TR352-3801CPX		913801	TR-Nozzle EBG HD, 1.4 mm CP (10 pk)*	10
	TR352-7988CPX		937988	TR-Nozzle HD, 1.7 mm CP (10 pk)*	10
	TR352-7990CPX			TR-Nozzle HD, 2.0 mm CP (10 pk)*	10
	TR352-7989CPX		937989	TR-Nozzle EBF HD, 2.3 mm CP (10 pk)*	10

* Centricut parts available in single packs. To order single packs, remove the 'X' at the end of the part number (e.g. AM123-4567X would be AM123-4567)

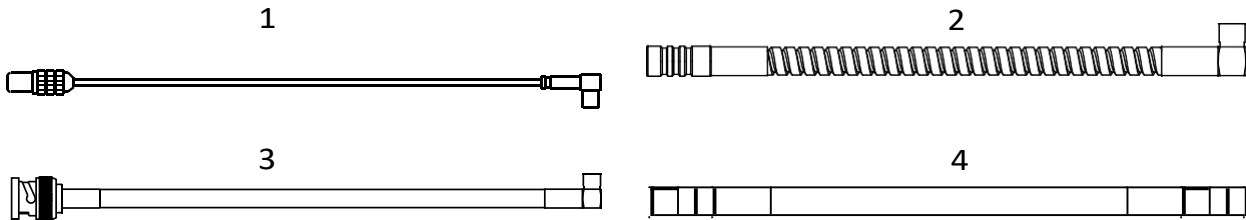
** PolyTetraFluoroEthylene is a fluorocarbon-based polymer and is commonly abbreviated PTFE. The Teflon® brand of PTFE is manufactured only by DuPont and is not sold by Hypertherm. Hypertherm purchases other brands of PTFE from various high quality manufacturers.


Consumables

	Centricut P/N	Raysoar P/N	OEM Ref. No.	Description	Pkg qty
1	TR301-8809 Recommended		258809	TR-Nozzle holder, ceramic	1
	TR301-8809OEM		258809	TR-Nozzle holder, ceramic OEM	1
2	TR301-6066		216066	TR-Cap nut	1
3	TR301-6065		216065	TR-Cover, PTFE**	1
4	TR301-5780X		215780	TR-Nozzle, 0.8 mm (10 pack)*	10
5	TR301-8894X		88894	TR-Nozzle HD, 1.4 mm (10 pk)*	10
	TR301-7867X		217867	TR-Nozzle HD, 1.7 mm (10 pk)*	10
6	TR412-0010X			TR-Nozzle HD, 1.0 mm (10 pk)*	10
	TR412-0014X			TR-Nozzle HD, 1.4 mm (10 pk)*	10
	TR412-0017X			TR-Nozzle HD, 1.7 mm (10 pk)*	10
7	TR301-7976X		217976	TR-Nozzle shower, 0.8 mm	10
8	TR301-1010X			TR-Nozzle, 1.0 mm (10 pk)*	10
	TR301-8893X		88893	TR-Nozzle, 1.5 mm (10 pk)*	10
	TR301-1781X		221781	TR-Nozzle, 2.0 mm (10 pk)*	10
	TR301-4565X		235592	TR-Nozzle, 3.0 mm (10 pk)*	10
9	TR301-7872X		237872	TR-Nozzle shower, 0.8 mm (10 pk)*	10

*Centricut parts available in single packs. To order single packs, remove the 'X' at the end of the part number (e.g. AM123-4567X would be AM123-4567)

** PolyTetraFluoroEthylene is a fluorocarbon-based polymer and is commonly abbreviated PTFE. The Teflon® brand of PTFE is manufactured only by DuPont and is not sold by Hypertherm. Hypertherm purchases other brands of PTFE from various high quality manufacturers.


Consumables

	Centricut P/N	Raysoar P/N	OEM Ref. No.	Description	Pkg qty
1	TR301-1086		0351086, P0492-001-00000	TR-Sensor cable	1
2	TR301-9983		359983	TR-Sensor cable, 190 mm (7.5") armored	1
3	TR301-7833		227833	TR-Sensor cable, 432 mm (17")	1
4	TR301-0930		280930	TR-Sensor cable, 152 mm (6") armored	1

Optics



Focus Lens for CO2 Laser Cutting

	Raysoar P/N	OEM Ref. No.	Description	Brandname
1	LTRO01-1982	088114	Lens Men 1.5"Dia/5.0"FL/7.4mmET	OPHIR
2	LTRO01-1983	097517	Lens Men 1.5"Dia/7.5"FL/7.4mmET	OPHIR
3	LTRO01-1091	1772319	130mm F/L, D40, 7.5mm ET, Cut Lens (With RFID Chip)	OPHIR
4	LTRO01-1090	1770805	250mm F/L, D40, 7.5mm ET, Cut Lens (With RFID Chip)	OPHIR
5	LTRO01-1089	1795719	175mm F/L, D50, 8.9mm ET, Cut Lens (With RFID Chip)	OPHIR
6	LTRO01-1088	1796128	250mm F/L, D50, 8.9mm ET, Cut Lens (With RFID Chip)	OPHIR



Focus Lens for CO2 Laser Cutting

	Raysoar P/N	OEM Ref. No.	Description	Brandname
1	LTRO01-1982A	088114	Lens Men 1.5"Dia/5.0"FL/7.4mmET	APC
2	LTRO01-1983A	097517	Lens Men 1.5"Dia/7.5"FL/7.4mmET	APC
3	LTRO01-0117A	380117	130mm F/L, D40, 7.5mm ET, Cut Lens (Without RFID Chip)	APC
4	LTRO01-0115A	380115	250mm F/L, D40, 7.5mm ET, Cut Lens (Without RFID Chip)	APC
5	LTRO01-0448A	1330448	175mm F/L, D50, 8.9mm ET, Cut Lens (Without RFID Chip)	APC
6	LTRO01-0443A	1330443	250mm F/L, D50, 8.9mm ET, Cut Lens (Without RFID Chip)	APC



Folding Mirror for CO2 Laser Cutting

	Raysoar P/N	OEM Ref. No.	Description	Brandname
1	LTRO02-9881	129881	Mirror SI ZPS 2.67"DIA/.80"ET	II-VI
2	LTRO02-9880	129880	Mirror SI PS 2.67"DIA/.80"ET	II-VI
3	LTRO02-0689	744839, 865013	Mirror Cu TRZ 2.67"Dia/1.34"ET WC	II-VI
4	LTRO02-2070	352070	Mirror SI TRZ 2.67"Dia/.800"ET	II-VI
5	LTRO02-7214	85460	Mirror CU PS 2.0"DIA/.375"ET	II-VI
6	LTRO02-1373	1561373 / 0139367 / 1325842	Cu 0 Phase Shift 68mm x 20.32mm Deviating mirror adaptive mirror 11M - 18M	II-VI
7	LTRO02-5842	1325842	DEVIATING MIRROR D68 CU 9392-89	II-VI
8	LTRO02-9947	1235309	VRM-0-10.6-20-0.3: 3.5-6C-6X-TRZ	II-VI



Optics for CO2 Oscillator

	Raysoar P/N	OEM Ref. No.	Description	Brandname
1	LTRO02-2772	1520761/976345/1331867	Mirror SI TRZ 1.5"DIA/.375"ET SEG	II-VI
2	LTRO03-1692	1331692/1331687	Mirror ZNSE OC 1.0"Dia/.236"ET PO/PO 40%AR	II-VI
3	LTRO03-4314	1335092,1260168,1263030	Mirror ZNSE OC 1.0"Dia/.236"ET PO/PO 50%AR TruLaser 3030/3040/3060,TruFlow 3200	II-VI
4	LTRO04-7551	957536/957551/0957536	Mirror GA RM 1.0"Dia/0.236"ET 20MCC-99.7	II-VI



Fiber Optics

	Raysoar P/N	OEM Ref. No.	Description	Brandname
1	LPTO11-3050	0766719	Fused Silica PW D30.00 T5.0 AR/AR@1064nm	Raypower
2	LTRO11-3450	1614767/HG17.513/04.17.0152	Fused Silica PW D34.00 T5.0 AR/AR@1064nm	Raypower
3	LTRO11-5515	0759720/HG17.515	Fused Silica PW D55.00 T1.50 AR/AR@1064nm BS	Raypower
4	LPTO11-13430	1254813	Fused Silica PW D134.00 T3.0 AR/AR@1064nm	Raypower
5	LTRO11-9630	795807	Fused Silica PW D96.00 T3.0 AR/AR@1064nm	Raypower
6	LPTO11-2450	1792250	Fused Silica PW D24.00 T5.0 AR/AR@1064nm	Raypower


Air Filter

	Raysoar P/N	OEM Ref. No.	Description
1	LTRP07-3083		543083 MS4-LFR-1/4-D6-E-R-H-AS
2	LTRP07-3105	0133105	Filter cartridge VAF-PK-6 (2pcs or 3pcs)
3	LTRP07-4032	0364032	Filter cartridge 40µmMS6 MS6-LFP-E
4	LTRP07-4033	0364033	Filter cartridge 40 µm MS4-LFP-E
5	LTRP07-7004D	0123676, 0377004	Filter U0310 VF/FILTER ELEMENT AKI(2 pcs)
6	LTRP07-7005D	0123675, 0377005	Filter U0310 SMA/FILTER ELEMENT A
7	LTRP07-7006D	0123674, 0377006	Filter U0310 CA/FILTER ELEMENT BI
8	LTRP07-7709		527709 MS4-EE-1/4-V24P
9	LTRP07-7924		Filter element C MS6(Cutting gas supply cpl. 8753-2677-000)
10	LTRP07-9320	0369320	Micro filter cartridge MS6-LFM-1/2-AIRVMS6-LFM-AI
11	LTRP07-9321	0369321	Fine filter cartridge MS6-LFM-1/2-BIRVC MS6-LFM-BI
12	LTRP07-9323	0369323	Active carbon filter cartridge MS6-LFX-1/2-AKIRMS6-LFX-AKI
13	LTRP07-9445	0369445	MS6-LFP-C Filter cartridgeMS6-LPC-C


Water Cooling Unit

	Raysoar P/N	OEM Ref. No.	Description
1	LTRW07-6152	146152	Original Chisso filter for water circuit 30 x 68 x 248 mm
2	LTRW07-6153	146153	
3	LTRW07-3137	1933137	Original Chisso filter for water circuit 30 x 68 x 500 mm
4	LTRW07-8631	1888631	Original Chisso filter for water circuit 28 x 62 x 508 mm
5	LTRP07-1860		Air-Filter for cooling aggregate 600 x 1800X 8mm



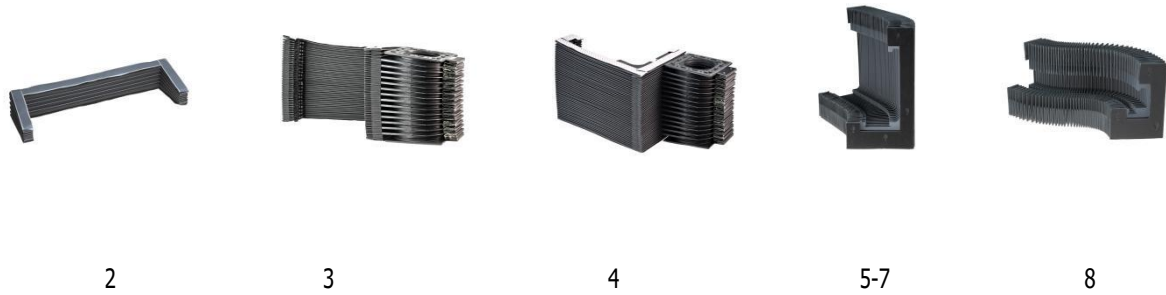
Dust Extraction Unit

	Raysoar P/N	OEM Ref. No.	Description
1	LRSP07-0757	0380757	Filter panel suitable for extraction unit 685x97x1090mm
2	LRSP07-5064	0345064	Filter panel suitable for extraction unit 556x74x1050 mm, H13
3	LTRP07-9026D	0349026	Dust collection filter,600mm*330mm For TL7000



Oscillator

	Raysoar P/N	OEM Ref. No.	Description
1	LTRE18-2048	1237260/0932468	RS2048CJC RF End Stage Tube Transmission tube suitable for Trumpffrom 5 KW laser powerEuropean Premium Line (Old P/N LTRE18-7260)
2	LTRE18-2048D	1237260/0932468	RS2048CJC RF End Stage Tube Transmission tube suitable for Trumpffrom 5 KW laser powerEuropean Premium Line(Old P/NLTRE18-7260)
3	LTRE18-3021	142307/0120730/087627/093266/932468/1800928	RS 3021 CJ RF End Stage Tube Transmission tube suitable for Trumpfup to 4 kW laser powerEuropean Premium Line
4	LTRW09-0002		Water Flowmeter Coil



Bellows

	Raysoar P/N	OEMRef.No.	Description	Machine Type
1	LTRM12-1554	1561554	Z Axis Bellow 3030 L20/L55	3030 L20/L55
2	LTRM12-2607	1512607	Z Axis Bellow 3030 L20/L55	3030 L20/L55
3	LTRM12-6435AF	1496435	Y Beam/Rail Combo Bellow (Round) (Right) 3030 L20/L55	3030 L20/L55
4	LTRM12-6436AF	1496436	Y Beam Path/Rail Combo Bellow (Round) (Left) 3030 L20/L55	3030 L20/L55
5	LTRM12-8860AF	1458860	X Axis Beam Bellow (Round) (Front) 3030 L20/L55	3030 L20/L55
6	LTRM12-8861AF	1458861,1854032	X Axis Beam Path Bellow (Round) (Rear) 3030 L20/L55	3030 L20/L55
7	LTRM12-8866AF	1458866,1865268	X Axis Rail Bellow (Right) 3030 L20/L55	3030 L20/L55
8	LTRM12-8867AF	1458867,1865269	X Axis Rail Bellow (Left) 3030 L20/L55	3030 L20/L55
9	LTRM12-9968AF	1469968	Z Axis Beam Path Bellow 3030 L20/L55	3030 L20/L55

Bellows

	Raysoar P/N	OEMRef.No.	Description	Machine Type
1	LTRM12-0976	1570976,1570975	X Axis Rail Bellow (X2) 3040 L32	3040 L32
2	LTRM12-0977	1570977	X Axis Rail Bellow(Left) 3040 L32	3040 L32
3	LTRM12-1302AF	1561302	X Axis Beam Path Bellow (Front) 3040 L32	3040 L32
4	LTRM12-1303AF	1561303	X Axis Beam Path Bellow (Rear) 3040 L32	3040 L32
5	LTRM12-9318AF	1559318	Y Axis Round Beam/Rail Combo Bellow(Left) 3040 L32	3040 L32
6	LTRM12-9320AF	1559320	Y Axis Round Beam/Rail Combo Bellow(Right) 3040 L32	3040 L32



1



2



4



5



6



7



8

Bellows

	Raysoar P/N	OEMRef.No.	Description	Machine Type
1	LTRM12-0354AF	910354,2342414	Z Axis Beam Path Bellow (Rear) TC L3030 L11	L3030 L11
2	LTRM12-1394	0141394 141394 0921742 921742	Y Axis Rail Bellow (X2) TC L3030 L11	L3030 L11
3	LTRM12-1742	2012184 0921742 921742	X Axis Rail Bellow (X4) TC L3030 L11	L3030 L11
4	LTRM12-1742-1	2012184 939016,0939016,1306	X Axis Rail Bellow (X4) TC L3030 L11	L3030 L11
5	LTRM12-6466AF	466,2356591,1667805 0920716,124394,9080 33,1306467,2356537,1	Y Axis Beam Path Bellow (Left) TC L3030 L11	L3030 L11
6	LTRM12-6467AF	667801 939015,0939015,1306	Y Axis Beam Bellow (Right) TC L3030 L11	L3030 L11
7	LTRM12-6468AF	468,1667803,2356581 920715,0920715,0124 393,124393,0908032,9 08032,1306469,16677	X Axis Beam Path Bellow (Rear) TC L3030 L11	L3030 L11
8	LTRM12-6469AF	90,2356536,1667780	X Axis Beam Bellow (Front) TC L3030 L11	L3030 L11

Bellows

	Raysoar P/N	OEMRef.No.	Description	Machine Type
1	LTRM12-0719AF	920719,1354093,2335 130	Y Axis Beam Bellow (Right) L4030	L4030
2	LTRM12-1870	1883139,0921870,092 1871	X Axis Rail Bellow (X4) L4030	L4030
3	LTRM12-4092AF	0938000,1354092,233 5183	Y Axis Beam Path Bellow (Left) L4030	L4030
4	LTRM12-4949	0144949 920719,1354093,2335	Y Axis Rail Bellow (X2) L4030	L4030
5	LTRM12-6624AF	130 939017,2335182,0939 017,0342573,342573,1	X Axis Beam Bellow (Front) L4030	L4030
6	LTRM12-9017AF	354091	X Axis Beam Path Bellow (Rear) L4030	L4030



1



2



3



4



5



6

	Raysoar P/N	OEMRef.No.	Description	Machine Type
1	LTRM12-1514AF	1271514	U/X-Achse Round Beam Path Bellow L3050	L3050
2	LTRM12-1753	0981753,1302386,179 6166	U Axis Rail Bellow (Front & Rear) L3050	L3050
3	LTRM12-1756	981756,1302018,1596 088,1873857	X Axis Rail Bellow (Left/Rear) L3050	L3050
4	LTRM12-1757	0981757,1302020,159 6087,1873856	X Axis Rail Bellow (Left/Front & Rear) L3050	L3050
5	LTRM12-3514AF	1353514	Y Axis Round Beam/Rail Combo Bellow(Left) L3050	L3050
6	LTRM12-6193	1226193,0993338	Y Axis Rail Bellow(Right) L3050	L3050