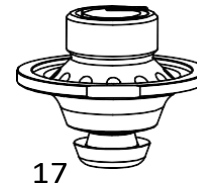
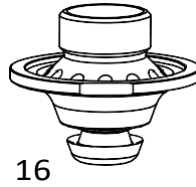
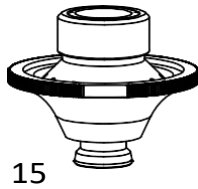


Consumables

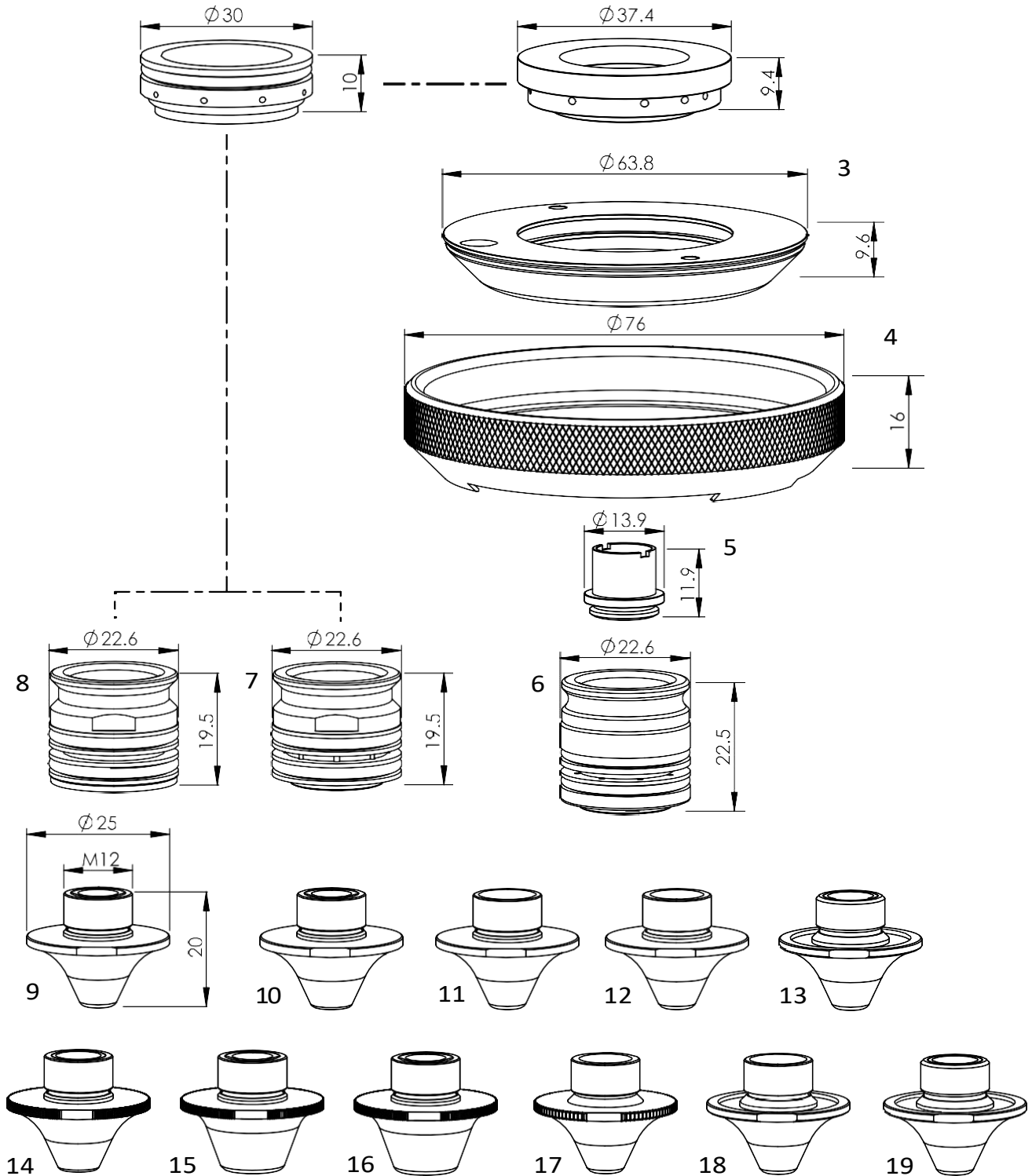
	Centricut P/N	Raysoar P/N	OEM Ref. No.	Description	Pkg qty
1	AM367-2349		7973497, 71712349	AM-Holder, PTFE*	1
2	AM367-2026		71502026	AM-Holder, PTFE*	1
3	AM367-2342 NEW		71712342	AM-Cover kit	1
4	AM367-2341 NEW		71712341	AM-Nut kit	1
5	AM367-6438		71716438, 71798350	AM-Inner for adapter	1
	AM367-0397 (not shown)			AM-O-ring kit for adapter	1
6	AM367-0360		71712350, 7973459	AM-Nozzle adapter w/holes	1
	AM367-0364		71712350, 7973459	AM-Nozzle adapter w/holes and inner	1
7	AM367-2036		71502036	AM-Nozzle adapter w/8 holes	1
8	AM367-3036		71502036	AM-Nozzle adapter w/12 holes	1
9	AM367-0853			AM-O-ring , PTFE*	1
10	AM367-5853		71515853	AM-Ring, PTFE*	1
11	AM367-2340		71712340	AM-Ring w/groove, PTFE*	1
12	AM386-2025CP		71461026	AM-Nozzle double WACS w/holes, 2.5 mm CP	1
	AM386-2041CP		71502040	AM-Nozzle double WACS w/holes, 4.0 mm CP	1
13	AM367-1014CP		71461026	AM-Nozzle double WACS w/holes, 1.4 mm CP	1
	AM367-1017CP		71461026	AM-Nozzle double WACS w/holes, 1.7 mm CP	1
	AM367-1020CP		71461026	AM-Nozzle double WACS w/holes, 2.0 mm CP	1
	AM367-2039		71502039	AM-Nozzle double WACS w/holes, 2.5 mm CP	1
	AM367-2040		71502040	AM-Nozzle double WACS w/holes, 4.0 mm CP	1
	AM367-2050CP			AM-Nozzle double WACS w/holes, 5.0 mm CP	1
14	AM367-2336		71712336, 71461158	AM-Nozzle WACS, S1.2 mm CP	1

*PolyTetraFluoroEthylene is a fluorocarbon-based polymer and is commonly abbreviated PTFE. The Teflon® brand of PTFE is manufactured only by DuPont and is not sold by Hypertherm. Hypertherm purchases other brands of PTFE from various high quality manufacturers.


Consumables

	Centricut P/N	Raysoar P/N	OEM Ref. No.	Description	Pkg qty
15	AM367-1352CP		1576260	AM-Nozzle double WACS, D1.4 mm CP	1
	AM367-1160CP			AM-Nozzle double WACS w/Collar, D1.4 mm CP	1
	AM367-1353CP			AM-Nozzle double WACS, D1.7 mm CP	1
	AM367-1162CP			AM-Nozzle double WACS w/Collar, D1.7 mm CP	1
	AM367-1354CP			AM-Nozzle double WACS, D2.0 mm CP	1
	AM367-1164CP			AM-Nozzle double WACS w/Collar, D2.0 mm CP	1
	AM367-1355CP		71712335	AM-Nozzle double WACS, D2.5 mm CP D2.5W	1
	AM367-1156CP		71712335	AM-Nozzle double WACS w/Collar, D2.5 mm CP	1
	AM367-1158CP		71712336, 71461158, 1576402D	AM-Nozzle double WACS, D4.0 mm CP D4.0W	1
	AM367-1157CP			AM-Nozzle double WACS w/Collar, D4.0 mm CP	1
	AM367-1159CP		71502057	AM-Nozzle double WACS, D5.0 mm CP	1
	AM367-1165CP			AM-Nozzle double WACS w/Collar, D5.0 mm CP	1
16	AM367-0019			AM-Nozzle fiber, S0.8 mm Fe HCP	1
	AM367-0019C			AM-Nozzle w/collar fiber, S0.8 mm Fe HCP	1
	AM367-0030		71570030	AM-Nozzle fiber, S1.0 mm Fe HCP S1.0FE-AC	1
	AM367-0030C		71570030	AM-Nozzle w/collar fiber, S1.0 mm Fe HCP	1
	AM367-0023		71570023	AM-Nozzle fiber, S1.2 mm Fe HCP S1.2FE-AC	1
	AM367-0023C		71570023	AM-Nozzle w/collar fiber, S1.2 mm Fe HCP	1
	AM367-0024			AM-Nozzle fiber, S1.4 mm Fe HCP	1
	AM367-0024C			AM-Nozzle w/collar fiber, S1.4 mm Fe HCP	1
	AM367-0027			AM-Nozzle fiber, S1.7 mm Fe HCP	1
	AM367-0026			AM-Nozzle fiber, S2.0 mm Fe HCP	1
	AM367-0026C			AM-Nozzle w/collar fiber, S2.0 mm Fe HCP	1
	17	AM367-1900CP			AM-Nozzle double fiber, D1.2 mm Fe HCP
AM367-1901CP				AM-Nozzle double fiber, D1.5 mm Fe HCP	1

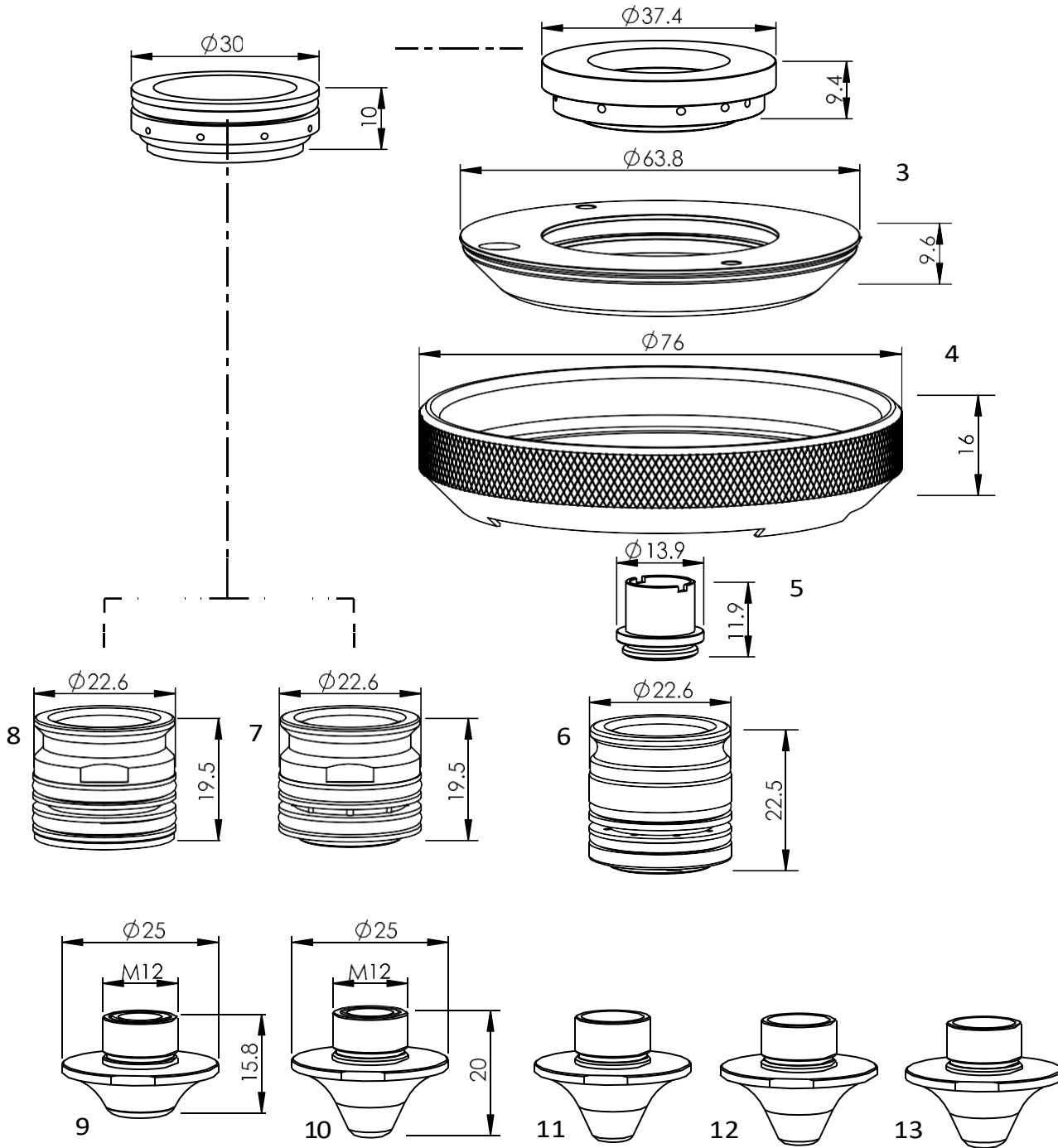
*PolyTetraFluoroEthylene is a fluorocarbon-based polymer and is commonly abbreviated PTFE. The Teflon® brand of PTFE is manufactured only by DuPont and is not sold by Hypertherm. Hypertherm purchases other brands of PTFE from various high quality manufacturers.



Consumables

	Centricut P/N	Raysoar P/N	OEM Ref. No.	Description	Pkg qty
1	AM367-2349		7973497, 71712349	AM-Holder, PTFE*	1
2	AM367-2026		71502026	AM-Holder, PTFE*	1
3	AM367-2342 NEW		71712342	AM-Cover kit	1
4	AM367-2341 NEW		71712341	AM-Nut kit	1
5	AM367-6438		71716438, 71798350	AM-Inner for adapter	1
	AM367-0397 (not shown)			AM-O-ring kit for adapter	1
6	AM367-0360		71712350, 7973459	AM-Nozzle adapter w/holes	1
	AM367-0364		71712350, 7973459	AM-Nozzle adapter w/holes and inner	1
7	AM367-2036		71502036	AM-Nozzle adapter w/8 holes	1
8	AM367-3036		71502036	AM-Nozzle adapter w/12 holes	1
9	AM367-8550		71518550, 71461029, 71502038	AM-Nozzle double eco cut, D1.4 mm CP	1
	AM367-6789		71516789, 71501059	AM-Nozzle double eco cut, D2.5 mm CP	1
	AM367-6795			AM-Nozzle double eco cut, D3.0 mm CP	1
	AM367-6790		71516790, 71501060	AM-Nozzle double eco cut, D4.0 mm CP	1
10	AM367-6791CP		71501093	AM-Nozzle double, D4.0 mm AL CP	1
11	AM367-1407CP		71502037, 71566686	AM-Nozzle eco cut, S1.2 mm CP	1
12	AM367-1410CP			AM-Nozzle eco cut, S1.4 mm CP	1
	AM367-1411CP		71501056, 71712720	AM-Nozzle eco cut, S1.5 mm CP	1
	AM367-1412CP		71501057, 71555124	AM-Nozzle eco cut, S2.0 mm CP	1
	AM367-1413CP		71516788, 71501058	AM-Nozzle eco cut, S3.0 mm CP	1
13	AM367-1161CP			AM-Nozzle double, D1.5 mm CP	1
	AM367-1163CP		71570022	AM-Nozzle double, D2.0 mm CP	1
14	AM367-1727CP			AM-Nozzle double clean cut, D2.5 mm HCP	1
	AM367-1728		71341728, 71555121	AM-Nozzle double clean cut, D4.0 mm HCP D4.0CC	1
15	AM367-1717CP			AM-Nozzle double clean cut, D5.0 mm HCP	1
	AM367-1718CP			AM-Nozzle double clean cut, D6.0 mm HCP	1
	AM367-1729CP		71341729, 71712721	AM-Nozzle double clean cut, D7.0 mm HCP D7.0CC	1
	AM367-1092CP		71501092	AM-Nozzle double clean cut, 7.0 mm AL CP	1
16	AM367-1770CP		71712692	AM-Nozzle double silky cut, 7.0 mm CP	1
17	AM367-1421CP			AM-Nozzle clean cut, S1.5 mm HCP	1
	AM367-1422CP		71502043	AM-Nozzle clean cut, S2.0 mm HCP	1
	AM367-1423CP		71502044	AM-Nozzle clean cut, S3.0 mm HCP	1
	AM367-1424CP			AM-Nozzle clean cut, S2.5 mm HCP	1
18	AM367-1560			AM-Nozzle, S0.8 mm Fe CP	1
	AM367-1561		71570021	AM-Nozzle, S1.0 mm Fe CP S1.0FE	1
	AM367-1562		71570020	AM-Nozzle FE, S1.2 mm Fe CP S1.2FE	1
	AM367-1563			AM-Nozzle, S1.4 mm Fe CP	1
19	AM367-0020		71570022	AM-Nozzle double, D2.0 mm Fe CP D2.0F	1
	AM367-0025			AM-Nozzle double, D2.5 mm Fe CP D2.5F	1
	AM367-0040 NEW			AM-Nozzle double, D4.0 mm Fe CP	1

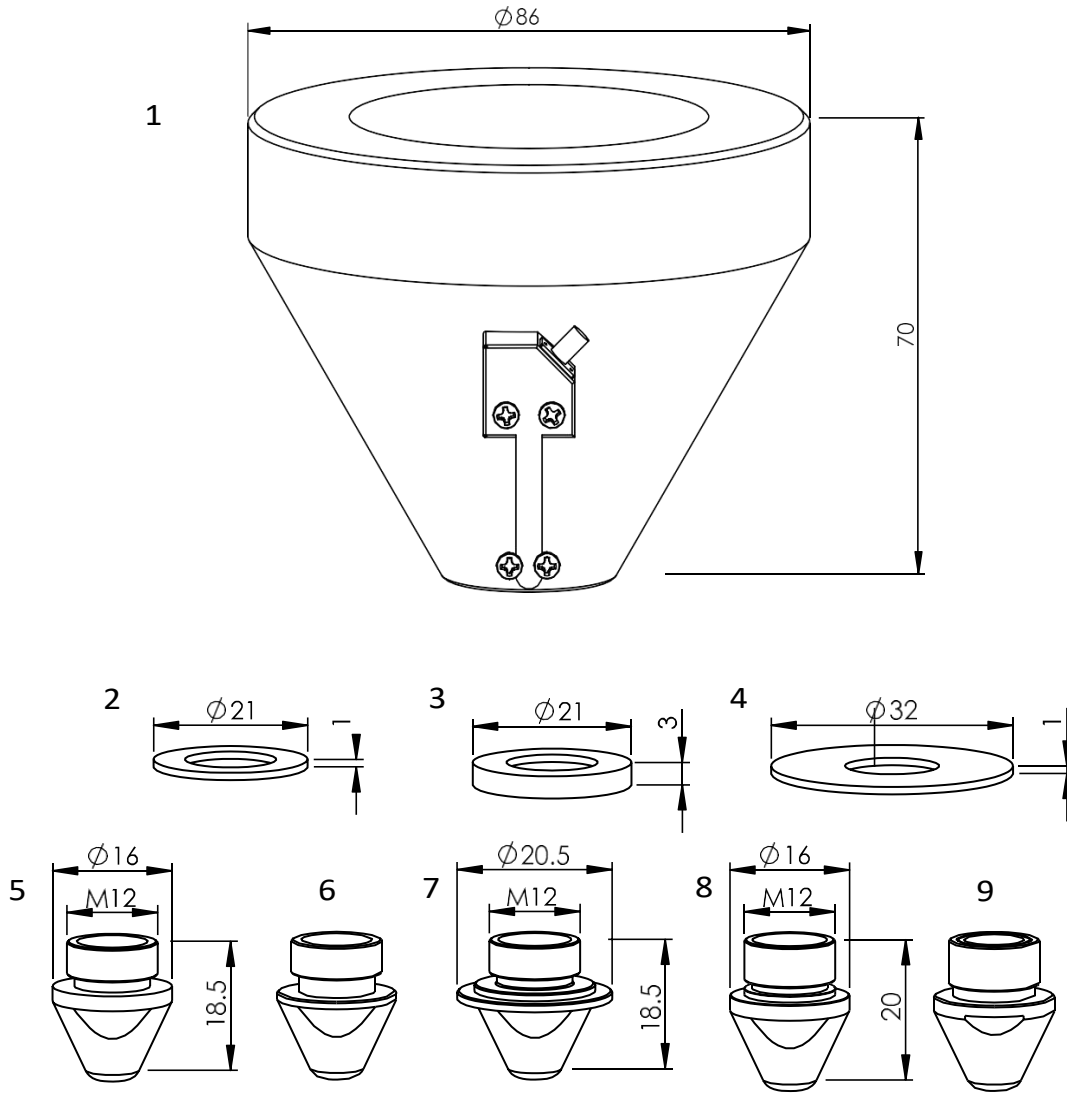
*PolyTetraFluoroEthylene is a fluorocarbon-based polymer and is commonly abbreviated PTFE. The Teflon® brand of PTFE is manufactured only by DuPont and is not sold by Hypertherm. Hypertherm purchases other brands of PTFE from various high quality manufacturers.



Consumables

	Centricut P/N	Raysoar P/N	OEM Ref. No.	Description	Pkg qty
1	AM367-2349		7973497, 71712349	AM-Holder, PTFE*	1
2	AM367-2026		71502026	AM-Holder, PTFE*	1
3	AM367-2342 NEW		71712342	AM-Cover kit	1
4	AM367-2341 NEW		71712341	AM-Nut kit	1
5	AM367-6438		71716438, 71798350	AM-Inner for adapter	1
	AM367-0397 (not shown)			AM-O-ring kit for adapter	1
6	AM367-0360		71712350, 7973459	AM-Nozzle adapter w/holes	1
	AM367-0364		71712350, 7973459	AM-Nozzle adapter w/holes and inner	1
7	AM367-2036		71502036	AM-Nozzle adapter w/8 holes	1
8	AM367-3036		71502036	AM-Nozzle adapter w/12 holes	1
9	AM343-2340CPS			AM-Nozzle double short, 4.0 mm CP	1
	AM343-2350CPS			AM-Nozzle double short, 5.0 mm CP	1
	AM343-2360CPS			AM-Nozzle double short, 6.0 mm CP	1
10	AM367-1812HCP		1572361	AM-Nozzle double, 1.2 mm Hard CP	1
	AM367-1814HCP		71369813, 71502038, 71341779, 71518550	AM-Nozzle double, 1.4 mm Hard CP D1.4E	1
	AM367-1817HCP		1572361, 71518548, 1572380	AM-Nozzle double, 1.7 mm Hard CP	1
	AM367-1820HCP		1572361	AM-Nozzle double, 2.0 mm Hard CP D2.0	1
	AM367-1825HCP		71501059, 71515394, 71516789, 1576398	AM-Nozzle double, 2.5 mm Hard CP	1
	AM367-1830HCP		1572361	AM-Nozzle double, 3.0 mm Hard CP	1
	AM367-1840HCP		71501060, 71515395, 1576399	AM-Nozzle double, 4.0 mm Hard CP D4.0	1
	AM367-1037			AM-Nozzle double, 4.0 mm /inner 2.0 mm CP	1
	AM367-1850HCP		1572361	AM-Nozzle double, 5.0 mm Hard CP	1
AM343-0569			AM-Nozzle double, 6.0 mm CP	1	
11	AM367-1608HCP		71341781, 71369822, 1572362, 71563584	AM-Nozzle, 0.8 mm HCP	1
	AM367-1610HCP		1572367, 1572367A, 7156358	AM-Nozzle, 1.0 mm HCP	1
	AM367-1612HCP		71369812, 71461028, 71341778	AM-Nozzle, 1.2 mm HCP S1.2E	1
	AM367-1615HCP		1572362, 1572368B	AM-Nozzle, 1.5 mm HCP	1
	AM367-1620HCP		71515392, 71369815	AM-Nozzle, 2.0 mm HCP	1
	AM367-16255HCP			AM-Nozzle, 2.5 mm HCP	1
	AM367-1630HCP		71515393, 1576112	AM-Nozzle, 3.0 mm HCP	1
	AM367-1640HCP		1572362	AM-Nozzle, 4.0 mm HCP	1
12	AM343-0004CP			AM-Nozzle straight taper, 0.8 mm CP	1
	AM343-0005CP			AM-Nozzle straight taper, 1.0 mm CP	1
	AM343-0006CP			AM-Nozzle straight taper, 1.2 mm CP	1
	AM343-0007CP			AM-Nozzle straight taper, 1.4 mm CP	1
	AM343-0001CP			AM-Nozzle straight taper, 1.5 mm CP S1.5	1
	AM343-0002CP			AM-Nozzle straight taper, 2.0 mm CP S2.0	1
	AM343-0009CP			AM-Nozzle straight taper, 2.3 mm CP	1
	AM343-0003CP			AM-Nozzle straight taper, 3.0 mm CP S3.0	1
13	AM367-2037		71502037	AM-Nozzle w/concave, 1.2 mm CP	1
	AM367-2038		71502038	AM-Nozzle double w/concave, 1.4 mm CP	1

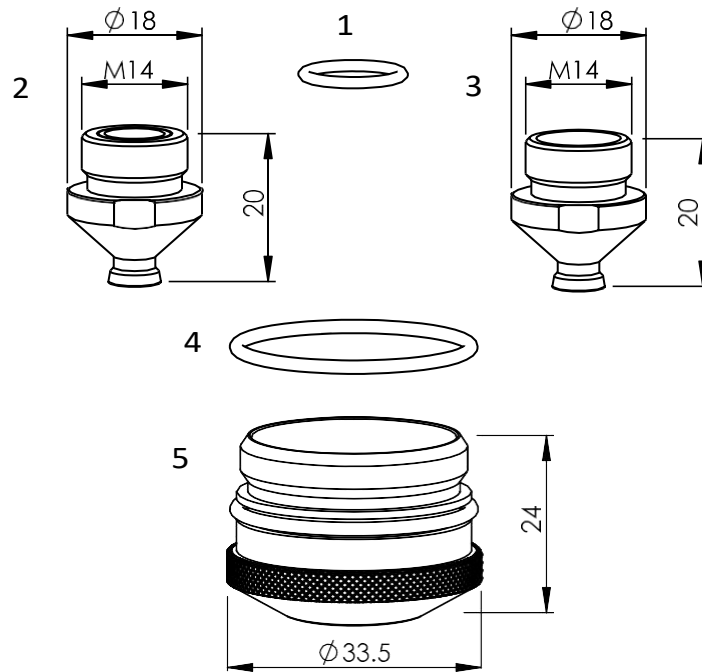
*PolyTetraFluoroEthylene is a fluorocarbon-based polymer and is commonly abbreviated PTFE. The Teflon® brand of PTFE is manufactured only by DuPont and is not sold by Hypertherm. Hypertherm purchases other brands of PTFE from various high quality manufacturers.



Consumables

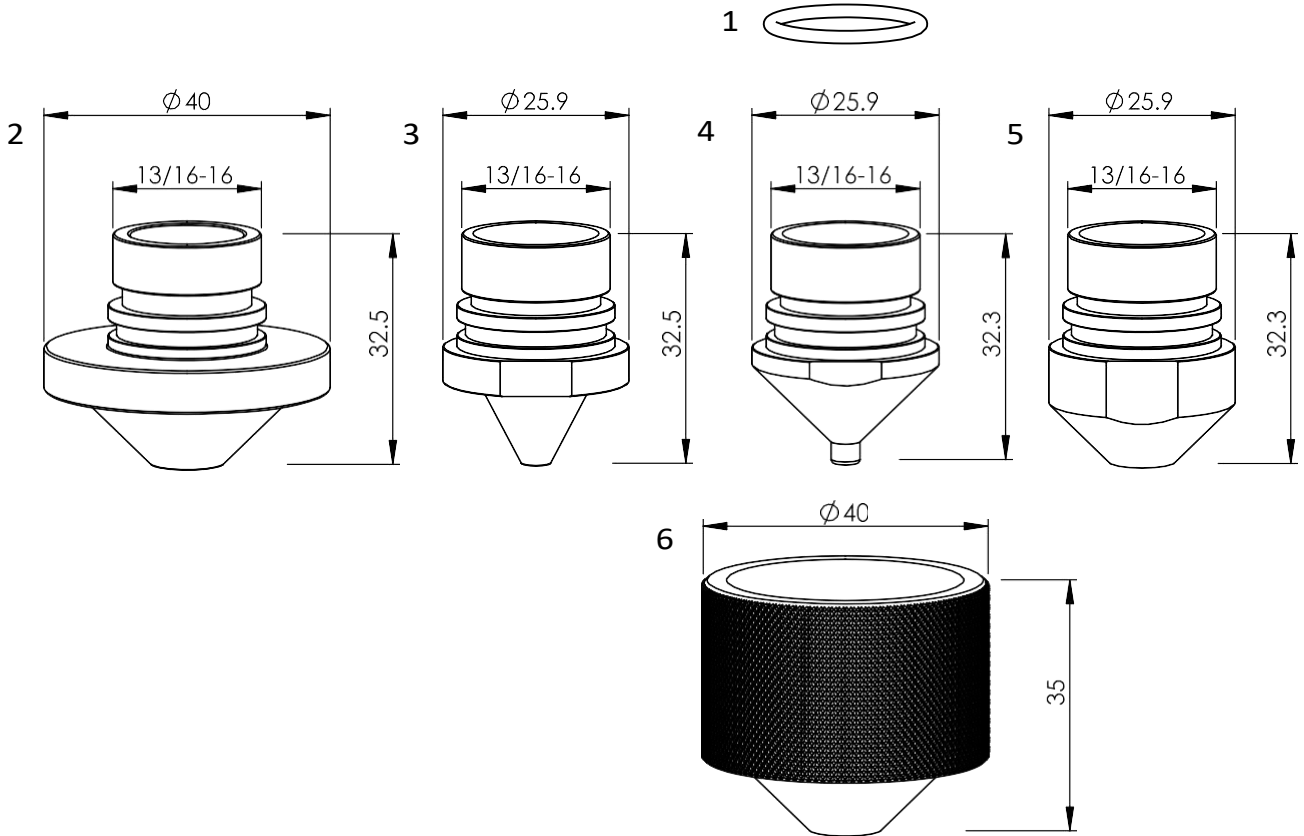
	Centricut P/N	Raysoar P/N	OEM Ref. No.	Description	Pkg qty
1	AM343-0091		71360091	AM-Sensor cone, HS95 mini	1
2	AM325-325-1		71341614	AM-Head protection disc, 21 mm plastic	1
	AM325-1614		71341614, 71369818	AM-Head protection disc, 21 mm Vespel	1
3	AM325-325-2		71341614	AM-Head protection disc, 21 mm ceramic	1
4	AM325-9819		71639819	AM-Head protection disc, 32 mm	1
5	AM325-545U-1.0		1664545U	AM-Nozzle, 1.0 mm CP	1
	AM325-0010CPX		1664545U	AM-Nozzle, 1.0 mm CP (10 pk)	10
	AM325-545U-1.25		1664545U	AM-Nozzle, 1.25 mm CP	1
	AM325-0125CPX		1664545U	AM-Nozzle, 1.25 mm CP (10 pk)	10
	AM325-545U-1.5		1664545U, 71341619, M90115	AM-Nozzle, 1.5 mm CP	1
	AM325-0015CPX		1664545U	AM-Nozzle, 1.5 mm CP (10 pk)	10
	AM325-545U-1.75		1664545U	AM-Nozzle, 1.75 mm CP	1
	AM325-0175CPX		1664545U	AM-Nozzle, 1.75 mm CP (10 pk)	10
	AM325-545U-2.0		1664545U, 71341610, M90114	AM-Nozzle, 2.0 mm CP	1
	AM325-0020CPX		1664545U, 71341610	AM-Nozzle, 2.0 mm CP (10 pk)	10
	AM325-545U-2.5		1664545U	AM-Nozzle, 2.5 mm CP	1
	AM325-0025CPX		1664545U	AM-Nozzle, 2.5 mm CP (10 pk)	10
	AM325-4544UX		1664545U, 71360142	AM-Nozzle, 3.0 mm CP (10 pk)*	10
	AM325-0400CPX			AM-Nozzle, 4.0 mm CP (10 pk)*	10
	AM325-0050CPX			AM-Nozzle, 5.0 mm CP (10 pk)*	10
6	AM325-0002CPX			AM-Nozzle, 1.25 mm CP (10 pk)*	10
	AM325-0003CPX			AM-Nozzle, 1.5 mm CP (10 pk)*	10
	AM325-0005CPX			AM-Nozzle, 2.0 mm CP (10 pk)*	10
	AM325-0006CPX			AM-Nozzle, 2.5 mm CP (10 pk)*	10
	AM325-0007CPX			AM-Nozzle, 3.0 mm CP (10 pk)*	10
7	AM325-1500CP			AM-Nozzle large flange, 1.5 mm CP	1
	AM325-2000CP			AM-Nozzle large flange, 2.0 mm CP	1
	AM325-3000CP			AM-Nozzle large flange, 3.0 mm CP	1
8	AM325-1770		71341770, 1667110	AM-Nozzle, 2.0 mm CP	1
	AM325-1730			AM-Nozzle, 3.0 mm CP	1
9	AM326-9864-1.0		1669864, 7134162	AM-Nozzle double, 1.0 mm CP	1
	AM326-9864-1.2		1669864, 7134162	AM-Nozzle double, 1.2 mm CP	1
	AM326-9864-1.4		1669864, 7134162	AM-Nozzle double, 1.4 mm CP	1
	AM326-9864-1.5		1669864, 7134162	AM-Nozzle double, 1.5 mm CP	1
	AM326-9864-2.0		1669864, 7134162	AM-Nozzle double, 2.0 mm CP	1
	AM326-9864-2.5		1669864, 7134162, 41341680, 71341772	AM-Nozzle double, 2.5 mm CP	1
	AM326-9864-3.0		1669864, 7134163	AM-Nozzle double, 3.0 mm CP	1
	AM326-4135CP		1669864, 7134162	AM-Nozzle double, 3.5 mm CP	1
	AM326-9864-4.0		1669795, 71341681	AM-Nozzle double, 4.0 mm CP	1

* Available in single packs. To order single packs, remove the 'X' at the end of the part number (e.g. AM123-4567X would be AM123-4567)



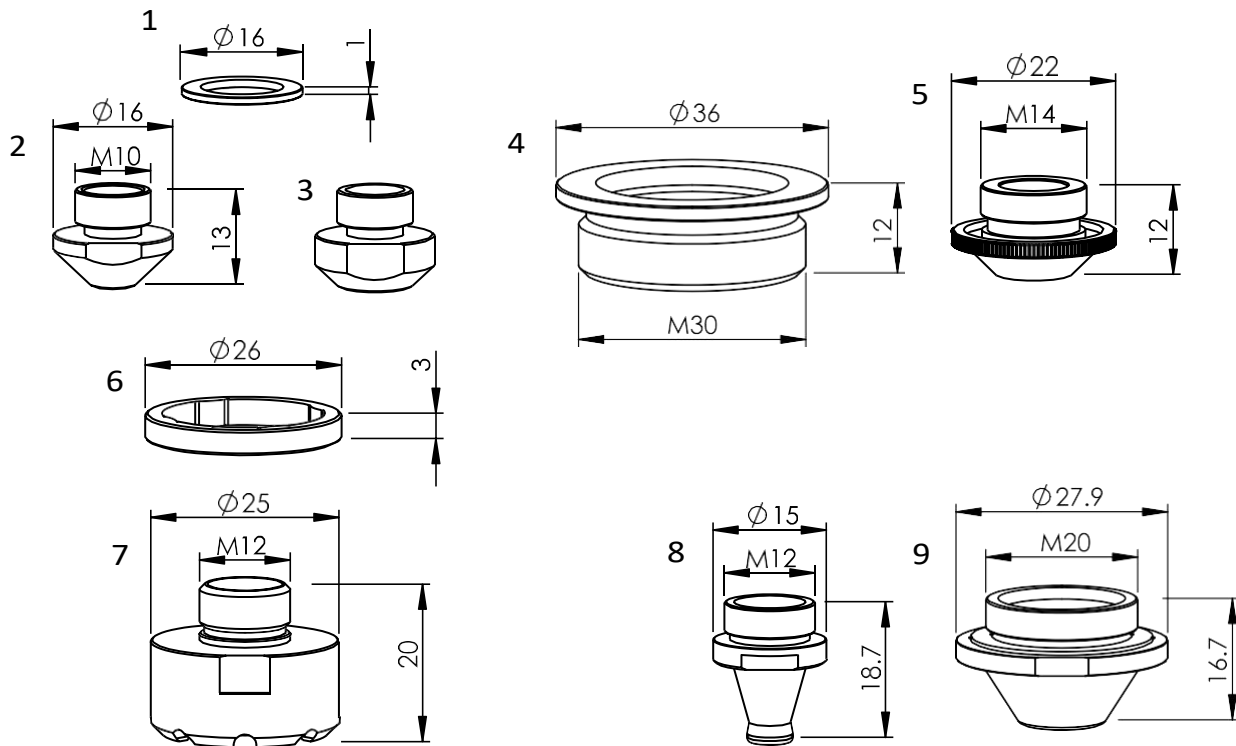
Consumables

	Centricut P/N	Raysoar P/N	OEM Ref. No.	Description	Pkg qty
1	AM326-S-14		S-14	AM-O-ring for nozzle (10 pcs)	10
2	AM326-1210CP		6551218, 71341682	AM-Nozzle double, 1.0 mm CP	1
	AM326-1214CP		6551218, 71341682	AM-Nozzle double, 1.4 mm CP	1
	AM326-1218-2.0		6551218, 71341682	AM-Nozzle double, 2.0 mm CP	1
	AM326-1218-2.5		6551218, 71341682, 71341680	AM-Nozzle double, 2.5 mm CP	1
	AM326-1218-3.0		6551218, 71341682	AM-Nozzle double, 3.0 mm CP	1
	AM326-1218-3.8		6551218, 71341682	AM-Nozzle double, 3.8 mm CP	1
	AM326-4140CP		6551218, 71341682	AM-Nozzle double, 4.0 mm CP	1
3	AM326-6025CP		71366090	AM-Nozzle, 2.5 mm CP	1
	AM326-6030CP		71366090	AM-Nozzle, 3.0 mm CP	1
4	AM326-6453		71366453	AM-O-ring for outer nozzle (10 pcs)	10
5	AM326-6452		71366452, 71341684, 6551148A	AM-Nozzle outer, CP	1



Consumables

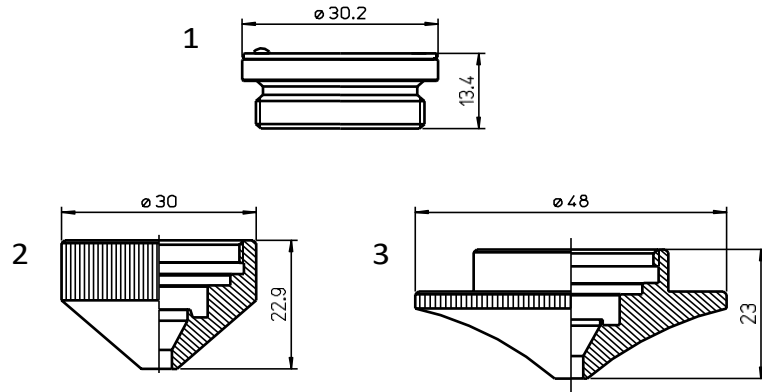
	Centricut P/N	Raysoar P/N	OEM Ref. No.	Description	Pkg qty
1	AM308-S-20		S-20	AM-O-ring (10 pk)	10
2	AM425-1999		71101999	AM-Nozzle clean cut, 2.0 mm CP	1
3	AM324-6815CP		6506892	AM-Nozzle, 1.5 mm CP	1
	AM324-0092CP		6506892	AM-Nozzle, 1.8 mm CP	1
	AM324-6892-2.0		74712001, 6506892	AM-Nozzle, 2.0 mm CP	1
4	AM308-1913CP		71101901	AM-Nozzle, 1.3 mm CP	1
	AM308-1902		71101902	AM-Nozzle, 1.5 mm CP	1
	AM308-1918CP		71101901	AM-Nozzle, 1.8 mm CP	1
	AM308-1901-2.0		71101901, 845735	AM-Nozzle, 2.0 mm CP	1
	AM308-1925CP			AM-Nozzle, 2.5 mm CP	1
5	AM308-2013CP			AM-Nozzle, 1.3 mm CP	1
	AM308-2015CP		62094001, 71102001	AM-Nozzle, 1.5 mm CP	1
	AM308-2030CP		62094002, 71102005	AM-Nozzle, 3.0 mm CP	1
6	AM308-1905		71101905, 841143B	AM-Nozzle outer, CP	1


Consumables

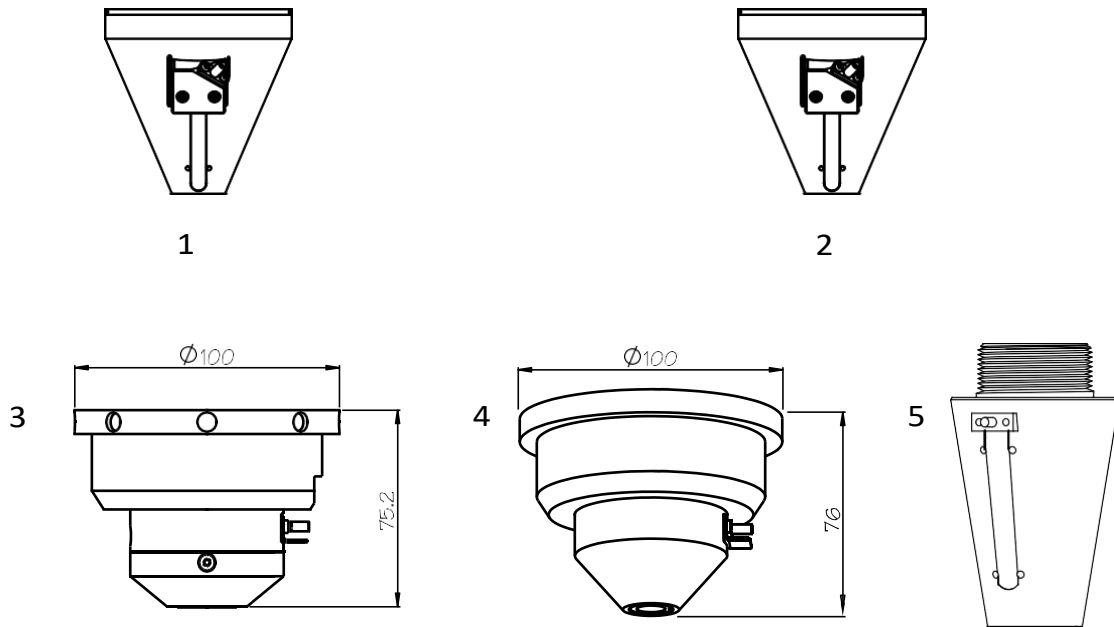
	Centricut P/N	Raysoar P/N	OEM Ref. No.	Description	Pkg qty
1	AM325-4006-R		62094006	AM-Head protection disc, 16 mm	1
2	AM325-4006-1.3		62094006	AM-Nozzle, 1.25 mm CP	1
	AM325-4125CPX		62094006	AM-Nozzle, 1.25 mm CP (10 pk)	10
	AM325-4006-1.5		62094006, 1507610	AM-Nozzle, 1.5 mm CP	1
	AM325-4015CPX		62094006, 1507610	AM-Nozzle, 1.5 mm CP (10 pk)	10
	AM325-4175CPX		62094006	AM-Nozzle, 1.75 mm CP (10 pk)*	10
	AM325-4006-2.0		62094006, 1507611	AM-Nozzle, 2.0 mm CP	1
	AM325-4020CPX		62094006, 1507611	AM-Nozzle, 2.0 mm CP (10 pk)	10
	AM325-4025CPX		62094006	AM-Nozzle, 2.5 mm CP (10 pk)*	10
	AM325-4006-3.0		62094008, 71102007	AM-Nozzle, 3.0 mm CP	1
	AM325-4030CPX		62094008, 71102007	AM-Nozzle, 3.0 mm CP (10 pk)	10
3	AM325-1090CPX		62094005	AM-Nozzle, 1.0 mm CP (10 pk)*	10
	AM325-4005-1.5		62094005, 71341515	AM-Nozzle, 1.5 mm CP	1
	AM325-4005-2.0		62094005, 71102006	AM-Nozzle, 2.0 mm CP	1
	AM325-1520CPX		62094005, 71102006	AM-Nozzle, 2.0 mm CP (10 pk)	10
	AM325-1530CPX		62094005, 71341515-3.0	AM-Nozzle, 3.0 mm CP (10 pk)*	10
4	AM325-0387			AM-Spacer, 36x12 ceramic	1
5	AM308-8815CP			AM-Nozzle, 1.5 mm CP	1
	AM308-8820CP		74718816, 8249301	AM-Nozzle, 2.0 mm CP	1
6	AM367-3028			AM-Collar, PTFE**	1
7	AM367-1333			AM-Nozzle, 2.0 mm	1
8	AM369-0002			AM-Nozzle HP-X, 1.0 mm CP	1
	AM369-0004			AM-Nozzle HP-X, 1.5 mm CP	1
	AM369-0005			AM-Nozzle HP-X, 2.0 mm CP	1
	AM369-0006			AM-Nozzle HP-X, 2.5 mm CP	1
	AM369-0007		71362733	AM-Nozzle HP-X, 3.0 mm CP	1
9	AM369-0008			AM-Nozzle outer, HP-X CP	1

* Available in single packs. To order single packs, remove the 'X' at the end of the part number (e.g. AM123-4567X would be AM123-4567)

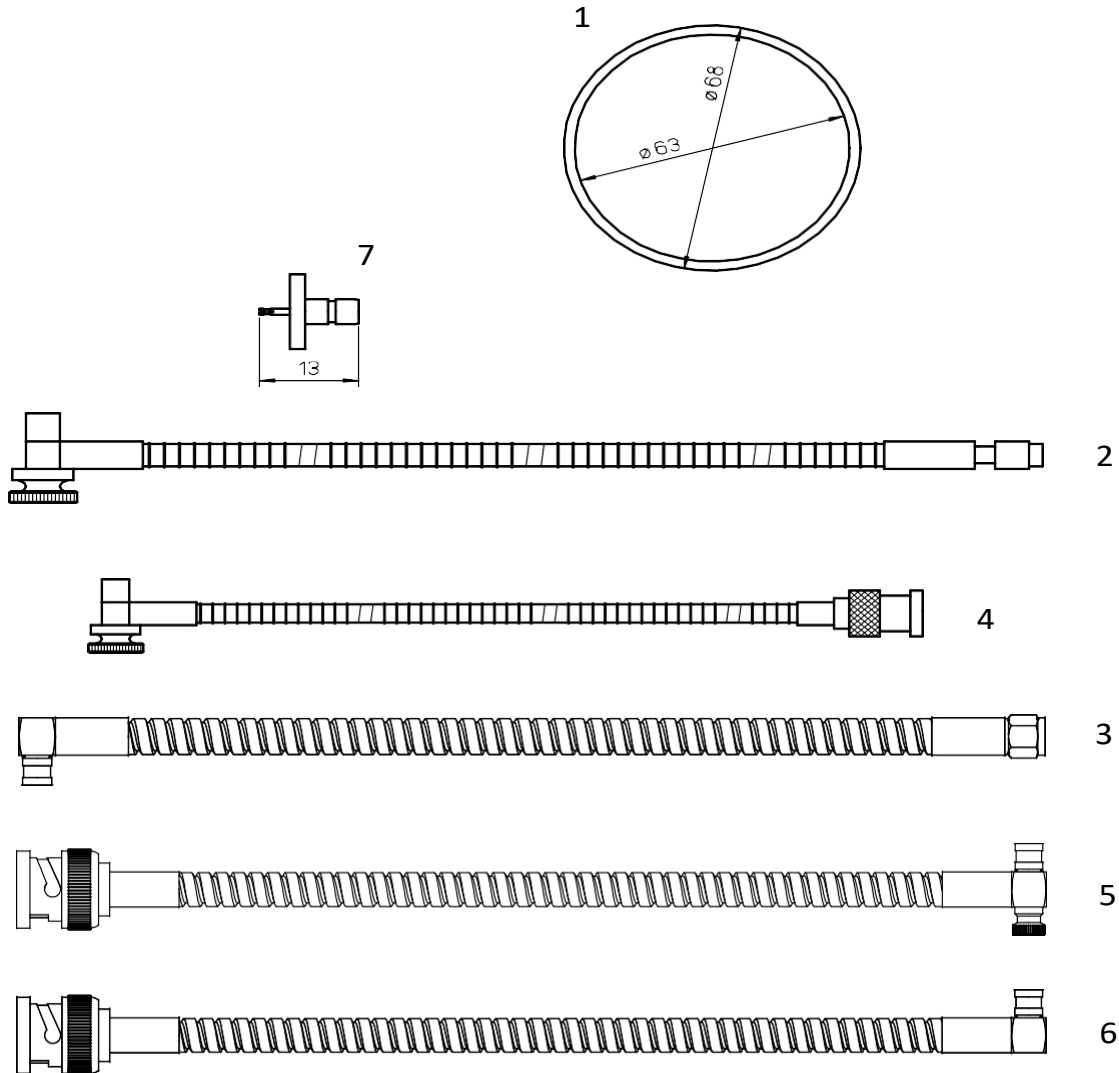
** PolyTetraFluoroEthylene is a fluorocarbon-based polymer and is commonly abbreviated PTFE. The Teflon® brand of PTFE is manufactured only by DuPont and is not sold by Hypertherm. Hypertherm purchases other brands of PTFE from various high quality manufacturers.


Consumables

	Centricut P/N	Raysoar P/N	OEM Ref. No.	Description	Pkg qty
1	MB334-0001		P0594-860-00001	MB-Nozzle holder	1
2	MB316-269S		71800027, BQ933D221H04, P0593-860-00001	MB-Shield cap, short	1
	MB316-269SCP			MB-Shield cap, short CP	1
3	MB316-0440		BQ933D044H01, 71800101, W18Q93304401	MB-Nozzle outer, high speed pierce	1


Consumables

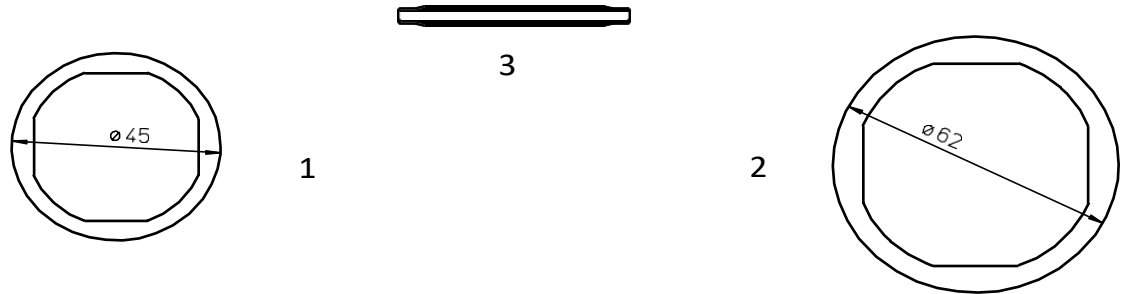
	Centricut P/N	Raysoar P/N	OEM Ref. No.	Description	Pkg qty
	New Sensor Cones				
1	AM343-0091		71360091	AM-Sensor cone, HS95 mini	1
2	AM343-1621		71341621	AM-Sensor cone, HS95	1
3	AM343-9107			AM-Sensor cone, ECO	1
4	AM343-1690		71341690	AM-Sensor cone, HS98	1
5	AM343-L3015C NEW		P0380-140-0002	AM-Sensor cone, LC3015	1



Consumables

	Centricut P/N	Raysoar P/N	OEM Ref. No.	Description	Pkg qty
1	AM313-0004			AM-Gasket, sensor head, PTFE*	1
2	AM313-1901		71341630	AM-Sensor cable, 305 mm (12")	1
3	AM313-1901A		71341630	AM-Sensor cable HS-5, 305 mm (12") premium, armored	1
4	AM308-8965		71398965	AM-Sensor cable, 305 mm (12")	1
5	AM308-8965A			AM-Sensor cable, 305 mm (12") premium, armored	1
6	AM313-9851A		71369851	AM-Sensor cable, 230 mm (8") premium	1
7	AM308-0001			AM-Sensor cable connector	1
	AM313-1526 (not shown)		71341526	AM-Sensor cable ZS6, 530 mm	1
	AM313-8292 (not shown)		71398292	AM-Sensor cable dual shield, 7 meters	1

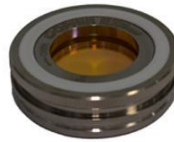
*PolyTetraFluoroEthylene is a fluorocarbon-based polymer and is commonly abbreviated PTFE. The Teflon® brand of PTFE is manufactured only by DuPont and is not sold by Hypertherm. Hypertherm purchases other brands of PTFE from various high quality manufacturers.



Optics

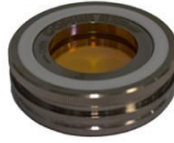
	Centricut P/N	Raysoar P/N	OEM Ref. No.	Description	Pkg qty
Centricut lens housings and assemblies					
1	AM313-0005		71360261, 74721907	AM-Gasket, 1.5" lens housing, PTFE*	1
2	AM313-9513		71361393	AM-Gasket 2.0" lens housing, PTFE*	1
3	AM313-1071		71501071	AM-Gasket	1

*PolyTetraFluoroEthylene is a fluorocarbon-based polymer and is commonly abbreviated PTFE. The Teflon® brand of PTFE is manufactured only by DuPont and is not sold by Hypertherm. Hypertherm purchases other brands of PTFE from various high quality manufacturers.



CO2 Focus Lens

	Raysoar P/N	OEM Ref. No.	Description	Brandname
1	LAM001-8662		Lens Plx 1.5"Dia/5.0"FL/.300"ET	II-VI
2	LAM001-6068	306068, 65025, 81140400,71369831	Lens Plx 1.5"Dia/7.5"FL/.300"ET	II-VI
3	LAM001-1363	81140307	Lens Plx 2.0"Dia/5.0"FL/.380"ET	II-VI
4	LMZ001-2771	61405, Z50ZZ000520A/Z50MBP00520	Lens Plx 2.0"Dia/7.5"FL/.380"ET	II-VI
5	LAM001-8662	9001216A	Lens Plx 1.5"Dia/5.0"FL/.300"ET MTD	II-VI
6	LAM001-3110	715,010,707,973,110	Lens Plx 1.5"DIA/7.5"FL/.300"ET Mtd	II-VI
7	LAM001-1758	7973418	Lens Plx 2.0"Dia/5.0"FL/9.6 MM ET Mtd	II-VI
8	LAM001-1801	7973419	Lens Plx 2.0"Dia/7.5"FL/9.6 MM ET Mtd FOMII	II-VI



CO2 Focus Lens

	Raysoar P/N	OEM Ref. No.	Description	Brandname
1	LAMO01-1363A		Lens Plx 2.0"Dia/5.0"FL/.380"ET	Raypower
2	LAMO01-2771A		Lens Plx 2.0"Dia/7.5"FL/.380"ET	Raypower
3	LAMO01-0911A	960537	Lens Plx 2.0"Dia/10.0"FL/.380"ET	Raypower
4	LAMO01-8108MTD	6069703	Lens Plx 1.5"Dia/5.0"FL/.310"ET ASSY	Raypower
5	LAMO01-8938MTD	6069789	Lens Plx 1.5"Dia/7.5"FL/.310"ET ASSY	Raypower
6	LAMO01-1363AMTD	6021758	Lens Plx 2.0"Dia/5.0"FL/9.6 MM ET ASSY	Raypower
7	LAMO01-2771AMTD	6021801	Lens Plx 2.0"Dia/7.5"FL/9.6 MM ET ASSY	Raypower



CO2 Folding Mirror

	Raysoar P/N	OEM Ref. No.	Description	Brandname
1	LAMO02-0838		CU REFLECTOR 50.8MMDIA 10MMET 3.3MCX/SPT MMR/UC	II-VI
2	LAMO02-2098	71710031	Mirror CU MMR 2.0"Dia/.394"ET/4.6MCC	II-VI
3	LAMO02-7882	71559096	Mirror CU MMR 2.0"Dia/.394"ET/3.0MCX	II-VI
4	LAMO02-3098	71514619	Mirror CU MMR-A 2.0"DIA/.394"ET/6.0MCC	II-VI
5	LAMO02-7137	71514620	Mirror CU MMR 2.0"Dia/.394"ET/5.7MCX	II-VI
6	LAMO02-4835	71341534	Mirror SI TRZ 3.0"Dia/.250"ET	II-VI
7	LAMO02-4094	71198091	Mirror SI PS 3.0"Dia/.250"ET	II-VI



CO2 Optics for Oscillator

	Raysoar P/N	OEM Ref. No.	Description	Type of Oscillator	Brandname
1	LAMO02-2132	71198088	Mirror SI PS 2.0"Dia/.200"ET 98.5%R	C2000B,C,E,iB/C3000,B,C,D/C4000A,E,iB/C6000A,B	II-VI
2	LFAO02-1534	71198089	Mirror SI TRZ 2.0"DIA/.200" ET	C2000B,C,E,iB/C3000,B,C,D/C4000A,E,iB/C6000A,B	II-VI
3	LFAO02-8825	71198083	Mirror SI MMR 2.0"DIA/.200" ET (Internal)	C2000B,C,E,iB/C3000,B,C,D/C4000A,E,iB/C6000A,B	II-VI
4	LFAO03-2030		ZnSe Partial Reflector,1.5"D*0.315"ET	C4000A/C4000E/C4000iA	II-VI
5	LFAO03-3827	71198230	ZnSe Partial Reflector,1.5"D*0.315"ET	C6000iA/B C6000E/C4000iB/C4000iC	II-VI
6	LFAO03-4977		ZnSe Partial Reflector,1.5"D*0.315"ET	C2000B/C2000C/C2000E/C2000i-A	II-VI
7	LFAO03-5303		ZnSe Partial Reflector 1.5"D*0.315"ET	C4000i-A AMADA	II-VI
8	LFAO03-6260	71198160	ZnSe Partial Reflector 1.5"D*0.315"ET	C2000iB/C2500E/C2000iC	II-VI
9	LFAO03-7295		ZnSe Partial Reflector,1.5"D*0.315"ET		II-VI
10	LFAO04-2644	71198228	Ge Partial Reflector 1.5"D*0.315"ET	C2000iB/C2500E/C2000iC	II-VI
11	LFAO04-7088	910501	Ge Partial Reflector 1.5"D*0.315"ET	C6000iA/B C6000E/C4000iB/C4000iC	II-VI
12	LFAO04-7102		Ge Partial Reflector,1.5"D*0.315"ET	C2000B/C2000C/C2000E/C2000i-A	II-VI
13	LFAO04-7692	71398600	Ge Partial Reflector,1.5"D*0.315"ET	C4000A/C4000E/C4000iA	II-VI



Fiber Optics

	Raysoar P/N	OEM Ref. No.	Part Name	Description	Brandname
1	LAMO11-1910	HG17.522	Protective Window	Fused Silica PW D19.00 T1.0 AR/AR@1064nm	Raypower
2	LAMO11-3315	100640	Protective Window	Fused Silica PW D33.00 T1.5 AR/AR@1064nm 等边八角形	Raypower
3	LAMO11-4530		Protective Window	Fused Silica PW D45.00 T3.0 AR/AR@1064nm	Raypower
4	LAMO01-F190AP		Focus Lens ASSY	Fused Silica D50.8 F190 Focus Lens with mount	Raypower



Air Filter

	Raysoar P/N	OEM Ref.No.	Description
1	LAMP07-1605	71564336	M3000-10-W-FL471605 Filter C5415 Filter Element
2	LAMP07-1606	71564234	M3000-10-W-FL471606 SERIAL Filter F3-308480 Filter Element
3	LAMP07-3V26	71563247	Element for air breather 38mm*60mm*48mm
4	LAMP07-AFF11B	721684812	AFF-EL11B
5	LAMP07-AMG450	721684813	AMG-EL450
6	LAMP07-AMH450	721684811	AMH-EL450
7	LAMP07-W3100		W3000-ELEMENT (Pressure valve type: W3100-10-F1MX1)
8	LAMP07-1674	71341674	EKS150 For Super activated charcoal filter
9	LAMP07-1708	71341708	EMS150 For inlet and outlet filters 2PCS
10	LAMP07-1709	71341709/71341666	EDS150 For Super drain filter
11	LAMP07-1725	71341725	AMADA Filter Element Kit
12	LAMP07-9815	71519815	Amada air dryer filter, 10,000 hour kit. (2Pcs)



Dust Extraction Unit

	Raysoar P/N	Machine Type	Description
1	LAMP07-5416	PXIII- 22/55 PBA	Filter Cartridge H 550mm Outer Dia160mm Inner Dia 70mm
2	LAMP07-5520	PXN-VI CA	Filter Cartridge H 550mm Outer Dia 200mm Inner Dia 180mm



Oscillator

	Raysoar P/N	OEM Ref. No.	Description
1	LFAE18-B315		Matching Box A14B-0082-B315-01
2	LFAE18-D410		TRIGGER ELCTRODE
3	LFAL08-2030	A98L-0001-0619#2030	O-Ring(#2030),Ouput Coupler/Rear Mirror
4	LFAL08-2031	A98L-0001-0619#2031	O-Ring(#2031),Ouput Coupler/Rear Mirror
5	LFAL08-P10	JB-OR4D-P10	Trigger O-Ring
6	LFAL08-P26S	A98L-0003-0004#P26S	SD3.55-ID26.5
7	LFAL08-P38	JB-OR4D-P38	SD3.55-ID37.5O-Ring(P38),Ouput Coupler/Rear Mirror
8	LFAL08-P41	JB-OR4D-P41	O-Ring(P41),Ouput Coupler/Rear Mirror
9	LFAL21-0396	A90L-0001-0396	Fan for PSU
10	LFAL21-1608		Cooling Fan 40*40*20mm 24V 0.08A
11	LFAL21-4715	4715MS23TB30	Cooling Fan
12	LFAL21-6D03	A90L-0001-0507#A	9WF0424F6D03
13	LFAL30-4522R	A290-4522-T001	DISCHARGE TUBE
14	LLBL28-SV25	A90L-0001-0425	Vacuum Pump SV25 9550363
15	LFAM06-K329	A04B-0800-K329	Trubo blower oil 200mL
16	LLBM06-SAH	A98L-0040-0093	Oil for Vacuum Pump SA-H 1L
17	LLBM07-2023	A98L-0001-0911	Filter for Vacuum Pump



Bellows

	Raysoar P/N	OEM Ref. No.	Description
1	LAMM12-GXFO3015AF		Bellows for Beam Guideway140mm*140mm*6000mm (Flame Retardant)
2	LAMM12-LCG3015AF-Z		Bellows for Beam Guideway Z-axis145mm*145mm*2000mm (Flame Retardant)