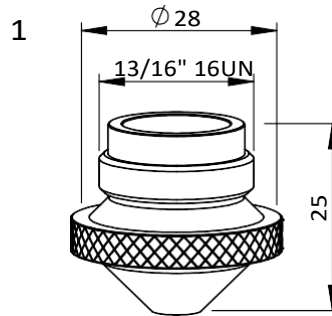

**Consumables**

	Centricut P/N	Raysoar P/N	OEM Ref. No.	Description	Pkg qty
1	PT311-1146		281146, P0380-211-00001, 29100033	PT-Nozzle holder ITM 1.5" DZ	1
	PT311-1146OEM		281146, P0380-211-00001, 29100033	PT-Nozzle holder ITM 1.5" DZ OEM	1
2	PT311-0298		P0497-68871, P0497-615-00001	PT-Nozzle holder KTM 1.5" DXN, Ceramic	1
3	LV332-1993V		D5241993	LV-Nozzle cylindrical, 0.8 mm (5 pk)*	5
	LV332-5470V		D7945470	LV-Nozzle cylindrical, 1.0 mm (5 pk)*	5
	LV332-0001V		D5241982	LV-Nozzle cylindrical, 1.2 mm (5 pk)*	5
	LV332-5434V		D7945434	LV-Nozzle cylindrical, 1.5 mm (5 pk)*	5
	LV332-5452V		D7945452	LV-Nozzle cylindrical, 2.0 mm (5 pk)*	5
	LV332-5517V		D7945517	LV-Nozzle cylindrical, 2.5 mm (5 pk)*	5
	LV332-5518V			LV-Nozzle cylindrical, 3.0 mm (5 pk)*	5
	LV332-1993CPV		D5241993	LV-Nozzle cylindrical, 0.8 mm CP (5 pk)	5
	LV332-5470CPV		D7945470	LV-Nozzle cylindrical, 1.0 mm CP (5 pk)*	5
	LV332-0001CPV		D5241982	LV-Nozzle cylindrical, 1.2 mm CP (5 pk)*	5
LV332-5434CPV		D7945434	LV-Nozzle cylindrical, 1.5 mm CP (5 pk)*	5	
LV332-5452CPV		D7945452	LV-Nozzle cylindrical, 2.0 mm CP (5 pk)*	5	
LV332-5517CPV		D7945517	LV-Nozzle cylindrical, 2.5 mm CP (5 pk)	5	
LV332-5518CPV			LV-Nozzle cylindrical, 3.0 mm CP (5 pk)*	5	
4	PT347-4297		P0492-702-00001, 29100021	PT-Insulating ring outer body	1
	PT311-0001		P0492-702-00002	PT-Insulating ring	1
5	PT347-0101		P0360-100-00500, 46713300100	PT-Sensor head connecting cable OEM	1
	AM326-6453 (not shown)		71366453	AM-O-ring for outer nozzle	1

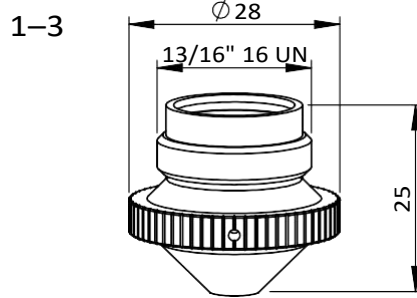
\*Centricut parts available in single packs. To order single packs, remove the 'V' at the end of the part number (e.g. LV123-4567V would be LV123-4567).



## Consumables 易损件

	Centricut P/N	Raysoar P/N	OEM Ref. No.	Description	Pkg qty
1	LV332-1863V		D5241863	LV-Nozzle conical HD, 1.0 mm (5 pk)*	5
	LV332-1982V			LV-Nozzle conical HD, 1.2 mm (5 pk)*	5
	LV332-1862V		D5241862	LV-Nozzle conical HD, 1.5 mm (5 pk)*	5
	LV332-2512V		D5242512	LV-Nozzle conical HD, 1.7 mm (5 pk)*	5
	LV332-1855V		D5241855	LV-Nozzle conical HD, 2.0 mm (5 pk)*	5
	LV332-2513V		D5242513, Z000000539D	LV-Nozzle conical HD, 2.3 mm (5 pk)*	5
	LV332-1856V		D5241856, Z000000563B	LV-Nozzle conical HD, 2.5 mm (5 pk)*	5
	LV332-1857V		D5241857, Z000000540B	LV-Nozzle conical HD, 3.0 mm (5 pk)*	5
	LV332-1877V		D5241877, Z000000564B	LV-Nozzle conical HD, 3.5 mm (5 pk)*	5
	LV332-1878V		D5241878, Z000000565B	LV-Nozzle conical HD, 4.0 mm (5 pk)*	5
	LV332-2531V		D5242531, Z000000566B	LV-Nozzle conical HD, 4.5 mm (5 pk)*	5
	LV332-2535V		D5242535, Z000000567B	LV-Nozzle conical HD, 5.0 mm (5 pk)*	5
	LV332-2536V		D5242536, Z000000568B	LV-Nozzle conical HD, 6.0 mm (5 pk)*	5
	LV332-1863CPV		D5241863	LV-Nozzle conical HD, 1.0 mm CP (5 pk)	5
	LV332-1982CPV			LV-Nozzle conical HD, 1.2 mm CP (5 pk)	5
	LV332-1862CPV		D5241862	LV-Nozzle conical HD, 1.5 mm CP (5 pk)*	5
	LV332-2512CPV		D5242512	LV-Nozzle conical HD, 1.7 mm CP (5 pk)	5
	LV332-1855CPV		D5241855	LV-Nozzle conical HD, 2.0 mm CP (5 pk)*	5
	LV332-2513CPV		D5242513	LV-Nozzle conical HD, 2.3 mm CP (5 pk)*	5
	LV332-1856CPV		D5241856, Z000000563B	LV-Nozzle conical HD, 2.5 mm CP (5 pk)*	5
	LV332-1857CPV		D5241857, Z000000540	LV-Nozzle conical HD, 3.0 mm CP (5 pk)*	5
	LV332-1877CPV		D5241877	LV-Nozzle conical HD, 3.5 mm CP (5 pk)	5
	LV332-1878CPV		D5241878	LV-Nozzle conical HD, 4.0 mm CP (5 pk)	5

\*Centricut parts available in single packs. To order single packs, remove the 'V' at the end of the part number (e.g. LV123-4567V would be LV123-4567).



Consumables 易损件

	Centricut P/N	Raysoar P/N	OEM Ref. No.	Description	Pkg qty
1	LV332-3013		G8040182	LV-Nozzle double w/spring, 3.0 mm/inner 1.3 mm	1
	LV332-3015			LV-Nozzle double w/spring, 3.0 mm/inner 1.5 mm	1
	LV332-0132		G8040132	LV-Nozzle double w/spring, 3.0 mm/inner 2.0 mm	1
	LV332-0013CP		G8040180	LV-Nozzle double w/spring, 2.5 mm/inner 1.3 mm CP	1
	LV332-0180CP		G8040135	LV-Nozzle double w/spring, 2.5 mm/inner 1.5 mm CP	1
2	LV417-0002		29100307	LV-Nozzle double, 1.2 mm	1
	LV417-0003		29100304	LV-Nozzle double, 1.5 mm	1
	LV417-0004		29100307	LV-Nozzle double, 2.0 mm	1
	LV410-0180		29100305D	LV-Nozzle double, 2.5 mm	1
	LV417-0006		29100306	LV-Nozzle double, 3.0 mm	1
	LV417-0008			LV-Nozzle double, 4.0 mm	1
	LV417-0003CP			LV-Nozzle double, 1.5 mm CP	1
	LV417-0004CP			LV-Nozzle double, 2.0 mm CP	1
	LV417-0005CP			LV-Nozzle double, 2.5 mm CP	1
3	LV332-1297		Z000001297	LV-Nozzle double, 4.0 mm/inner 2.0 mm	1
	LV332-1344		Z000001344	LV-Nozzle double, 5.0 mm/inner 2.0 mm	1
	LV332-0131		G8040131	LV-Nozzle double, 3.0 mm/inner 2.0 mm	1

### CO2 Focus Lens



	Raysoar P/N	OEM Ref. No.	Description	Brandname
1	LLVO01-0054	29100054	Lens Men 2.0"Dia/5.0"FL/.380"ET	II-VI
2	LLVO01-5399	29100055	Lens Men 2.0"Dia/7.5"FL/.380"ET	II-VI
3	LLVO01-0061	29100061	Lens Men 2.0"Dia/10.0"FL/.380"ET	II-VI
4	LLVO01-0176	29100115	Lens Men 1.75"Dia/5.0"FL/.354"ET	II-VI
5	LLVO01-6294	29100023	Lens Men 1.5"Dia/5.0"FL/.290"ET	II-VI

	Raysoar P/N	OEM Ref. No.	Description	Brandname
1	LLVO01-0991A	29100054	Lens Men 2.0"Dia/5.0"FL/.380"ET	Raypower
2	LLVO01-5399A	29100055	Lens Men 2.0"Dia/7.5"FL/.380"ET	Raypower
3	LLVO01-0061A	29100061	Lens Men 2.0"Dia/10.0"FL/.380"ET	Raypower
4	LLVO01-0115A	29100115	Lens Men 1.75"Dia/5.0"FL/.354"ET	Raypower
5	LTRO01-1982A	29100023	Lens Men 1.5"Dia/5.0"FL/.290"ET	Raypower

### CO2 Folding Mirror



	Raysoar P/N	OEM Ref. No.	Description	Brandname
1	LLVO02-3010	29100051	Mirror CU TRZ 3.0"Dia/.500"ET	II-VI
2	LLVO02-8680	29100060	Mirror CU PS 3.0"Dia/.500"ET	II-VI

### CO2 Optics for Oscillator CO2



	Raysoar P/N	OEM Ref. No.	Description	Type of Oscillator	Brandname
1	LAM002-2132		Mirror SI PS 2.0"DIA/.200"ET 98.5%R	C2000B,C,E,iB/C3000,B,C,D/C4000A,E,iB/C6000A,B	II-VI
2	LFAO02-1534		Mirror SI TRZ 2.0"DIA/.200" ET	C2000B,C,E,iB/C3000,B,C,D/C4000A,E,iB/C6000A,B	II-VI
3	LFAO02-8825		Mirror SI MMR 2.0"DIA/.200" ET (Internal )	C2000B,C,E,iB/C3000,B,C,D/C4000A,E,iB/C6000A,B	II-VI
4	LFAO03-2030		ZnSe Partial Reflector,1.5"D*0.315"ET	C4000A/C4000E/C4000iA	II-VI
5	LFAO03-3827		ZnSe Partial Reflector,1.5"D*0.315"ET	C6000iA/B C6000E/C4000iB/C4000iC	II-VI
6	LFAO03-4977		ZnSe Partial Reflector,1.5"D*0.315"ET	C2000B/C2000C/C2000E/C2000i-A	II-VI
7	LFAO03-5303		ZnSe Partial Reflector 1.5"D*0.315"ET	C4000i-A AMADA	II-VI
8	LFAO03-6260		ZnSe Partial Reflector 1.5"D*0.315"ET	C2000iB/C2500E/C2000iC	II-VI
9	LFAO03-7295		ZnSe Partial Reflector,1.5"D*0.315"ET		II-VI
10	LFAO04-2644		Ge Partial Reflector 1.5"D*0.315"ET	C2000iB/C2500E/C2000iC	II-VI
11	LFAO04-7088		Ge Partial Reflector 1.5"D*0.315"ET	C6000iA/B C6000E/C4000iB/C4000iC	II-VI
12	LFAO04-7102		Ge Partial Reflector,1.5"D*0.315"ET	C2000B/C2000C/C2000E/C2000i-A	II-VI
13	LFAO04-7692		Ge Partial Reflector,1.5"D*0.315"ET	C4000A/C4000E/C4000iA	II-VI

### Fiber Optics



	Raysoar P/N	OEM Ref. No.	Part Name	Description	Brandname
1	LBYO11-3650D	29100397	Protective Window	Fused Silica PW D36.00 T5.0 AR/AR@1064nmFS MAT	Raypower
2	LBYO11-3650E	29100397	Protective Window	Fused Silica PW D36.00 T5.0 AR/AR@1064nm SAPPHIRE MAT	Raypower
3	LPTO11-3430D	10046110	Protective Window	Fused Silica PW D34.00 T3.0 AR/AR@1064nmFS MAT	Raypower
3	LPTO11-3430E	10046110	Protective Window	Fused Silica PW D34.00 T3.0 AR/AR@1064nm SAPPHIRE MAT	Raypower
2	LBYO01-0422		Focusing Lens ASSY	Fused Silica D36.00 F150 Focus Lens with mount	OPHIR
3	LBYO17-0449		Collimator Lens ASSY	Fused Silica D36.00 F100 Focus Lens with mount	OPHIR

### Air Filter

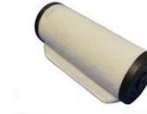
	Raysoar P/N	OEM Ref.No.	Description
1	LLVP07-1014	42191014	LFP-D-MIDI-5Mt
2	LLVP07-1015	42191015	LFMAP-D-MIDI
3	LLVP07-1017	42191017	LFACP-MIDI

### Dust Extraction Unit



	Raysoar P/N	Machine Type	Description
1	LDNP07-0818F	Donaldson	Cartridge Ultra-web DFO UW FR D350*d240mm L660mm
2	LDNP07-1920F	Donaldson	Cartridge Ultra-web DFO UW FR D290*366mm L660mm

## Oscillator



	Raysoar P/N	OEM Ref. No.	Description
1	LFAE18-B315		Matching Box A14B-0082-B315-01
2	LFAE18-D410		TRIGGER ELCTRODE
3	LFAL08-2030	A98L-0001-0619#2030	O-Ring(#2030),Ouput Coupler/Rear Mirror
4	LFAL08-2031	A98L-0001-0619#2031	O-Ring(#2031),Ouput Coupler/Rear Mirror
5	LFAL08-P10	JB-OR4D-P10	Trigger O-Ring
6	LFAL08-P26S	A98L-0003-0004#P26S	SD3.55-ID26.5
7	LFAL08-P38	JB-OR4D-P38	SD3.55-ID37.50-Ring(P38),Ouput Coupler/Rear Mirror
8	LFAL08-P41	JB-OR4D-P41	O-Ring(P41),Ouput Coupler/Rear Mirror
9	LFAL21-0396	A90L-0001-0396	Fan for PSU
10	LFAL21-1608		Cooling Fan 40*40*20mm 24V 0.08A
11	LFAL21-4715	4715MS23TB30	Cooling Fan
12	LFAL21-6D03	A90L-0001-0507#A	9WF0424F6D03
13	LFAL30-4522R	A290-4522-T001	DISCHARGE TUBE
14	LLBL28-SV25	A90L-0001-0425	Vacuum Pump SV25 9550363
15	LFAM06-K329	A04B-0800-K329	Trubo blower oil 200mL
16	LLBM06-SAH	A98L-0040-0093	Oil for Vacuum Pump SA-H 1L
17	LLBM07-2023	A98L-0001-0911	Filter for Vacuum Pump

## Bellows

	Raysoar P/N	OEMRef.No.	Description	Machine Type
1	LLVM12-3002	P690013002	ORION 3015 Z RAIL BELLOWS	ORION 3015
2	LLVM12-GY3015O		Guide Y-Bellows	ORION 3015
3	LLVM12-0198	M7540211	Beam X-Bellows230mmx513mm Max Open:3550mm Min Close:330mm	AXEL 3015SN
4	LLVM12-0211	M7540198-B	Beam X-V Bellows 230mmx513mm Max Open:1980mm Min Close:300mm	AXEL 3015SN
5	LLVM12-GXA3015		X-Axis Guide Rail Guard: W187 H171 Stretch 4000 Compress 380	AXEL 3015SN
6	LLVM12-GXA3015F	M7530214	AXEL 3015SN Front Rail X Bellows 450mmX320mmx170mm Max open:3400mm Min open:390mm	AXEL 3015SN
7	LLVM12-GXA3015MF		AXEL 3015S Front Rail X-Modify Bellows 448mmX310mmX182mm	AXEL 3015S



Optics Accessories

	Raysoar P/N	OEM Ref. No.	Description
1	LOPC15-1260		Focus Lens Stress Detection Kit (Ophir EZ Test)(1.5" lens) (1.5")
	LOPC15-1280		Focus Lens Stress Detection Kit (Ophir EZ Test)(2.0" lens) (2")
2	LTRC15-7388		Mirror Polish .1UM 80ML
3	LRSC15-ALCO-500		Ethanol 99.7%
4	LRSC15-A236		IPA Isopropyl A236 400ml
5	LRSC15-GSBL		Air Duster 85g
6	LRSC15-FCS3		Optics Cleaning Liquid (Imported) 8ml
7	LRSC15-ACET-500		Optics Cleaning Liquid 500ml
8	LRSC15-0714		Knit polyester swabs 20pcs
9	LRSC15-759B		Knit polyester swabs 100pcs
10	LRSC15-9625		Knit polyester swabs 50pcs
11	TR300-6452		Original Tiffan Lens Cleaning Paper (50 sheets)
12	LRSC15-CLPA		Domestic Lens Cleaning Paper (40 sheets)
13	TR300-1115		Lens cleaning cotton pads -80 pcs
14	LRSC15-KT3008		Cleanroom wipers KX KT-3008 9"