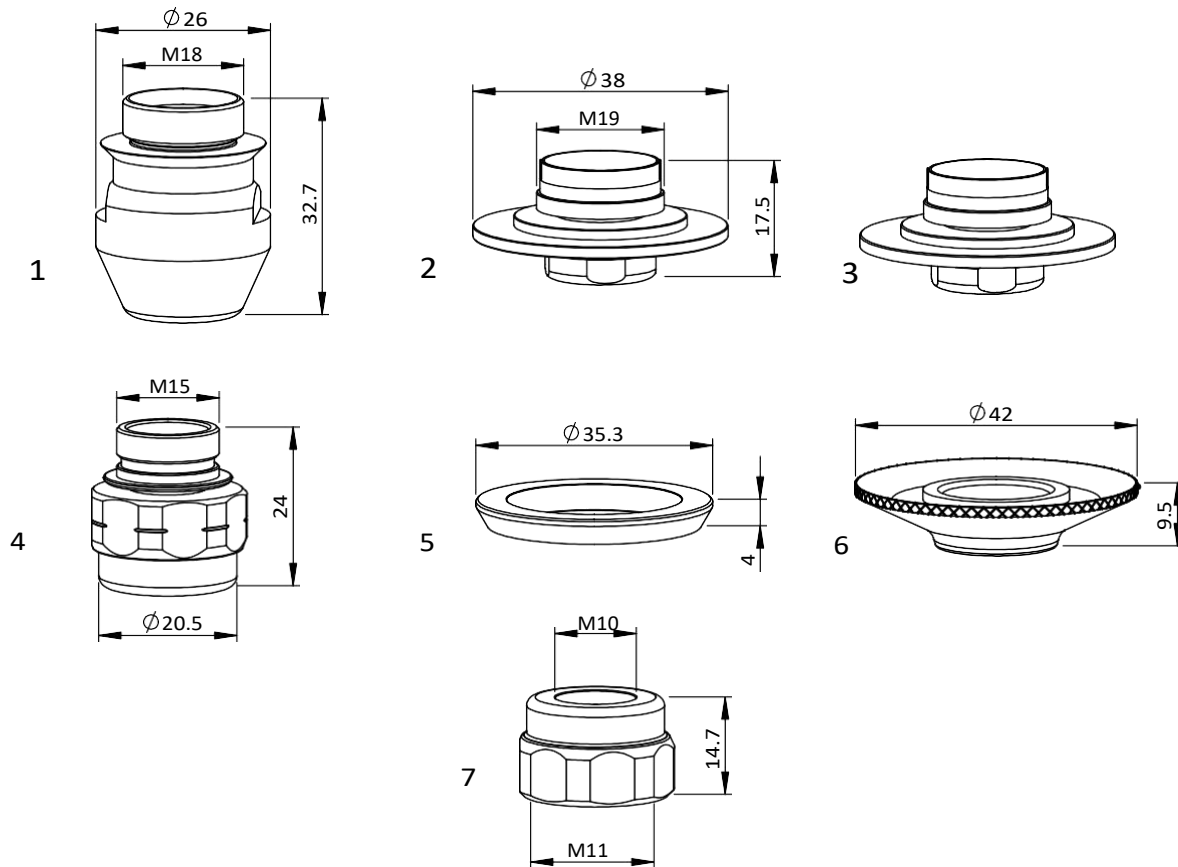

Consumables

	Centricut P/N	Raysoar P/N	OEM Ref. No.	Description	Pkg qty
1	BY310-5057 NEW	LBYC09-5057	10075057	BY-Breakaway	1
2	BY310-4594 NEW		10074594	BY-Push fit Nozzle holder	1
3	BY310-7009 NEW		10077009	BY-Push fit Nozzle holder	1
	BY310-3262 NEW (not shown)		10083262	BY-Push fit Nozzle holder and Breakaway	1
4	BY310-8529X		10048529, HK08	BY-Nozzle, Push Fit 0.8 mm (10 pk)	10
	BY310-5266X		10035266, HK10	BY-Nozzle, Push Fit 1.0 mm (10 pk)	10
	BY310-5267X		10035267, HK12	BY-Nozzle, Push Fit 1.2 mm (10 pk)	10
	BY310-5268X		10035268, HK15	BY-Nozzle, Push Fit 1.5 mm (10 pk)	10
	BY310-5269X		10035269, HK17	BY-Nozzle, Push Fit 1.7 mm (10 pk)	10
	BY310-5270X		10035270, HK20	BY-Nozzle, Push Fit 2.0 mm (10 pk)	10
	BY310-5271X		10035271, HK25	BY-Nozzle, Push Fit 2.5 mm (10 pk)	10
	BY310-5272X		10035272, HK30	BY-Nozzle, Push Fit 3.0 mm (10 pk)	10
	BY310-9744X		10049744, HK35	BY-Nozzle, Push Fit 3.5 mm (10 pk)	10
5	BY310-9747X		10049747, NK10-15	BY-Nozzle double, Push Fit 1.0 mm (10 pk)	10
	BY310-5275X		10035275, NK12-15	BY-Nozzle double, Push Fit 1.2 mm (10 pk)*	10
	BY310-5278X		10035278, NK15-15	BY-Nozzle double, Push Fit 1.5 mm (10 pk)*	10
	BY310-5290X		10035290, NK17-15	BY-Nozzle double, Push Fit 1.7 mm (10 pk)	10
	BY310-5292X		10035292, NK20-15	BY-Nozzle double, Push Fit 2.0 mm (10 pk)	10
	BY310-5294X		10035294, NK25-15	BY-Nozzle double, Push Fit 2.5 mm (10 pk)	10
	BY310-5296X		10035296, NK25-20	BY-Nozzle double, Push Fit 2.5 mm/Inner 2.0 mm (10 pk)	10
	BY310-5298X		10035298, NK30-17	BY-Nozzle double, Push Fit 3.0 mm/Inner 1.7 mm (10 pk)	10
	BY310-5301X		10035301, NK30-20	BY-Nozzle double, Push Fit 3.0 mm (10 pk)	10
	BY310-5302X		10035302, NK35-30	BY-Nozzle double, Push Fit 3.5 mm (10 pk)	10
	BY310-8946X		10068496, NK35-17	BY-Nozzle double, Push Fit 3.5 mm (10 pk)*	10
	BY310-8948X		10068496, NK40-17	BY-Nozzle double, Push Fit 4.0 mm (10 pk)*	10
6	BY310-1682		10039202	BY-Nozzle centering, 2.0 mm	1

Consumables

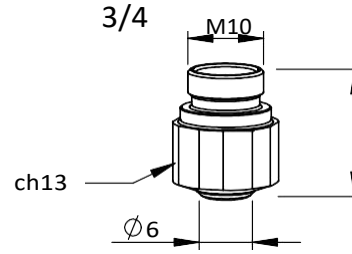
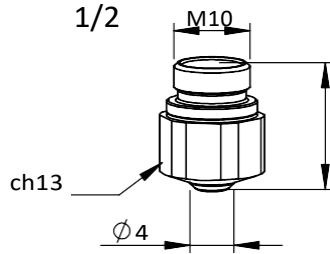
	Centricut P/N	Raysoar P/N	OEM Ref. No.	Description	Pkg qty
7	BY310-6332CP		10066332,35H	BY-Nozzle, 3.5 mm CP	1
	BY310-8494CP		10068494,50H	BY-Nozzle, 5.0 mm CP	1
8	BY310-4700X		10084700	BY-Nozzle F20 DW, Push Fit 2.0 mm (10 pk)	10
	BY310-4701X		10084701	BY-Nozzle F25 DW, Push Fit 2.5 mm (10 pk)	10
	BY310-6333X		10066333	BY-Nozzle F30 DW, Push Fit 3.0 mm (10 pk)	10
	BY310-0091X		10090091	BY-Nozzle F35 DW, Push Fit 3.5 mm (10 pk)	10
	BY310-6331X		10066331	BY-Nozzle F40 DW, Push Fit 4.0 mm (10 pk)	10
	BY310-6330X		10066330	BY-Nozzle F45 DW, Push Fit 4.5 mm (10 pk)	10
	BY310-0092X		10060092	BY-Nozzle F50 DW, Push Fit 5.0 mm (10 pk)	10
	BY310-6053X		10066053	BY-Nozzle F55 DW, Push Fit 5.5 mm (10 pk)	10
	BY310-6069X		10066069	BY-Nozzle F60 DW, Push Fit 6.0 mm (10 pk)	10
	BY310-4700CPX		10084700	BY-Nozzle F20 DW, Push Fit 2.0 mm CP (10 pk)	10
	BY310-4701CPX		10084701	BY-Nozzle F25 DW, Push Fit 2.5 mm CP (10 pk)	10
	BY310-6333CPX		10066333	BY-Nozzle F30 DW, Push Fit 3.0 mm CP (10 pk)	10
	BY310-0091CPX		10090091	BY-Nozzle F35 DW, Push Fit 3.5 mm CP (10 pk)	10
	BY310-6331CPX		10066331	BY-Nozzle F40 DW, Push Fit 4.0 mm CP (10 pk)	10
	BY310-6330CPX		10066330	BY-Nozzle F45 DW, Push Fit 4.5 mm CP (10 pk)	10
	BY310-0092CPX		10060092	BY-Nozzle F50 DW, Push Fit 5.0 mm CP (10 pk)	10
	BY310-6053CPX		10066053	BY-Nozzle F55 DW, Push Fit 5.5 mm CP (10 pk)	10
	BY310-6069CPX		10066069	BY-Nozzle F60 DW, Push Fit 6.0 mm CP (10 pk)	10

*Centricut parts available in single packs. To order single packs, remove the 'X' at the end of the part number (e.g. AM123-4567X would be AM123-4567).



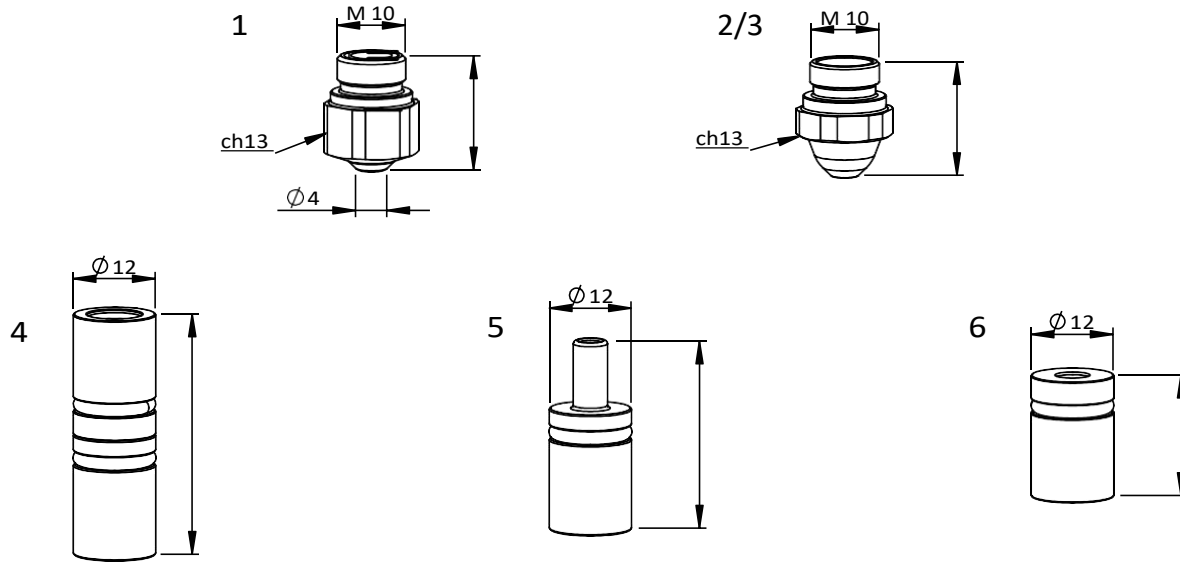
Consumables

	Centricut P/N	Raysoar P/N	OEM Ref. No.	Description	Pkg qty
1	BY328-4061		10034061	BY-Nozzle holder	1
2	BY328-6030		10046030	BY-Nozzle adapter	1
3	BY328-1133	LBYC09-1133T	10051133, mSB-80, 08-12-04-9028	BY-Nozzle adapter MSB	1
4	BY328-4099	LBYC09-4099T	10064099	BY-Nozzle body	1
5	BY328-9016		10046025	BY-Isolator ring, ceramic	1
6	BY310-0398			BY-CL nut	1
7	BY310-1494	LBYC09-1494	10071494, 10083331	BY-Nozzle body threaded	1


Consumables

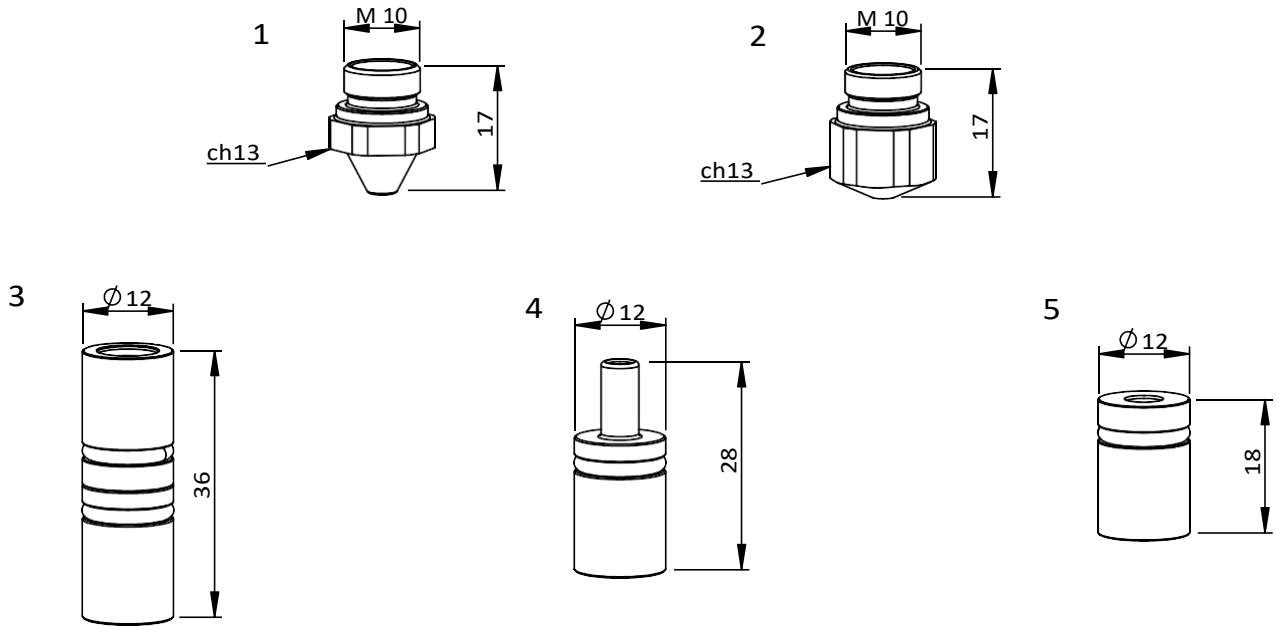
	Centricut P/N	Raysoar P/N	OEM Ref. No.	Description	Pkg qty
1	BY310-4277X		3-04277, HK08	BY-Nozzle HD, 0.8 mm (10 pk)*	10
	BY310-1910X		3-01910, HK10	BY-Nozzle HD, 1.0 mm (10 pk)*	10
	BY310-1911X		3-01911, HK12	BY-Nozzle HD, 1.25 mm (10 pk)*	10
	BY310-1912X		3-01912, HK15	BY-Nozzle HD, 1.5 mm (10 pk)*	10
	BY310-1913X		3-01913, HK17	BY-Nozzle HD, 1.75 mm (10 pk)*	10
	BY310-1910CPX		3-01910, HK10	BY-Nozzle HD, 1.0 mm CP (10 pk)*	10
	BY310-1911CPX		3-01911, HK12	BY-Nozzle HD, 1.25 mm CP (10 pk)*	10
	BY310-1912CPX		3-01912, HK15	BY-Nozzle HD, 1.5 mm CP (10 pk)*	10
	BY310-1913CPX		3-01913, HK17	BY-Nozzle HD, 1.75 mm CP (10 pk)*	10
2	BY310-4273X		3-04273, K08	BY-Nozzle, 0.8 mm (10 pk)*	10
	BY310-1905X		3-01905, K10	BY-Nozzle, 1.0 mm (10 pk)*	10
	BY310-1906X		3-01906, K12	BY-Nozzle, 1.25 mm (10 pk)*	10
	BY310-1907X		3-01907, K15	BY-Nozzle, 1.5 mm (10 pk)*	10
	BY310-1908X		3-01908, K17	BY-Nozzle, 1.75 mm (10 pk)	10
	BY310-1909X		3-01909, K20	BY-Nozzle, 2.0 mm (10 pk)	10
	BY310-4274X		3-04274, K25	BY-Nozzle, 2.5 mm (10 pk)	10
	BY310-1905CPX		3-01905, K10	BY-Nozzle, 1.0 mm CP (10 pk)	10
	BY310-1906CPX		3-01906, K12	BY-Nozzle, 1.25 mm CP (10 pk)	10
	BY310-1907CPX		3-01907, K15	BY-Nozzle, 1.5 mm CP (10 pk)	10
	3	BY310-1914X		3-01914, HK20	BY-Nozzle HD, 2.0 mm (10 pk)*
BY310-1915X			3-03854, HK25	BY-Nozzle HD, 2.5 mm (10 pk)*	10
BY310-6112X			3-06112, HK30	BY-Nozzle HD, 3.0 mm (10 pk)*	10
BY310-0035X			HK35, 10045748	BY-Nozzle HD, 3.5 mm (10 pk)	10
BY310-0040X			HK40	BY-Nozzle HD, 4.0 mm (10 pk)	10
BY310-1914CPX			3-01914, HK20	BY-Nozzle HD, 2.0 mm CP (10 pk)*	10
BY310-1915CPX			3-03854, HK25	BY-Nozzle HD, 2.5 mm CP (10 pk)*	10
BY310-6112CPX			3-06112, HK30	BY-Nozzle HD, 3.0 mm CP (10 pk)*	10
BY310-0040CPX			HK40	BY-Nozzle HD, 4.0 mm CP (10 pk)	10
4	BY310-6058X		3-16058, NK10-15	BY-Nozzle double, 1.0 mm (10 pk)*	10
	BY310-6059X		3-16059, NK12-15	BY-Nozzle double, 1.25 mm (10 pk)*	10
	BY310-6060X		3-16060, NK15-15	BY-Nozzle double, 1.5 mm (10 pk)*	10
	BY310-4317X		3-14317, NK17-15	BY-Nozzle double, 1.75 mm (10 pk)*	10
	BY310-0005X		3-14318, NK20-15	BY-Nozzle double, 2.0 mm (10 pk)*	10
	BY310-0006X		3-14319, NK25-15	BY-Nozzle double, 2.5 mm (10 pk)*	10
	BY310-6256X		3-16256, NK25-20	BY-Nozzle double, 2.5 mm/Inner 2.0 mm (10 pk)*	10
	BY310-6061X		3-16061, NK30-17	BY-Nozzle double, 3.0 mm/Inner 1.75 mm (10 pk)*	10
	BY310-0007X		3-16257, NK30-20	BY-Nozzle double, 3.0 mm (10 pk)*	10
	BY310-3530X		NK35-30	BY-Nozzle double, 3.5 mm/Inner 3.0 mm (10 pk)*	10
	BY310-6058CPX		3-16058, NK10-15	BY-Nozzle double, 1.0 mm CP (10 pk)	10
	BY310-6059CPX		3-16059, NK12-15	BY-Nozzle double, 1.25 mm CP (10 pk)*	10
	BY310-6060CPX		3-16060, NK15-15	BY-Nozzle double, 1.5 mm CP (10 pk)	10
	BY310-4317CPX		3-14317, NK17-15	BY-Nozzle double, 1.75 mm CP (10 pk)	10
	BY310-0005CPX		3-14318, NK20-15	BY-Nozzle double, 2.0 mm CP (10 pk)	10
	BY310-0006CPX		3-14319, NK25-15	BY-Nozzle double, 2.5 mm CP (10 pk)	10
	BY310-6256CPX		3-16256, NK25-20	BY-Nozzle double, 2.5 mm/Inner 2.0 mm CP (10 pk)*	10
	BY310-6061CPX		3-16061, NK30-17	BY-Nozzle double, 3.0 mm/Inner 1.75 mm CP (10 pk)	10
	BY310-0007CPX		3-16257, NK30-20	BY-Nozzle double, 3.0 mm CP (10 pk)	10
	BY310-3530CPX		NK35-30	BY-Nozzle double, 3.5 mm/Inner 3.0 mm CP (10 pk)	10

* Centricut parts available in single packs. To order single packs, remove the 'X' at the end of the part number (e.g. AM123-4567X would be AM123-4567).


Consumables

	Centricut P/N	Raysoar P/N	OEM Ref. No.	Description	Pkg qty
1	BY310-0001X		3-16058, NK10-15	BY-Nozzle double, 1.0 mm (10 pk)	10
	BY310-0002X		3-16059, NK12-15	BY-Nozzle double, 1.25 mm (10 pk)*	10
	BY310-0003X		3-16060, NK15-15	BY-Nozzle double, 1.5 mm (10 pk)*	10
	BY310-0004X		3-14317, NK17-15	BY-Nozzle double, 1.75 mm (10 pk)*	10
	BY310-0001CPX		3-16058, NK10-15	BY-Nozzle double, 1.0 mm CP (10 pk)*	10
	BY310-0002CPX		3-16059, NK12-15	BY-Nozzle double, 1.25 mm CP (10 pk)*	10
	BY310-0003CPX		3-16060, NK15-15	BY-Nozzle double, 1.5 mm CP (10 pk)*	10
	BY310-0004CPX		3-14317, NK17-15	BY-Nozzle double, 1.75 mm CP (10 pk)*	10
	2	BY319-1894X		3-01894, 10	BY-Nozzle, 1.0 mm (10 pk)
BY319-1895X			3-01895, 12	BY-Nozzle, 1.25 mm (10 pk)	10
BY319-1897X			3-01897, 17	BY-Nozzle, 1.75 mm (10 pk)	10
BY319-1898X			3-01898, 20	BY-Nozzle, 2.0 mm (10 pk)	10
BY319-4272X			3-04272, 25	BY-Nozzle, 2.5 mm (10 pk)	10
BY319-4275X			3-04275, H08	BY-Nozzle HD, 0.8 mm (10 pk)	10
BY319-1899X			3-01899, H10	BY-Nozzle HD, 1.0 mm (10 pk)*	10
BY319-1900X			3-01900, H12	BY-Nozzle HD, 1.25 mm (10 pk)	10
BY319-1901X			3-01901, H15	BY-Nozzle HD, 1.5 mm (10 pk)*	10
BY319-1902X			3-01902, H17	BY-Nozzle HD, 1.75 mm (10 pk)*	10
BY319-1903X			3-01903, H20	BY-Nozzle HD, 2.0 mm (10 pk)*	10
BY319-4276X			3-04276, H25	BY-Nozzle HD, 2.5 mm (10 pk)*	10
BY319-0030X			H30	BY-Nozzle HD, 3.0 mm (10 pk)	10
BY319-1899CPX			3-01899, H10	BY-Nozzle HD, 1.0 mm CP (10 pk)	10
BY319-0900CPX			3-01900, H12	BY-Nozzle HD, 1.25 mm CP (10 pk)	10
BY319-4276CPX			3-04276, H25	BY-Nozzle HD, 2.5 mm CP (10 pk)	10
BY319-0030CPX			H30	BY-Nozzle HD, 3.0 mm CP (10 pk)	10
3		BY319-1215X		N12-15	BY-Nozzle double, 1.25 mm (10 pk)
	BY319-1515X		N15-15	BY-Nozzle double, 1.5 mm (10 pk)	10
	BY319-1715X		N17-15	BY-Nozzle double, 1.75 mm (10 pk)	10
	BY319-2015X		N20-15	BY-Nozzle double, 2.0 mm (10 pk)	10
	BY319-2515X		N25-15	BY-Nozzle double, 2.5 mm (10 pk)	10
	BY319-2520X		N25-20	BY-Nozzle double, 2.5 mm (10 pk)	10
	BY319-3020X		N30-20	BY-Nozzle double, 3.0 mm (10 pk)	10
4	BY327-3210		7023207, 7023208	BY-Water connector set	1
5	BY328-3207		7023207	BY-Water connector, male	1
6	BY328-3208		7023208	BY-Water connector, female	1

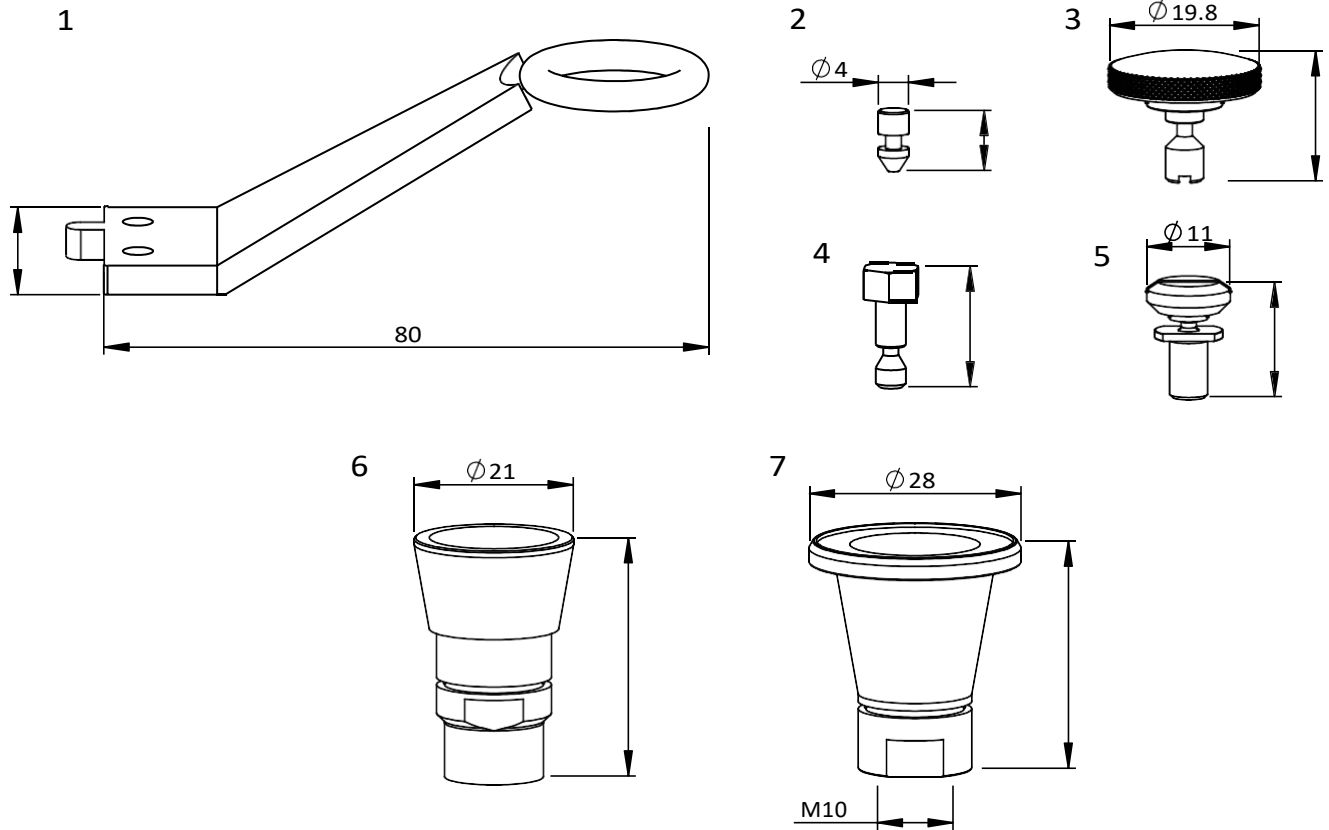
*Centricut parts available in single packs. To order single packs, remove the 'X' at the end of the part number (e.g. AM123-4567X would be AM123-4567).



Consumables

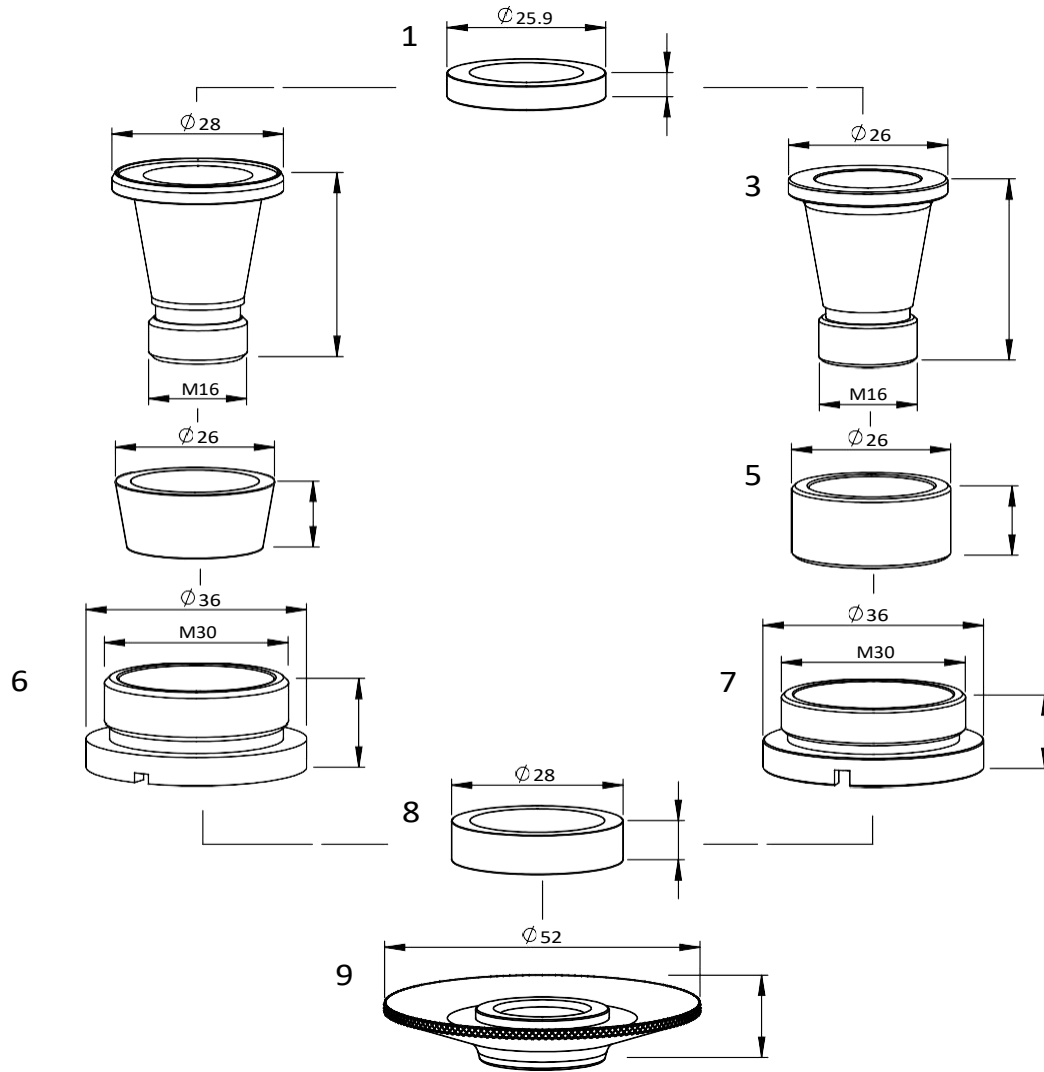
	Centricut P/N	Raysoar P/N	OEM Ref. No.	Description	Pkg qty
1	BY318-1894X		3-01894, 10	BY-Nozzle, 1.0 mm (10 pk)	10
	BY318-1895X		3-01895, 12	BY-Nozzle, 1.25 mm (10 pk)	10
	BY318-1896X		3-01896, 15	BY-Nozzle, 1.5 mm (10 pk)	10
	BY318-1897X		3-01897, 17	BY-Nozzle, 1.75 mm (10 pk)	10
	BY318-1899X		3-01899, H10	BY-Nozzle HD, 1.0 mm (10 pk)	10
	BY318-1900X		3-01900, H12	BY-Nozzle HD, 1.25 mm (10 pk)	10
	BY318-1901X		3-01901, H15	BY-Nozzle HD, 1.5 mm (10 pk)*	10
	BY318-1902X		3-01902, H17	BY-Nozzle HD, 1.75 mm (10 pk)	10
	BY318-1903X		3-01903, H20	BY-Nozzle HD, 2.0 mm (10 pk)*	10
2	BY320-1905X		3-01905, K10	BY-Nozzle, 1.0 mm (10 pk)	10
	BY320-1906X		3-01906, K12	BY-Nozzle, 1.25 mm (10 pk)	10
	BY320-1907X		3-01907, K15	BY-Nozzle, 1.5 mm (10 pk)	10
	BY320-1910X		3-01910, HK10	BY-Nozzle HD, 1.0 mm (10 pk)*	10
	BY320-1911X		3-01911, HK12	BY-Nozzle HD, 1.25 mm (10 pk)*	10
	BY320-1912X		3-01912, HK15	BY-Nozzle HD, 1.5 mm (10 pk)*	10
	BY320-1913X		3-01913, HK17	BY-Nozzle HD, 1.75 mm (10 pk)*	10
	BY320-1914X		3-01914, HK20	BY-Nozzle HD, 2.0 mm (10 pk)*	10
3	BY327-3210		7023207, 7023208	BY-Water connector set	1
4	BY328-3207		7023207	BY-Water connector, male	1
5	BY328-3208		7023208	BY-Water connector, female	1

* Centricut parts available in single packs. To order single packs, remove the 'X' at the end of the part number (e.g. AM123-4567X would be AM123-4567).



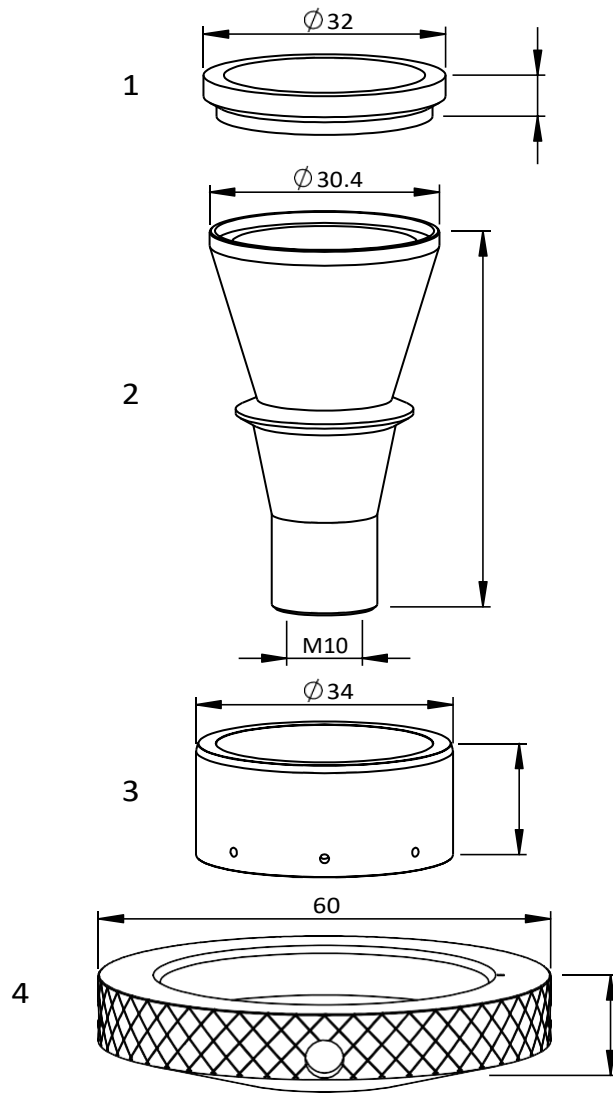
Consumables

	Centricut P/N	Raysoar P/N	OEM Ref. No.	Description	Pkg qty
1	BY328-2015		2-01262	BY-Scanner	1
2	BY328-3137		4-03137	BY-Pin (5 pcs)	5
3	BY328-3136		4-03136	BY-Knurled screw	1
4	BY328-0324		4-00324	BY-Knurled screw	1
5	BY328-9001		3-09001	BY-Cross jet screw	1
6	BY328-2291		3-02291	BY-Nozzle body	1
7	BY328-5497		3-05497	BY-Nozzle body, copper	1
	BY328-0236 (not shown)		3140236	BY-O-ring	1
	BY328-0820 (not shown)		3140820	BY-Lens o-ring	1
	BY328-0004 (not shown)			BY-Screw kit for BY328-3663-C (3 pcs)	3



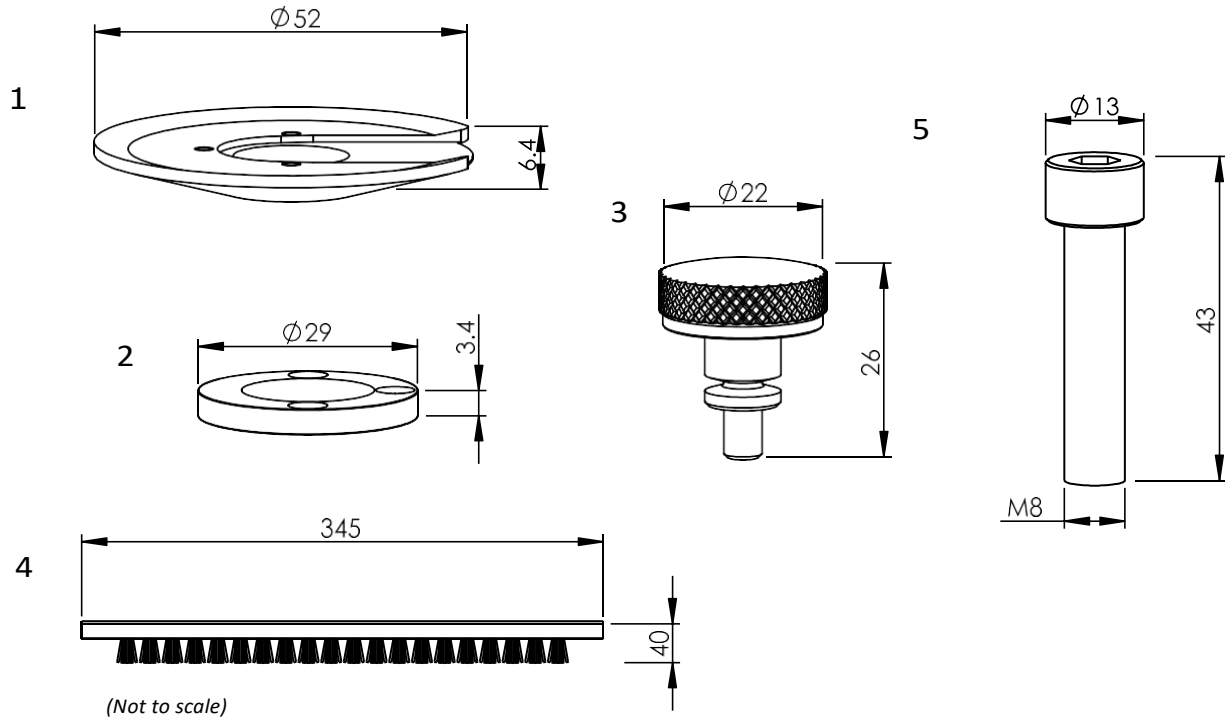
Consumables

	Centricut P/N	Raysoar P/N	OEM Ref. No.	Description	Pkg qty
1	BY328-1642	LBYC09-1642D	4-01642, 4-00569	BY-Insulating disc ceramic	1
2	BY328-8701		2-08701	BY-Nozzle body	1
3	BY359-2930		10032930	BY-Nozzle body	1
4	BY328-1959	LBYC09-1959D	4-01959	BY-Cone ceramic	1
5	BY359-2838		10032838	BY-Insulating ring ceramic	1
6	BY328-1071		3-11071	BY-Fastening nut	1
7	BY359-2839		10032839	BY-Fastening nut	1
8	BY328-9010	LBYC09-9010D	4-09010	BY-Ring ceramic	1
9	BY328-8700		2-08700	BY-signboard	1
	BY328-0005		2-08700	BY-signboard, chrome	1



Consumables

	Centricut P/N	Raysoar P/N	OEM Ref. No.	Description	Pkg qty
1	BY359-3113	LBYC09-3113	3-13113	BY-Insulating ring, small	1
2	BY359-0837		2-10837	BY-Nozzle body	1
3	BY359-3422	LBYC09-3422	3-13422	BY-Insulating ring w/holes, large	1
4	BY359-3110		3-13110	BY-Shield, copper	1



Consumables

	Centricut P/N	Raysoar P/N	OEM Ref. No.	Description	Pkg qty
1	BY359-6035 BY359-0001		3-06035	BY-Shield, copper only BY-Screw kit (3 pcs)	1 3
2	BY328-328-1		3-06035-T	BY-Disc, PTFE*	1
3	BY328-4976		4-04976	BY-Knurled screw	1
4	BY328-6511		2-06511	BY-Brush w/screws	1
5	BY328-3884		333884	BY-Screws, plastic (2 pcs)	2
	Filters – not shown				
	BY328-0020	7004621	D020	BY-Air filter (Deltec)	1
	BY328-9412L	7509412 - LONG	7509412 - long	BY-Air filter (active coal) long, 190 mm	1

*PolyTetraFluoroEthylene is a fluorocarbon-based polymer and is commonly abbreviated PTFE. The Teflon® brand of PTFE is manufactured only by DuPont and is not sold by Hypertherm. Hypertherm purchases other brands of PTFE from various high quality manufacturers.


Optics — Focus Lens for CO2 Laser Cutting

	Raysoar P/N	OEM Ref. No.	Description	Brandname
1	LBYO01-4964	4-00187	Lens Men 1.5"Dia /7.5"FL/.236"ET	II-VI
2	LBYO01-7790	4-00186	Lens Men 1.5"Dia/5.0"FL/.236"E	II-VI
3	LBYO01-0721	4-05095	Lens Men 1.5"Dia /7.5"FL/.354"ET	II-VI
4	LBYO01-5094	4-05094	Lens Men 1.5"Dia/5.0"FL/.354"ET	II-VI
5	LBYO01-7475	4-07475	Lens Men 1.5"Dia /5.0"FL/.354"ET MP5	II-VI
6	LBYO01-7476	4-07476	Lens Men 1.5"Dia/7.5"FL/.354"ET MP5	II-VI

	Raysoar P/N	OEM Ref. No.	Description	Brandname
1	LBYO01-0187A	4-00187	Lens Men 1.5"Dia /7.5"FL/.236"ET	APC
2	LBYO01-0186A	4-00186	Lens Men 1.5"Dia/5.0"FL/.236"E	APC
3	LBYO01-5095A	4-05095	Lens Men 1.5"Dia /7.5"FL/.354"ET	APC
4	LBYO01-5094A	4-05094	Lens Men 1.5"Dia/5.0"FL/.354"ET	APC
5	LBYO01-7475A	4-07475	Lens Men 1.5"Dia /5.0"FL/.354"ET MP5	APC
6	LBYO01-7476A	4-07476	Lens Men 1.5"Dia/7.5"FL/.354"ET MP5	APC


Optics – Folding Mirror for CO2 Laser Cutting

	Raysoar P/N	OEM Ref. No.	Description	Brandname
1	LBYO02-0200	4-00200	Mirror CU MMR 2.362"Dia/0.394"ET Beam expansion unit II	II-VI
2	LBYO02-0203	4-00203	Mirror CU ZPS MMR 1.96"DIA/0.394"ET	II-VI
3	LBYO02-0214	4-00214	Mirror Cu ZPS 2.00"Dia/.390"ET/2.25MCX	II-VI
4	LBYO02-0217	4-00217	Mirror Cu ZPS 2.00"Dia/0.390"ET/3MCC	II-VI
5	LBYO02-0226	4-00226	Mirror Cu PS 1.96"Dia/.394"ET	II-VI
6	LBYO02-0227	4-00227	Mirror CU TRZ 1.9685"Dia/0.3937"ET/99.5%	II-VI
7	LBYO02-1029	4-11029	Mirror CU MMR 50MM Dia/10MMET 80MCC/EG	II-VI
8	LBYO02-1030	4-11030	Mirror CU MMR 50MM Dia/10MMET 80MCC	II-VI
9	LBYO02-2645	10025499	Mirror CU MMR 1.97"Dia/.394"ET/6.7MCC 99.8%	II-VI
10	LBYO02-3972	10013972	Mirror CU MMR 30MM Dia/6MMET 100MCC/SPT	II-VI
11	LBYO02-9329	4-09329	Mirror CU TRZ 1.96"Dia/.394"ET	II-VI
12	LBYO02-9332	4-09332	Mirror CU HRPR 2.36"DIA/.394"ET	II-VI
13	LBYO02-9828	4-09328	Mirror CU PS 1.96"Dia/.394"ET	II-VI
14	LBYO02-1327	90001327	Bypos Mirror	II-VI



Optics for CO2 Laser Cutting

	Raysoar P/N	OEM Ref. No.	Description	Brandname
1	LBY003-1056	90001056/4-11021	Mirror ZNSE OC 1.181"DIA.236"ET 30MCC/30MCX ByLaser 3300/4400	II-VI
2	LBY004-1053	90001053	Mirror GE RM 1.181"Dia/.236"ET 30MCC/PO ByLaser 3300/4400	II-VI
3	LBY003-0346	90000346	Mirror ZNSE OC 1.181"DIA.236"ET PO/PO ByLaser 6000	II-VI
4	LBY004-2819	90000344	Mirror GAAS RM.1.181" DIA..236"ET PO/PO 99.6%/AR	II-VI
5	LBY004-9336	4-09336	Mirror GE RM 1.181"Dia/.236"ET/15MCC ByLaser 3300	II-VI
6	LBY003-3122	4-03122	Mirror ZNSE OC 1.0"Dia/0.236"ET/30MCC/30MCX ByLaser 3300	II-VI
7	LBY004-3118	4-03118	Mirror GE RM 1.0"Dia/0.236"ET/15MMC/Plano ByLaser 3300/4400	II-VI
8	LBY002-0201	4-00201	Mirror CU EG 50.0mm DIA 10.0mm THK ByLaser 3300/4400/6000	II-VI
9	LBY003-1903	10031903	Mirror ZNSE OC 1.181"DIA.236"ET 50MCC/50MCX	II-VI



Optics for Fiber Laser Cutting

	Raysoar P/N	OEM Ref. No.	Part Name	Description	Brandname
1	LBY011-3650	10045746	Protective Window	Fused Silica PW D36.00 T5.0 AR/AR@1064nm	Raypower
2	LBY001-0422		Focusing Lens ASSY	Fused Silica D36.00 F150 Focus Lens with mount	OPHIR
3	LBY017-0449		Collimator Lens ASSY	Fused Silica D36.00 F100 Focus Lens with mount	OPHIR



1



2



3



4



5

Air Filter

	Raysoar P/N	OEM Ref.No.	Description
1	BY328-0020	7004621	Air filter(Deltec) D020
2	LBYP07-6011	10006011	Ultrapac 2000 Type 0035 (Air Supply unit) (2 years maintenance pack)
3	LBYP07-9414	7509414	Filter element filter 5um C.33-62 Cellpor
4	LBYP07-9412D	7509412	Fine element filter active coal(Air Supply unit)
5	LBYP07-1743D	501743	Fine element filter V38/185 Papier-Al 0,3um



Dust Extraction Unit

	Raysoar P/N	Machine Type	Description
2	LDNP07-0818F	P190818	Ultra-web FR 350*240*660mm Round Fire retardant
5	LDNP07-1920F	P191920	Cartridge Ultra-web DFO UW FR D290*366mm L660mm Oval-shaped



1



2



3



4



5

Oscillator

	Raysoar P/N	OEM Ref. No.	Description
1	BY328-2456	502456	Vacuum pump filter (4000W Resonator)
2	LBYM07-4753	7001341	Vacuum pump filter (3000w Resonator)
3	LLBM06-GS32-2	1973601/10051933	Vacum pump oil LVO 120 (原 GS32) 2L
4	LBYL06-4102	10051931	Turbo blower oil TST oil 22 600mL 896112/LVO 260
5	LBYM06-4216	504216	GB LUBE 10 BECK GREASE 6g
6	LBYE18-0676R	90000676	Power supply repair MFM235
7	LBYE18-DCM815R	10012199	Power supply repair DCM815
8	LLBL28-SV16B	7001132	Vacuum pump



1



2



3

Lubrication Grease

	Raysoar P/N	OEM Ref. No.	Description
1	LBYM06-1661	1971661,1971660	MOTOREX 190 EP 400g
2	LBYM06-1850	8861850	MOTOREX PROWELD 264 5L
3	LBYM06-3610-1	10090693,1973609, 1973610	Molykote DX Paste
4	LDCM06-5677	10025677,8600143	DOW CORNING High vacuum grease 150g



1



2



3



4



5



6



7



8



9

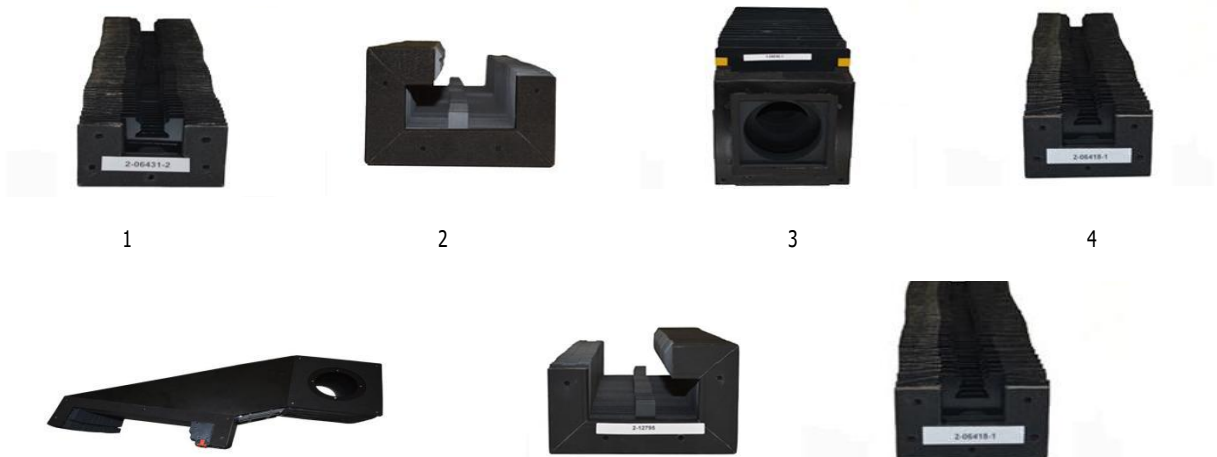
Cooling Unit

	Raysoar P/N	OEM Ref. No.	Description
1	BY328-0145	8820145	Water filter 60µm
2	BY328-0154	8820154	Water filter 140/MC
3	LBYW07-0073	10070073	Water Filter insert
4	LBYW07-0075	10070075	Water Filter insert
5	LBYW07-5004	10005004	PENTEK (USFilter) R50-BB
6	LBYW07-6830	10026830	Water filter 60µm
7	LBYW07-7022	10057022	Filter insert
8	LBYW07-7023	10057023	Demineralization cartridge
9	LBYW07-6379	10016379	Patrone MB 20"BB
10	LBYE24-0016		ef cooling display panel



Pneumatic Component

	Raysoar P/N	OEM Ref. No.	Description
1	LBYG07-3242	10033242	Filter insert
2	LBYP10-0312	7010312	pressure regulating valve for O2
3	LBYP10-0345	7010345	pressure regulating valve for N2



5



8

6



9

7



10



11

Bellows

	Raysoar P/N	OEMRef.No.	Description	Machine Type
1	LBYM12-6431	2-06431-2	X AXIS RAIL BELLOWS LMAX=4660	ByJin/BySprint 3015/4020
2	LBYM12-8110	10038110/2-12410	X AXIS RAIL BELLOWS	ByJin/BySprint 3015/4020
3	LBYM12-7710	1-07710-5	X AXIS BELLOWS OPTICAL PATH	ByJin/BySprint 3015/4020
4	LBYM12-6432AF	2-06432,2-06418-1	Y AXIS RAIL BELLOWS	ByJin/BySprint 3015/4020
5	LBYM12-8659AF	1-08659	Y BEAM/RAIL COMBO BELLOWS	ByJin/BySprint 3015/4020
6	LBYM12-2795	2-12795	X AXIS RAIL BELLOWS	BYSPEED 3015/4020
7	LBYM12-6418	2-06418-1	X AXIS RAIL BELLOWS LMAX=3700	BYSPEED 3015/4020
8	LBYM12-9598	1-09598-2	X AXIS RAIL BELLOWS	BYSPEED 3015/4020
9	LBYM12-7623	1-07623-2	X AXIS BELLOWS OPTICAL PATH	BYSPEED 3015/4020
10	LBYM12-9451	1-09451-1	Y AXIS RAIL BELLOWS	BYSPEED 3015/4020
11	LBYM12-8992	1-08992-2	Y AXIS BELLOWS OPTICAL PATH	BYSPEED 3015/4020